

**LAVATORY DRAIN
K-7702**

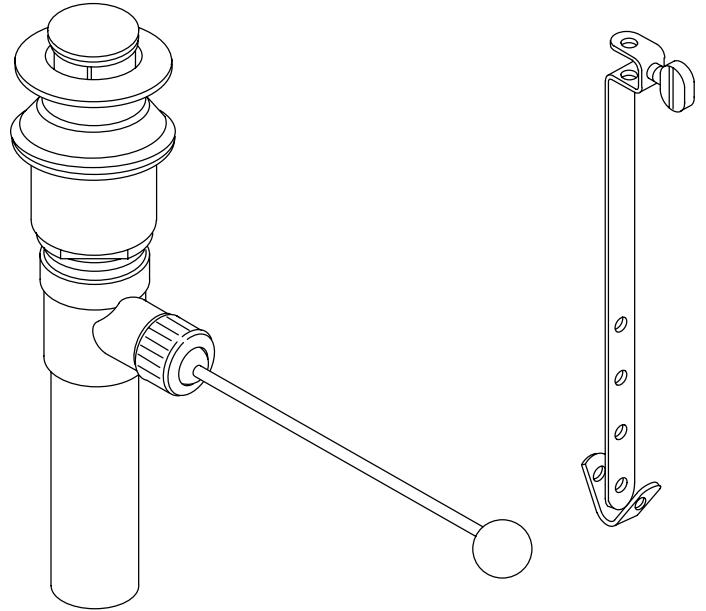
FEATURES

- Brass construction
- Intended for lavatory installations without an overflow
- Includes optional connecting linkage for countertop installations
- 1-1/4" connection
- Brass tailpiece

CODES/STANDARDS APPLICABLE

Specified model meets or exceeds the following:

- ASME/ANSI A112.18.1M
- IAPMO/UPC



COLORS/FINISHES

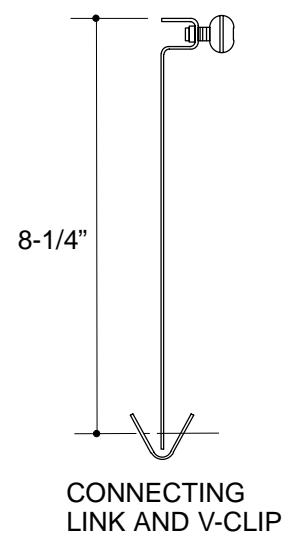
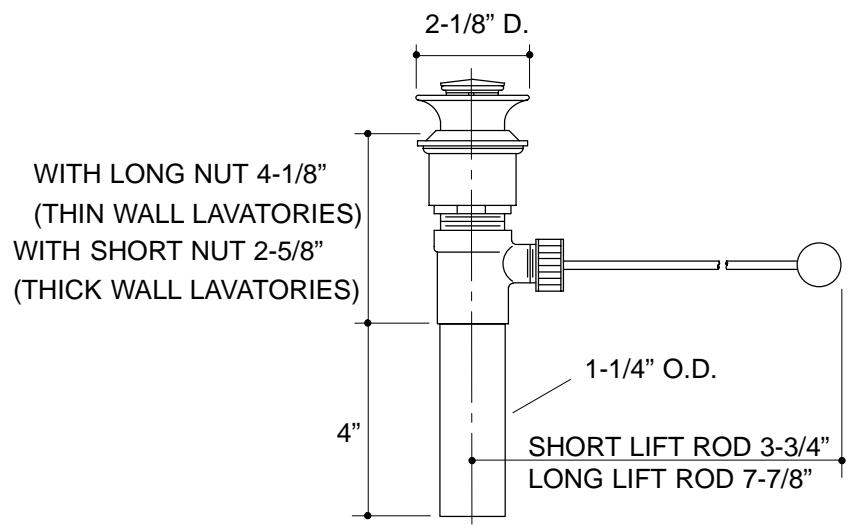
- CP Polished Chrome
- PB Polished Brass

SPECIFIED MODEL:

Model	Description		
K-7702	Lavatory Drain	<input type="checkbox"/> CP	<input type="checkbox"/> PB

PRODUCT SPECIFICATION:

Lavatory drain shall be of brass construction. Drain is intended for lavatory installations without an overflow. Product shall feature cast brass body, brass tailpiece, and 1-1/4" O.D. connection. Product shall include optional connecting linkage for countertop installations. Drain shall be Kohler Model K-7702-_____.



516

PRODUCT DIAGRAM