

Ordering Information

Applicable product:		
Right outlet	K-12106-H	shown
Left outlet	K-12105-H	not shown
Accessories/hardware:		
Drain	K-7161-AF	recommended
Jet trim kit	K-9696	required
Mastershower™ Handshower	K-9500	recommended*
Revival™ valve trim	K-T16117-4A	recommended
Rite-Temp™ valve	K-304-K	recommended
Bath spout	K-6855	recommended
Dome light	K-1570	optional
Focal bypass bath door OR	K-701026	optional
Forum™ bypass bath door OR	K-703012	
Helios™ bath door OR	K-704010	
Helios™ bath screen	K-704012	
* Dimensions illustrated		

Requirements Electrical Service

Dedicated circuit required, protected with Class A Ground-Fault Circuit-Interrupter (GFCI):	
Pump/control	120 V, 20 A, 60 Hz

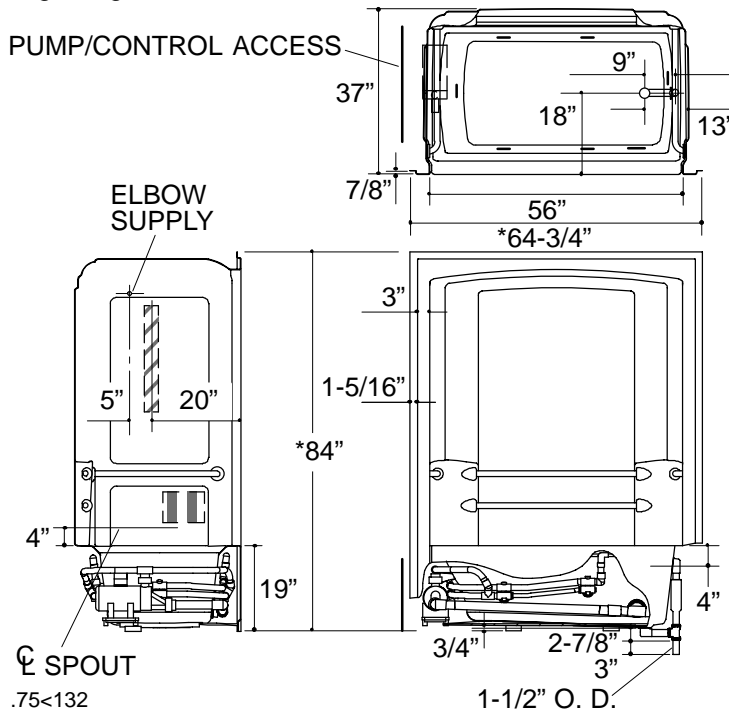
Product Information

ADA compliant				
Fixture*:	basin area	top area	weight	
Bathing well	44" x 23"	51" x 26"	265 lbs.	
	water depth	capacity		
To overflow	13"	55 gals.		
Configuration			1-piece	
Drain Outlet			2-1/4" D.	
* Approximate measurements for comparison only.				
Pump:	high HP	low HP	V	Hz
2-speed	1	1/8	120	60
			A	
			16.5	

Installation Notes

Fixture not drilled for supply fittings.
Shimming may be required to level fixture.
For optimum accessibility, specify faucets and fittings to install and operate within the control area shown.
Pump is supplied with a grounding type plug-in cord. Locate the outlet behind the whirlpool, and within 24" of the pump.

**Refer to installation instructions included with fixture before beginning installation.



Roughing-In Notes		
Fixture conforms to ANSI Standard Z124.2. All dimensions are nominal.		
*Recess opening must be 65" x 84-1/4".		
No change in measurements if connected with drain illustrated.		
Minimum access panel:		
Pump/control	20" W x 15" H	required
Stud opening tolerance (+ 1/4" - 0"). When fire rated wall is specified, dimensions are to the inside of the wall board. Some shimming between stud frame and fixture may be required.		
Provide clear floor space per ANSI A117.1, and as shown.		
	Represents control area for faucets.	
	Represents 24" wall mount side bar.	
	Represents clear floor space for 36" x 60" side entrance.	
	Represents clear floor space for 48" x 60" front entrance.	