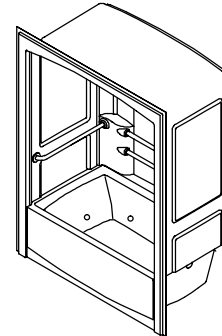


WHIRLPOOL AND SHOWER MODULE

K-12105-H, K-12106-H



ADA

FEATURES

- 57" x 36-5/8" x 80-1/2" inside finished dimensions
- ADA compliant
- 64-3/4" x 37" x 84" rough-in dimensions
- Removable, multi-position seat
- Slip-resistant floor
- Nylon grab bars (-HN), grey bars supplied with White and Biscuit modules, White bars supplied with others
- Brushed stainless steel grab bars (-HC)
- Polished stainless steel grab bars (-HP)
- Acrylic
- Left or right drain
- System II - 1 hp 2 speed pump with integral heater & electronic switch
- 6 Flexjets
- UL Listed
- LESS ALL TRIM
- Integral soap ledges
- Pump is supplied with a grounding-type plug-in cord

CODES/STANDARDS APPLICABLE

Specified model meets or exceeds the following:

- ANSI Z124.2
- ADA
- CABO/ANSI A117.1
- IAPMO/UPC
- Underwriters Laboratories (UL)
- State of Massachusetts

SPECIFIED MODEL:

Model	Description	Module Colors/Finishes	
K-12105-HN	Module with drain at left (nylon grab bars)	<input type="checkbox"/> 0 White	<input type="checkbox"/> Other_____
K-12105-HC	Module with drain at left (brushed stainless steel grab bars)	<input type="checkbox"/> 0 White	<input type="checkbox"/> Other_____
K-12105-HP	Module with drain at left (polished stainless steel grab bars)	<input type="checkbox"/> 0 White	<input type="checkbox"/> Other_____
K-12106-HN	Module with drain at right (nylon grab bars)	<input type="checkbox"/> 0 White	<input type="checkbox"/> Other_____
K-12106-HC	Module with drain at right (brushed stainless steel grab bars)	<input type="checkbox"/> 0 White	<input type="checkbox"/> Other_____
K-12106-HP	Module with drain at right (polished stainless steel grab bars)	<input type="checkbox"/> 0 White	<input type="checkbox"/> Other_____

Required Accessories

K-9696	Jet Trim Kit	<input type="checkbox"/> CP	<input type="checkbox"/> PB	<input type="checkbox"/> Other_____
--------	--------------	-----------------------------	-----------------------------	-------------------------------------

Recommended and optional accessories on Page 2

PRODUCT SPECIFICATION:

The whirlpool and shower module inside finished dimensions shall be 57" in length, 36-5/8" in width, and 80-1/2" in height. Module shall be ADA compliant. Module rough-in dimensions shall be 64-3/4" in length, 37" in width, and 84" in height. Module shall have a removable, multi-position seat. Module shall have a slip-resistant floor. Module shall have nylon grab bars (-HN), (grey bars supplied with White and Biscuit modules, white bars supplied with others), brushed stainless steel grab bars (-HC), or polished stainless steel grab bars (-HP). Module shall be made of acrylic. Module shall have a drain left or right. Module shall have System II, with 6 Flexjets, 1 hp 2-speed pump, integral heater, and electronic switch. Module shall be UL Listed. Module shall be less all trim. Module shall have integral soap ledges. Module pump shall be supplied with a grounding-type plug-in cord. Module shall be Kohler Model K-_____-_____-_____.

Recommended Accessories

K-7161-AF	Drain	<input type="checkbox"/> CP	<input type="checkbox"/> PB	<input type="checkbox"/> Other_____
-----------	-------	-----------------------------	-----------------------------	-------------------------------------

Optional Accessories

K-1570	Dome light	<input type="checkbox"/> NA		
K-701026	Focal bypass bath door* OR	<input type="checkbox"/> SH	<input type="checkbox"/> BH	
K-703012	Forum™ bypass bath door* OR	<input type="checkbox"/> SH	<input type="checkbox"/> BH	<input type="checkbox"/> O White
K-704010	Helios™ bath door* OR	<input type="checkbox"/> SH	<input type="checkbox"/> BH	<input type="checkbox"/> O White
K-704012	Helios™ bath screen*	<input type="checkbox"/> SH	<input type="checkbox"/> BH	<input type="checkbox"/> O White

* Refer to Fixtures Price Book for glass options.

REQUIRED ELECTRICAL SERVICE

Dedicated circuit required, protected with Class A Ground-Fault Circuit-Interrupter (GFCI):	
Pump/control	120 V, 20 A, 60 Hz

INSTALLATION NOTES

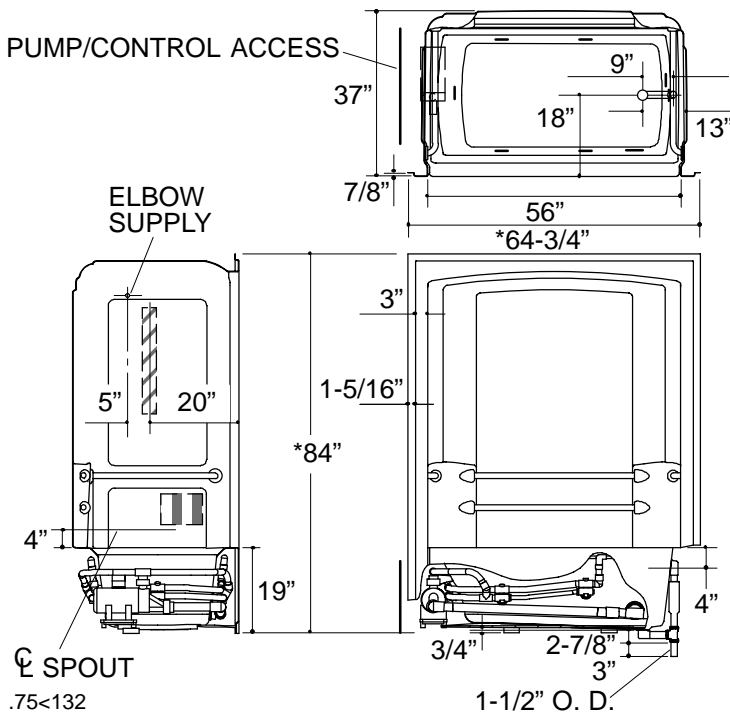
Pump is supplied with a grounding type plug-in cord. Locate the outlet behind the whirlpool, and within 24" of the pump. Fixture not drilled for supply fittings.

Shimming may be required to level fixture.

For optimum accessibility, specify faucets and fittings to install and operate within the control area shown.

PRODUCT INFORMATION

ADA compliant					
Fixture*:	basin area	top area	weight		
Bathing well	44" x 23"	51" x 26"	265 lbs.		
	water depth	capacity			
To overflow	13"	55 gals.			
Configuration					1-piece
Drain Outlet					2-1/4" D.
* Approximate measurements for comparison only.					
Pump:	high HP	low HP	V	Hz	A
2-speed	1	1/8	120	60	16.5



Roughing-In Notes

*Recess opening must be 65" x 84-1/4".		
No change in measurements if connected with drain illustrated.		
Minimum access panel:		
Pump/control	20" W x 15" H	required
Stud opening tolerance (+ 1/4" - 0"). When fire rated wall is specified, dimensions are to the inside of the wall board. Some shimming between stud frame and fixture may be required.		
Provide clear floor space per ANSI A117.1, and as shown.		
	Represents control area for faucets.	
	Represents 24" wall mount slide bar.	
	Represents clear floor space for 36" x 60" side entrance.	
	Represents clear floor space for 48" x 60" front entrance.	

PRODUCT DIAGRAM