

Ordering Information

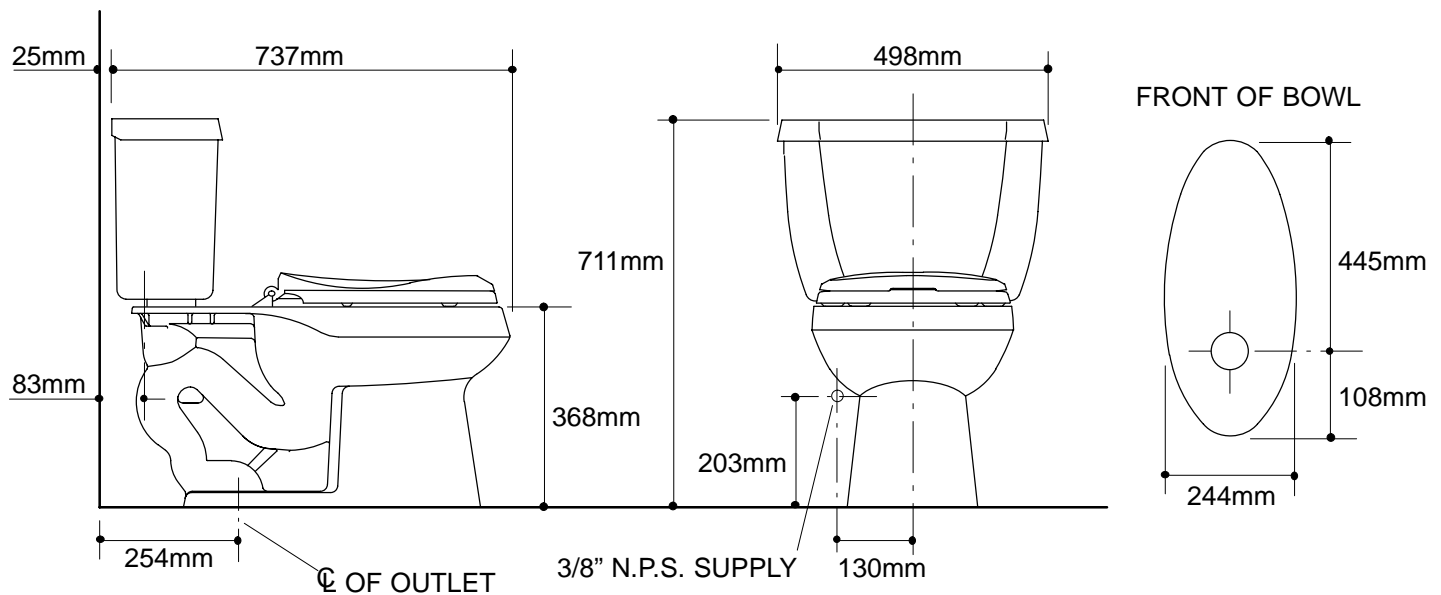
Applicable toilet:		
With standard tank	K-3432-X	shown
With insuliner	K-3432-XU	not shown
Accessories/hardware:		
3/8" supply	K-7637	recommended
Floor bolts (pr.)	21401	recommended

Product Information

Fixture:	
Configuration	2-piece, elongated
Litres per flush	6 litres
Passageway	51mm
Water depth from rim	152mm
Seat post hole centers	140mm
Included Components:	
Bowl	K-4273
Tank and seat	K-4620-XE
Tank cover	84635
Peacekeeper assembly	82993

Roughing-In Notes

Fixture dimensions are nominal and conform to tolerances in ASME Standard A112.19.2M.



1.15>116

K-3432-X Wellworth™ Toilet
116010-1M-AA (-)