

Ordering Information

| | | |
|--------------------------------------|-------------|--------------|
| Applicable product: | | |
| Right outlet | K-12204 | shown |
| Left outlet | K-12203 | not shown |
| Accessories/hardware: | | |
| Drain | K-7161-AF | recommended |
| Mastershower™ Handshower | K-9500 | recommended* |
| Revival™ valve trim | K-T16117-4A | recommended |
| Rite-Temp™ valve | K-304-K | recommended |
| Bath spout | K-6855 | recommended |
| Dome light | K-1570 | optional |
| Focal bypass bath door OR | K-701026 | optional |
| Forum™ bypass bath door OR | K-703012 | |
| Helios™ bath door OR | K-704010 | |
| Helios™ bath screen | K-704012 | |
| * Dimensions illustrated | | |

Product Information

| | | | |
|---|--------------|--------------|---------|
| ADA compliant | | | |
| Fixture*: | basin area | top area | weight |
| Bathing well | 1118 x 584mm | 1295 x 660mm | 91 Kg. |
| | water depth | capacity | |
| To overflow | 330mm | 208 litres | |
| Configuration | | | 3-piece |
| Drain Outlet | | | Ø57mm |
| * Approximate measurements for comparison only. | | | |

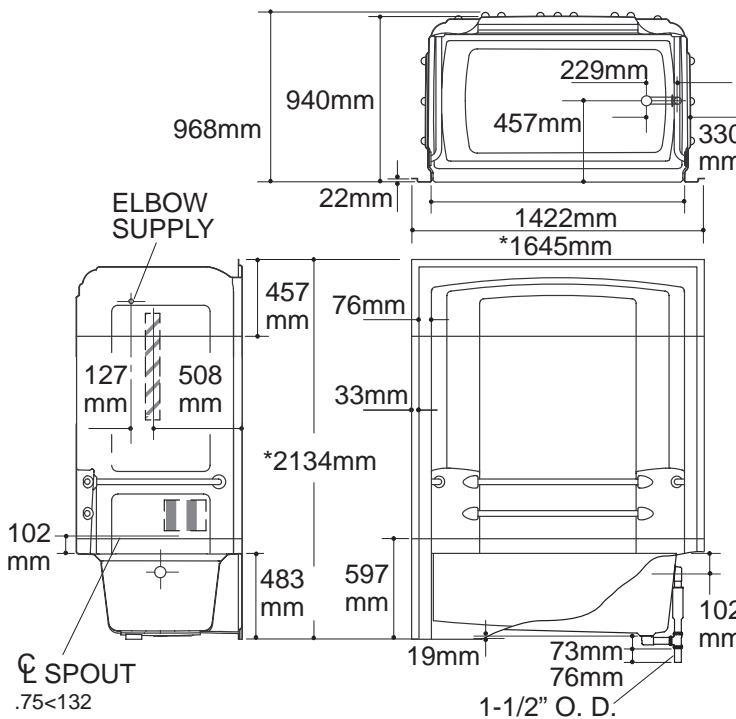
Installation Notes

Refer to installation instructions included with fixture before beginning installation.

Fixture not drilled for supply fittings.

Shimming may be required to level fixture.

For optimum accessibility, specify faucets and fittings to install and operate within the control area shown.



Roughing-In Notes

Fixture conforms to ANSI Standard Z124.2. All dimensions are nominal.

*Recess opening must be 1651 x 2140mm.

No change in measurements if connected with drain illustrated.

Stud opening tolerance (+ 6mm – 0mm). When fire rated wall is specified, dimensions are to the inside of the wall board. Some shimming between stud frame and fixture may be required.

Provide clear floor space per ANSI A117.1, and as shown.

| | |
|--|--|
| | Represents control area for faucets. |
| | Represents 610mm wall mount slide bar. |
| | Represents clear floor space for 914 x 1524mm side entrance. |
| | Represents clear floor space for 1219 x 1524mm front entrance. |