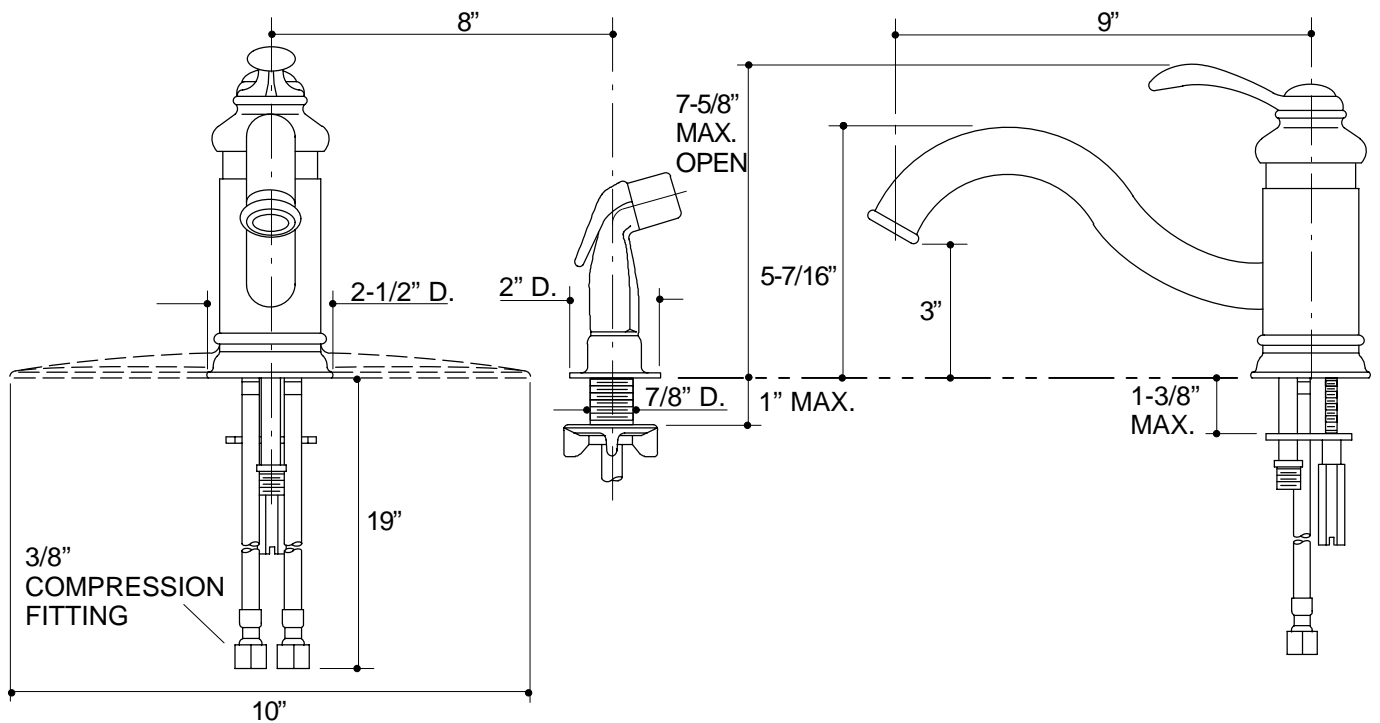


**Ordering Information**

Applicable faucet:	
With 10" escutcheon plate less spray	K-12171
With 10" escutcheon plate and spray	K-12172
With single hole escutcheon ring less spray	K-12175
With single hole escutcheon ring and spray	K-12176
<b>ADA</b> Lever handle is ADA compliant	



14

K-12171, K-12172, K-12175, K-12176 Fairfax Sink Faucet  
 116129-1-BA (-)

**NOTES:**