

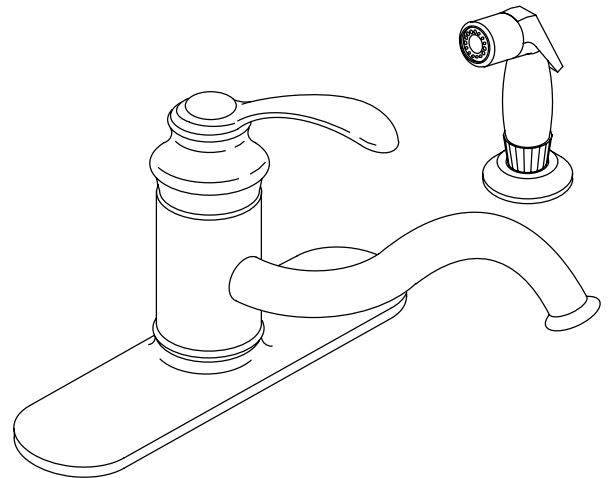
**KITCHEN SINK FAUCET  
K-12171**

**ALSO K-12172, K-12175, K-12176**

**ADA**

**FEATURES**

- Metal construction
- One-piece self-contained ceramic disc valve allows both volume and temperature control
- Temperature memory allowing faucet to be turned on and off at any temperature setting
- High-temperature limit stop
- 9" swing spout
- 2.2 gallons per minute
- Lever handle
- Available with single-hole escutcheon ring or 10" escutcheon plate for three-hole installations
- Available with or without white handspray



**CODES/STANDARDS APPLICABLE**

Specified model meets or exceeds the following:

- ASME/ANSI A112.18.1M
- CSA B125
- Energy Policy Act of 1992
- IAPMO/UPC
- NSF 61

**COLORS/FINISHES**

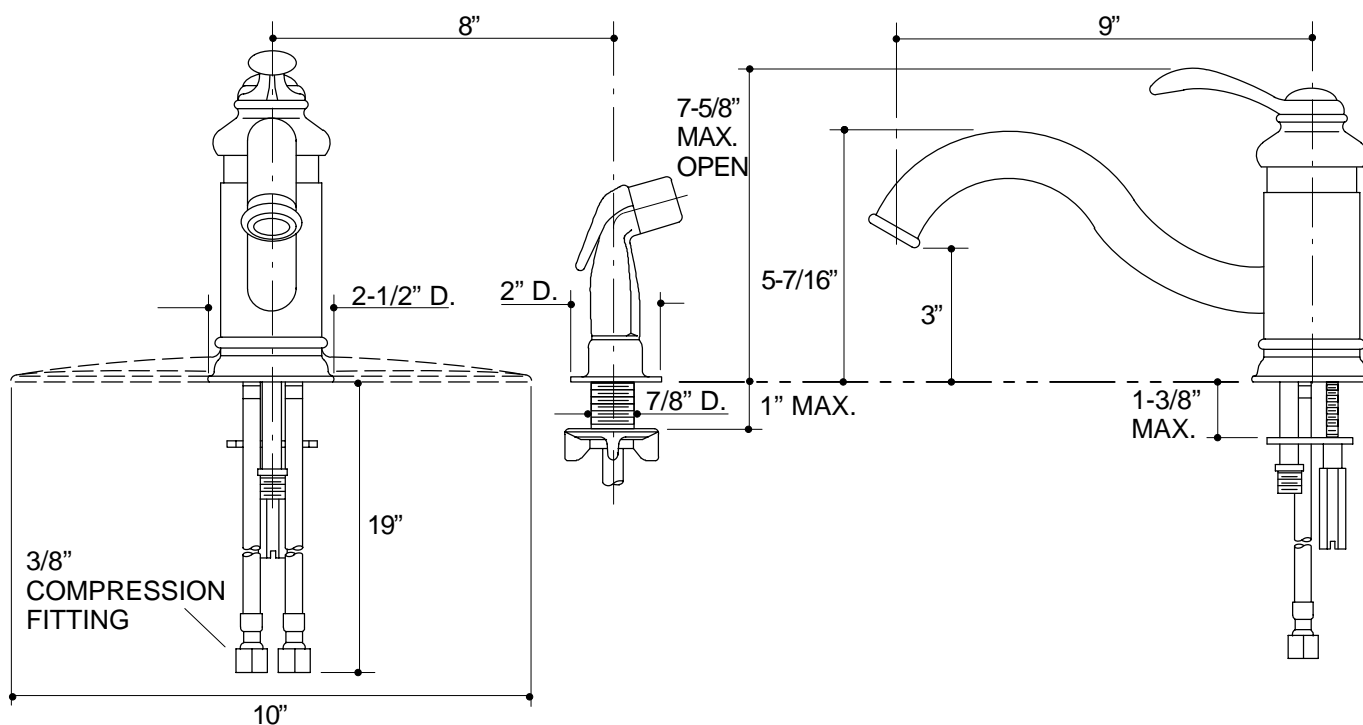
- CP Polished Chrome
- Other Refer to Faucets Price Book for additional finishes

**SPECIFIED MODEL:**

Model	Description		
K-12171	With 10" Escutcheon Plate; Less Handspray	<input type="checkbox"/> CP	<input type="checkbox"/> Other_____
K-12172	With 10" Escutcheon Plate; With Handspray	<input type="checkbox"/> CP	<input type="checkbox"/> Other_____
K-12175	With Single-Hole Escutcheon Ring; Less Handspray	<input type="checkbox"/> CP	<input type="checkbox"/> Other_____
K-12176	With Single-Hole Escutcheon Ring; With Handspray	<input type="checkbox"/> CP	<input type="checkbox"/> Other_____

**PRODUCT SPECIFICATION:**

Single-control kitchen sink faucet shall be of metal construction. The valve shall be a one-piece, self-contained ceramic disc valve, and allows both volume and temperature control. The valve shall feature temperature memory, allowing the faucet to be turned on and off at any temperature setting, and includes a high-temperature limit stop. Product shall include 9" swing spout, and lever handle. Optional features shall be single-hole escutcheon ring or 10" escutcheon plate, and white handspray. Faucet shall be Kohler Model K-\_\_\_\_\_-\_\_\_\_\_.



14

**PRODUCT DIAGRAM**