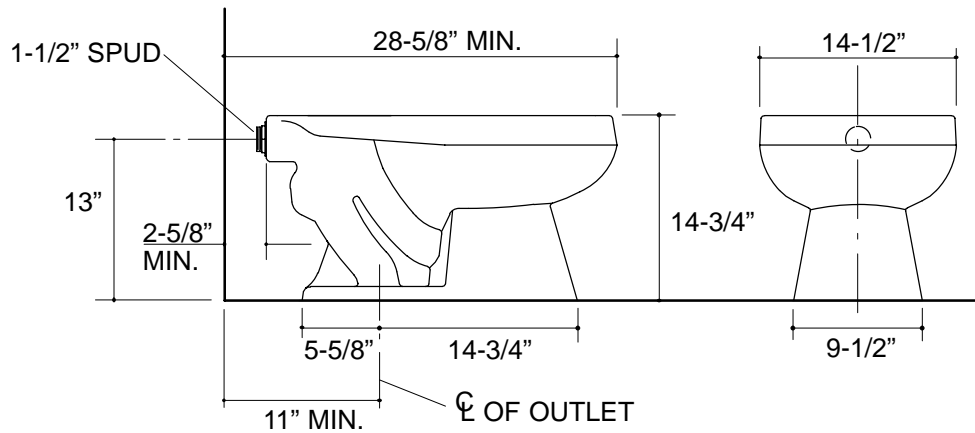


Ordering Information

Applicable product:		
Standard toilet	K-4349	shown
Toilet with bedpan lugs	K-4349-L	not shown
Accessories/hardware:		
Floor bolts (pr.)	21401	recommended
Seat	K-4670-C	recommended

Product Information

Fixture:	
Configuration	Rear spud, elongated
Gallons per flush	1.6 gallons*
Spud size	1-1/2"
Passageway	2-1/4"
Water area	11-3/8" x 10-3/8"
Water depth from rim	6"
Seat post hole centers	5-1/2"
* Designed to flush with 1.6 gallons of water when installed with a 1.6 gallon flush valve.	
Included Components:	
Spud	18357
Bolt caps (pr.)	52048
Flush valve requirements: Refer to manufacturer and local codes.	



Roughing-In Notes

Fixture dimensions are nominal and conform to tolerances in ASME Standard A112.19.2M.