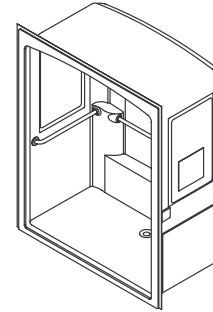


WHEELCHAIR SHOWER STALL

K-12102

ADA



FEATURES

- 61-5/8" x 37-3/8" x 81-3/8" inside finished dimensions
- ADA compliant
- 69-1/4" x 37-1/2" x 84" rough-in dimensions
- Acrylic
- Integral soap ledges
- Nylon grab bars (-N), grey bars supplied with White and Biscuit modules, white bars supplied with others
- Brushed stainless steel grab bars (-C)
- Polished stainless steel grab bars (-P)
- May be installed for "pit" installation
- Slip-resistant floor

CODES/STANDARDS APPLICABLE

Specified model meets or exceeds the following:

- ANSI Z124.2
- ADA
- ICC/ANSI A117.1
- IAPMO/UPC

COLORS/FINISHES

- 0 White
- Other Refer to Fixtures Price Book for additional colors

Accessories:

- CP Polished Chrome
- PB Polished Brass
- SH Bright Silver
- BH Bright Brass
- Other Refer to Fixtures Price Book for additional finishes
- NA None Applicable

SPECIFIED MODEL:

Model	Description	Module Colors/Finishes	
K-12102-N	Stall with nylon grab bars	<input type="checkbox"/> 0 White	<input type="checkbox"/> Other_____
K-12102-C	Stall with brushed stainless steel grab bars	<input type="checkbox"/> 0 White	<input type="checkbox"/> Other_____
K-12102-P	Stall with polished stainless steel grab bars	<input type="checkbox"/> 0 White	<input type="checkbox"/> Other_____

Recommended Accessories			
K-9132	Drain	<input type="checkbox"/> CP	<input type="checkbox"/> PB <input type="checkbox"/> Other_____

Optional Accessories			
K-1570	Dome light		<input type="checkbox"/> NA
K-704016	Helios™ 4-panel shower door*	<input type="checkbox"/> SH <input type="checkbox"/> BH	<input type="checkbox"/> 0 White

* Refer to Fixtures Price Book for glass options.

PRODUCT SPECIFICATION:

The wheelchair shower stall inside finished dimensions shall be 61-5/8" x 37-3/8" x 81-3/8". Shower stall shall be ADA compliant. Shower stall rough-in dimensions shall be 69-1/4" in length, 37-1/2" in width, and 84" in height. Shower stall shall be made of acrylic. Shower stall shall have integral soap ledges. Shower stall shall have nylon grab bars (-N),(grey bars supplied with White and Biscuit stalls, white bars supplied with others), brushed stainless steel grab bars (-C), or polished stainless steel grab bars (-P). Shower stall may be installed for "pit" installation. Shower stall shall have a slip-resistant floor. Shower stall shall be Kohler Model K-12102-_____ -_____.

We reserve the right to make revisions without notice in the design of fixtures or in packaging unless this right has specifically been waived at the time the order is accepted.

FREEWILL™

PRODUCT INFORMATION

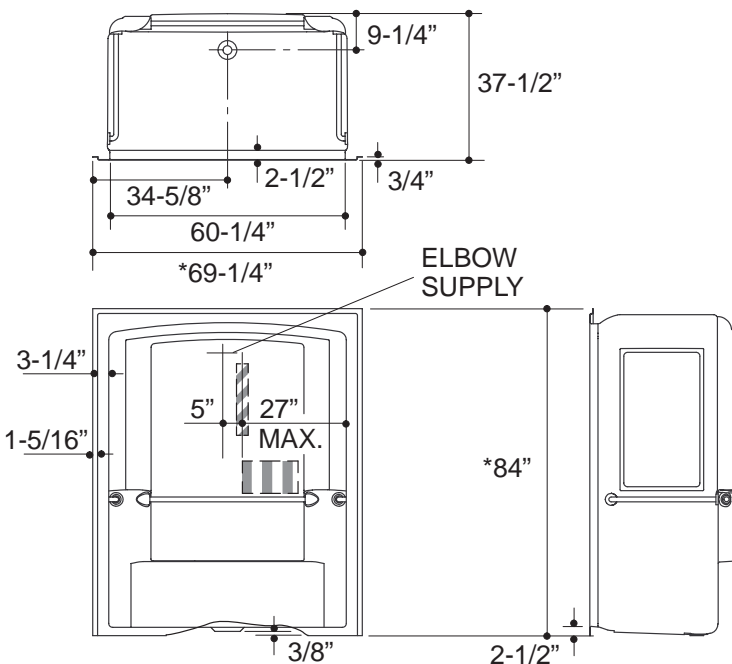
ADA compliant	
Fixture:	225 lbs.
Configuration	1-piece
Drain Outlet	3-1/4" D.



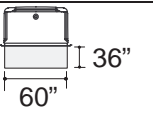
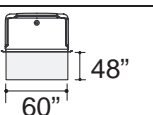
INSTALLATION NOTES

Fixture not drilled for supply fittings.

Shimming may be required to level fixture.

For optimum accessibility, specify faucets and fittings to install and operate within the control area shown.



Roughing-In Notes	
*Recess opening must be 69-1/2" x 84-1/4".	
No change in measurements if connected with drain illustrated.	
Stud opening tolerance (+ 1/4" - 0"). When fire rated wall is specified, dimensions are to the inside of the wall board. Some shimming between stud frame and fixture may be required.	
Provide clear floor space per ICC/ANSI A117.1, and as shown.	
	Represents control area for faucets.
	Represents 24" wall mount slide bar.
	Represents clear floor space for 36" x 60" side entrance.
	Represents clear floor space for 48" x 60" front entrance.

.65<132

PRODUCT DIAGRAM