

**BATH FAUCET TRIM**  
**K-P15290**  
**PROJECT PACK**  
**ALSO K-P15708-K**

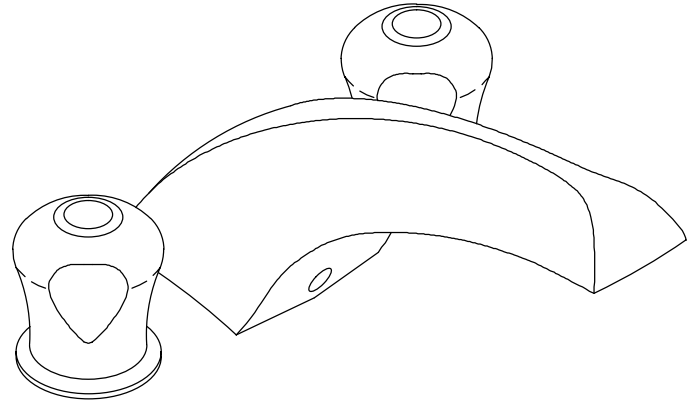
**FEATURES**

- Metal construction
- Deck-mount
- Cast brass spout
- 8-5/8" Roman non-diverter spout with slip-fit connection
- Sculptured acrylic handles
- Packaged six per case

**CODES/STANDARDS APPLICABLE**

Specified model meets or exceeds the following:

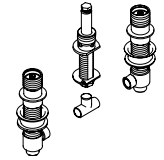
- ASME/ANSI A112.18.1M
- CSA B125
- IAPMO/UPC



**COLORS/FINISHES**

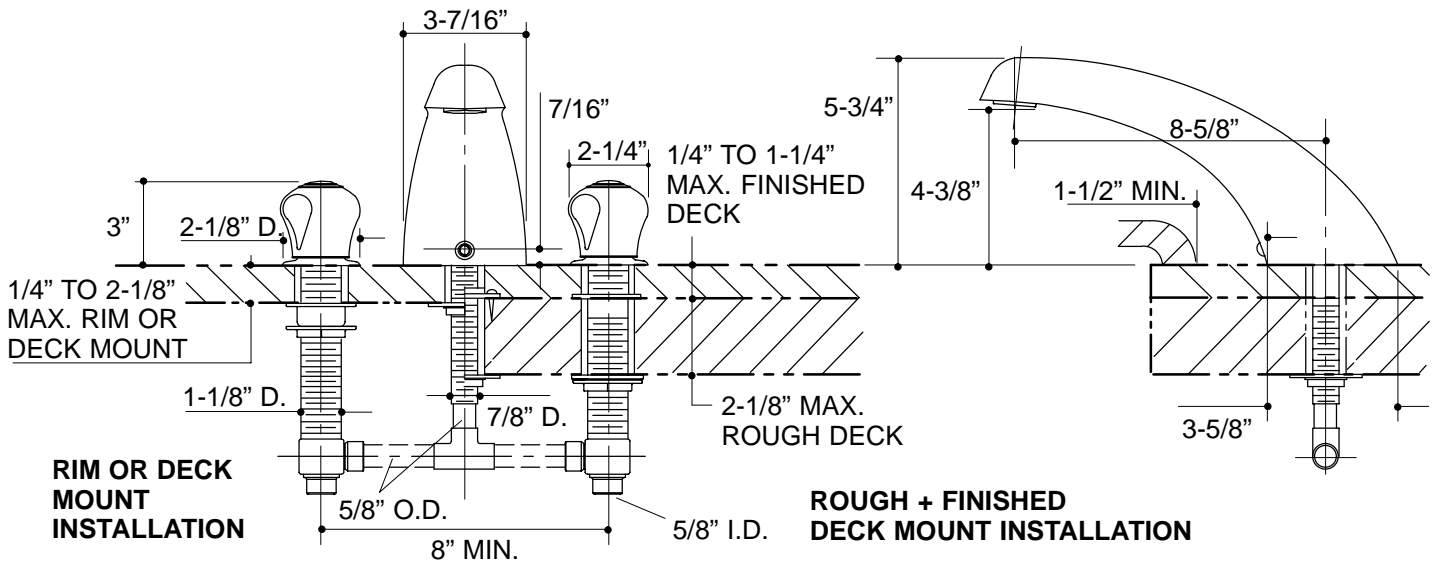
- CP Polished Chrome

**SPECIFIED MODEL:** For complete faucet, both faucet trim and valve system must be specified.

K-P15290	Coralais Deck-Mount High-Flow Bath Faucet Trim	<input type="checkbox"/> CP
<b>Required Accessory</b>		
K-P15708-K	1/2" Ceramic Disc Valve System; Less Connections	<input type="checkbox"/> NA
K-P15708-KR	1/2" Ceramic Disc Valve System; With 8" Rigid Connections	<input type="checkbox"/> NA

**PRODUCT SPECIFICATION:**

Two-handle deck-mount high-flow bath faucet trim shall be of metal construction. Trim shall include cast brass 8-5/8" Roman non-diverter spout with slip-fit connection, and sculptured acrylic handles. Trim shall be Kohler Model K-P15290-CP and valve system shall be Kohler Model K-P15708-\_\_\_\_-NA. Project Pack trim and valves are packaged six per case.



**Roughing-In Notes**  
 Thin deck/rim installations require additional support under deck/rim. Use 1/2" exterior grade plywood.

**PRODUCT DIAGRAM**