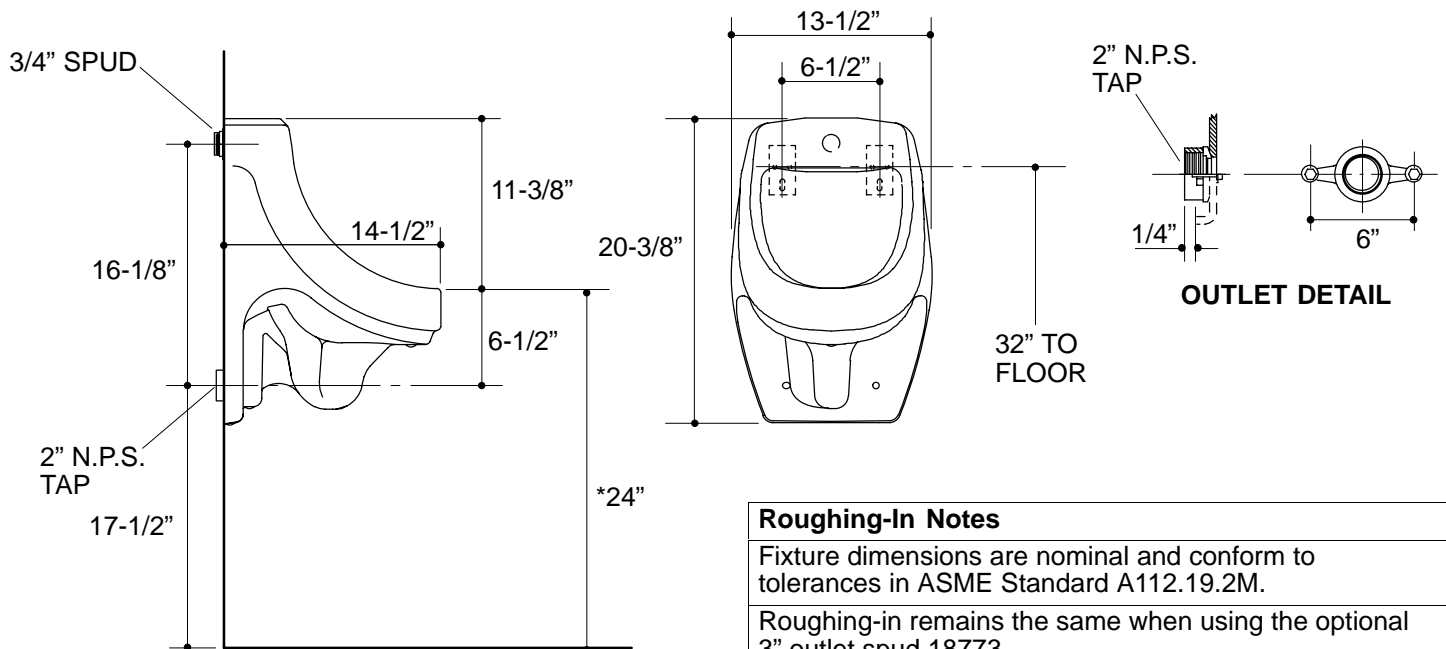


Ordering Information

| | | |
|-----------------------|-------|----------|
| Accessories/hardware: | | |
| 3" outlet spud | 18773 | optional |

Product Information

| | |
|---|-------------|
| ADA compliant. | |
| Fixture: | |
| Configuration | Rear spud |
| Spud inlet size | 3/4" |
| Gallons per flush | < 1 gallon* |
| *Designed to flush with less than one gallon of water when installed with a water saving flush valve. | |
| Included Components: | |
| 3/4" inlet spud | 18376 |
| 2" outlet spud | 18766 |
| Hanger (2 required) | 64512 |
| Flush valve requirements: Refer to manufacturer's instructions and local codes. | |



| |
|---|
| Roughing-In Notes |
| Fixture dimensions are nominal and conform to tolerances in ASME Standard A112.19.2M. |
| Roughing-in remains the same when using the optional 3" outlet spud 18773. |
| *Urinal complies with ADA requirement when rim is mounted no higher than 17" from finished floor. |

1.25>116