

Ordering Information

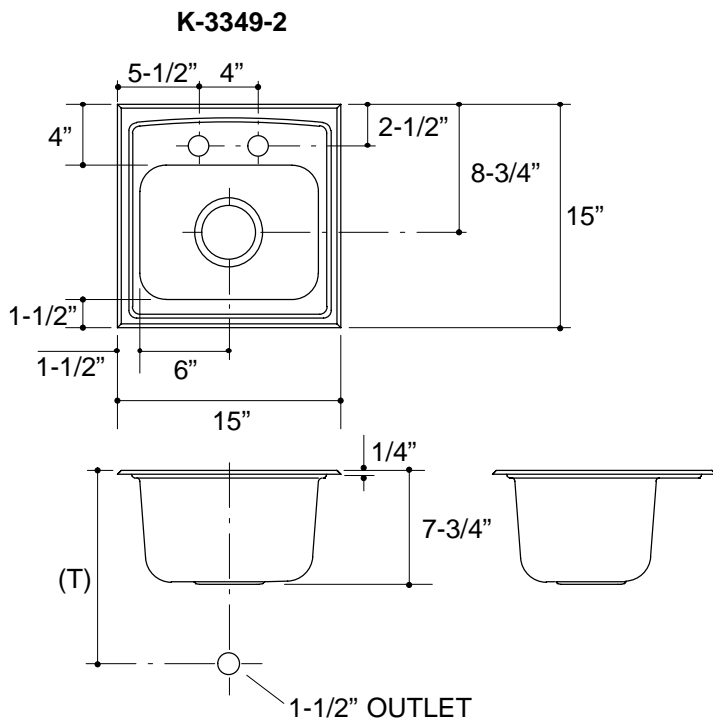
Applicable product:		
Two-hole sink	K-3349-2	shown
Single-hole sink	K-3349-1	not shown

Product Information

Fixture*:		basin area	water depth
Sink		12" x 10"	7"
Outlet	3-5/8" D.		
Faucet holes	1-7/16" D.		
* Approximate measurements for comparison only.			
Included Components:			
Fastener kit			90208

Installation Notes

Refer to installation instructions included with fixture before beginning installation.



Roughing-In Notes	
Fixture dimensions are nominal and conform to tolerances in ASME/ANSI Standard A112.19.3M.	
(T) Drain typically 13-1/8".	
Cutout	14-1/2" x 14-1/2" with 1/2" radius corners.

1.25>116