

BATH FAUCET TRIM
K-T12885-4
ALSO K-300-K

ADA

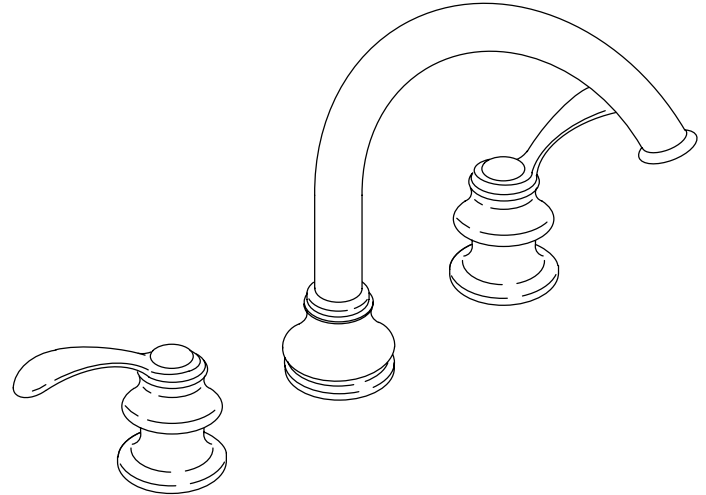
FEATURES

- Brass construction
- Bath- or Deck-mount
- 8-7/8" high-arch non-diverter spout with slip-fit connection
- Lever handles

CODES/STANDARDS APPLICABLE

Specified model meets or exceeds the following:

- ASME/ANSI A112.18.1M
- CSA B125
- IAPMO/UPC



COLORS/FINISHES

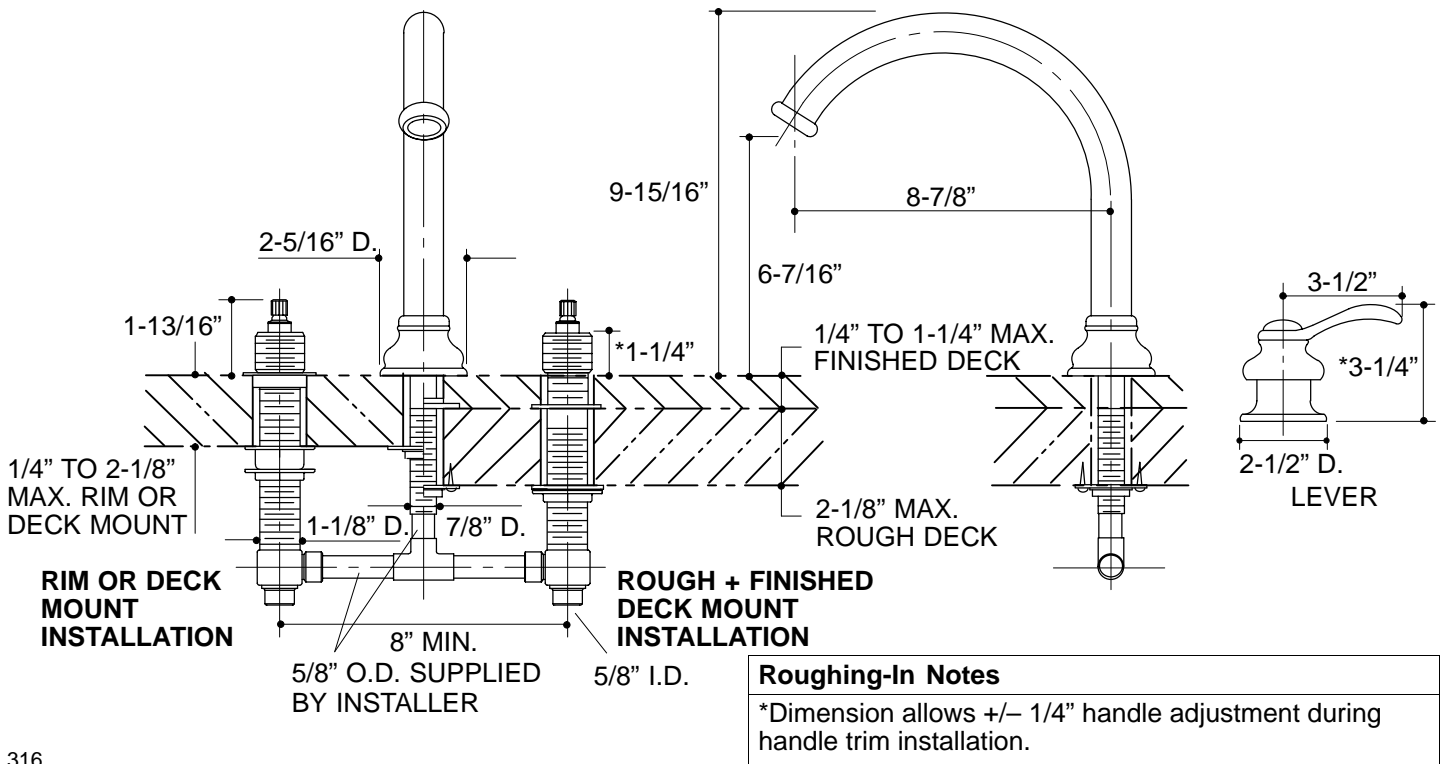
- CP Polished Chrome
- Other Refer to Faucets Price Book for additional finishes

SPECIFIED MODEL: For complete faucet, both faucet trim and valve system must be specified.

Model	Description	<input type="checkbox"/> CP	<input type="checkbox"/> Other _____
K-T12885-4	Fairfax Bath- or Deck-Mount High-Flow Bath Faucet Trim	<input type="checkbox"/> CP	<input type="checkbox"/> Other _____
Required Accessory			
K-300-K	1/2" High-Flow Ceramic Disc Valve System	<input type="checkbox"/> NA	

PRODUCT SPECIFICATION:

Two-handle bath- or deck-mount high-flow bath faucet trim shall be of brass construction. Product shall include 8-7/8" high-arch non-diverter spout with slip-fit connection, and lever handles. Faucet trim shall be Kohler Model K-T12885-4-_____ and valve system shall be Kohler Model K-300-K-NA.



316

PRODUCT DIAGRAM