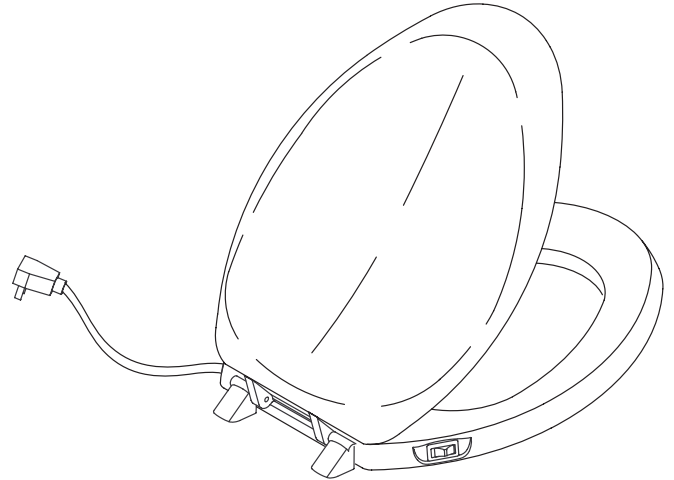


## HEATED TOILET SEAT

# K-4649

### FEATURES

- Elongated closed front
- Ergonomically contoured seat and cover
- Durable chip-resistant polypropylene shell with enclosed heating element
- On/off switch
- Fits most elongated toilets
- Warm, soothing heated surface
- Color-matched cordset
- 48" long cord
- Continuous operation
- Power requirements, 120 VAC @ 15 watts
- Requires 120V., 15 A., 60 Hz., GFCI protected outlet



### COLORS/FINISHES

- 0 White
- Other Refer to Fixtures Price Book for additional colors

### CODES/STANDARDS APPLICABLE

Specified model meets or exceeds the following:

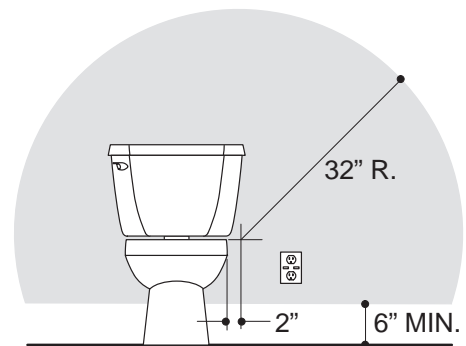
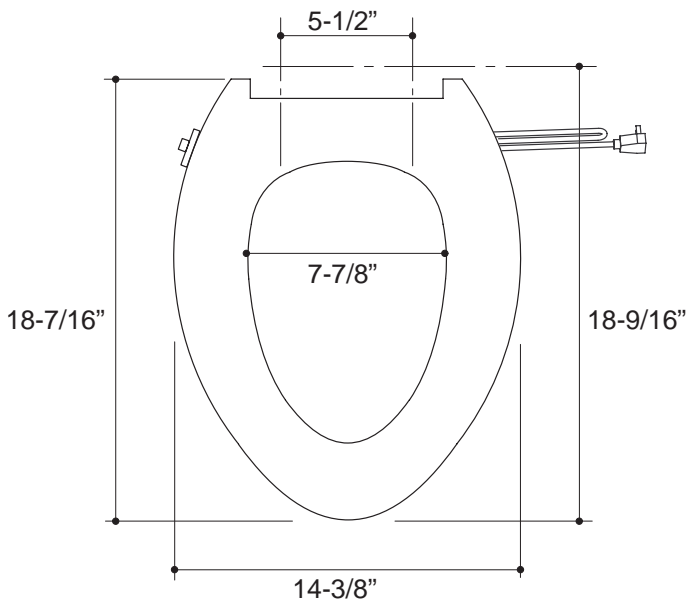
- Underwriters Laboratories (UL)

### SPECIFIED MODEL:

Model	Description	Colors/Finishes	
K-4649	Elongated closed front heated seat	<input type="checkbox"/> 0 White	<input type="checkbox"/> Other _____

### PRODUCT SPECIFICATION:

The toilet seat shall be elongated closed front. Toilet seat shall be ergonomically contoured. Toilet seat shall have durable chip-resistant polypropylene shell with enclosed heating element. Toilet seat shall have on/off switch. Toilet seat shall fit most elongated toilets. Toilet seat shall have warm, soothing heated surface. Toilet seat shall have color-matched cordset. Toilet seat shall have a 48" long cord. Toilet seat shall have continuous operation. Toilet seat power requirements shall be 120 VAC @ 15 watts. Toilet seat shall require a 120V., 15 A., 60 Hz., GFCI protected outlet. Toilet seat shall be Kohler Model K-4649-\_\_\_\_\_.



**ELECTRICAL SERVICE DETAIL**

**ROUGHING-IN NOTES**

The receptacle should be located at least 6" above the floor line, and within a 32" radius measured 2" to the right of the toilet ledge, as shown.

**PRODUCT DIAGRAM**