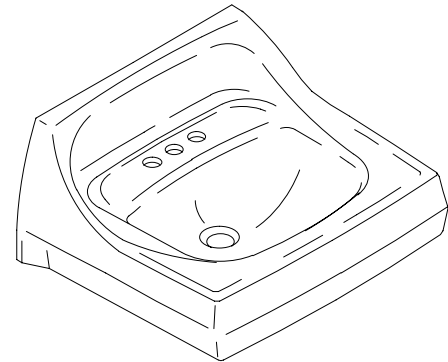


WALL-MOUNT LAVATORY

K-2005, K-2006 K-2007

ADA



FEATURES

- 21-1/4" x 18-1/8"
- Vitreous China
- Wall-Mount
- With hanger
- 4" centers (K-2005), 8" centers (K-2006), or single-hole (K-2007) drilling
- With overflow
- ADA compliant
- Drilled for concealed arm carrier
- Optional soap dispenser hole on left (-L) or right (-R)

CODES/STANDARDS APPLICABLE

Specified model meets or exceeds the following:

- ADA
- ASME/ANSI A112.19.2M
- CABO/ANSI A117.1
- IAPMO/UPC
- Canadian Standards Association (CSA)
- State of Massachusetts

COLORS/FINISHES

- 0 White
- Other Refer to Fixtures Price Book for additional colors

Accessories:

- CP Polished Chrome
- Other Refer to Faucets Price Book for additional finishes

SPECIFIED MODEL:

Model	Description	Colors/Finishes	
K-2005	4" centers lavatory less soap dispenser hole	<input type="checkbox"/> 0 White	<input type="checkbox"/> Other_____
K-2005-L	4" centers lavatory with soap dispenser hole on left	<input type="checkbox"/> 0 White	<input type="checkbox"/> Other_____
K-2005-R	4" centers lavatory with soap dispenser hole on right	<input type="checkbox"/> 0 White	<input type="checkbox"/> Other_____
K-2006	8" centers lavatory less soap dispenser hole	<input type="checkbox"/> 0 White	<input type="checkbox"/> Other_____
K-2007	Single-hole lavatory less soap dispenser hole	<input type="checkbox"/> 0 White	<input type="checkbox"/> Other_____
K-2007-L	Single-hole lavatory with soap dispenser hole on left	<input type="checkbox"/> 0 White	<input type="checkbox"/> Other_____
K-2007-R	Single-hole lavatory with soap dispenser hole on right	<input type="checkbox"/> 0 White	<input type="checkbox"/> Other_____

Recommended Accessories			
K-8998	Trap	<input type="checkbox"/> CP	<input type="checkbox"/> Other_____

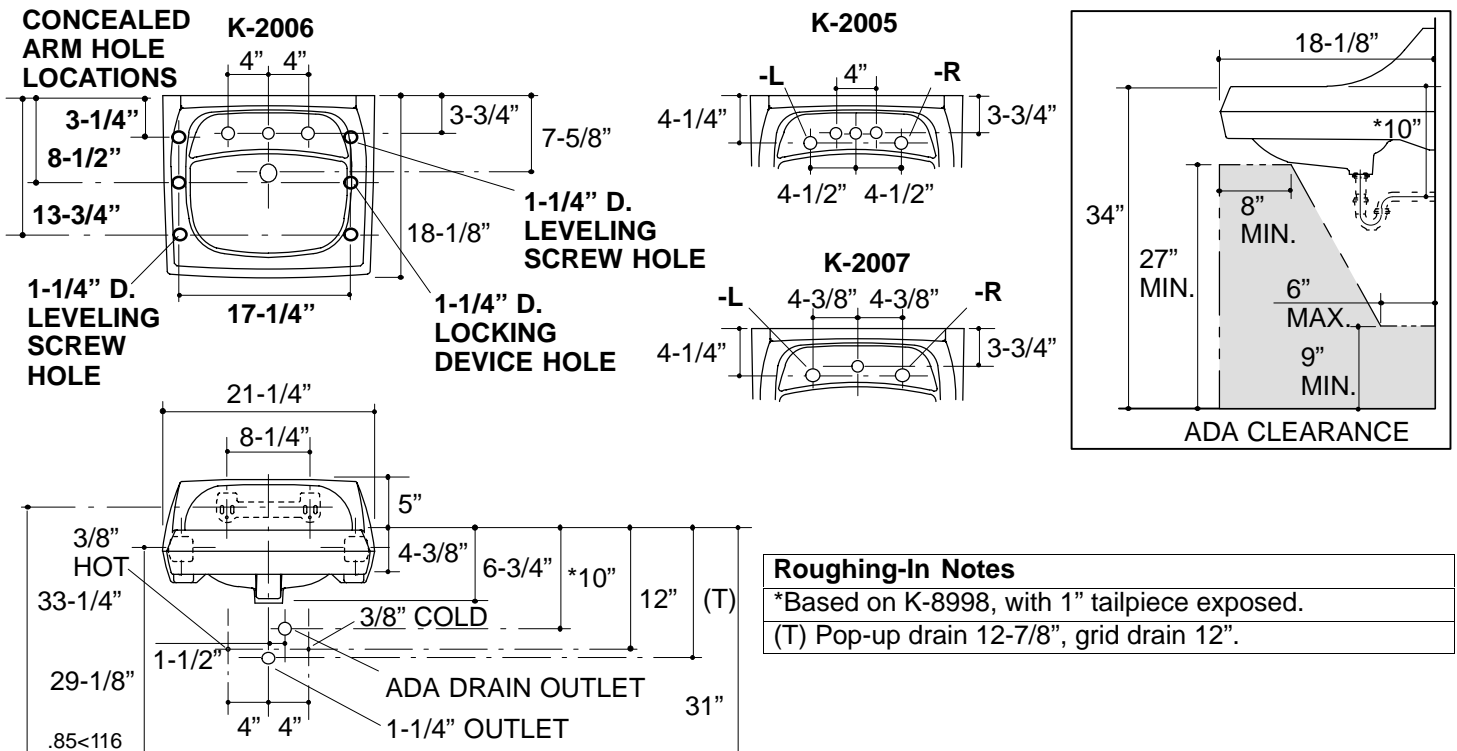
PRODUCT SPECIFICATION:

The lavatory with back shall be 21-1/4" in length, and 18-1/8" in width. Lavatory shall be made of vitreous china. Lavatory shall be wall-mounted with wall hangers. Lavatory shall have 4" centers (K-2005), 8" centers (K-2006), or single-hole (K-2007) drilling. Lavatory shall have overflow. Lavatory shall be ADA compliant. Lavatory shall be drilled for concealed arm carrier. Lavatory shall have optional soap dispenser hole on left (-L) or right (-R). Lavatory shall be Kohler Model K-_____-_____-_____.

PRODUCT INFORMATION

Fixture*:		basin area	water depth
Lavatory		16" x 10"	3-1/8"
Outlet	1-3/4" D.		
Holes	K-2005	K-2006	K-2007
Spout	1-3/16" D.	1-3/16" D.	1-3/8" D.
Faucet	1-3/16" D.	1-3/8" D.	
Soap dispenser			1-1/4" D.

Included Components:	
Hanger	64839
Supplied hanger not used with concealed arm carrier.	



PRODUCT DIAGRAM