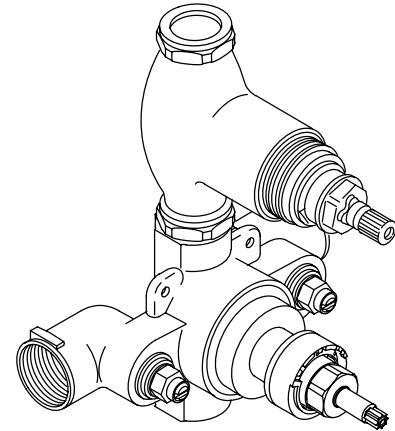


**3/4" THERMOSTATIC MIXER
K-401-K**

FEATURES

- Brass construction
- Wall-mount
- Brass valve body
- High-flow valving
- High-temperature limit stop
- 3/4" quarter-turn washerless ceramic disc valve
- Temperature-balancing mechanism
- Scald hazard protection
- Volume control
- Screwdriver stops
- Cross flow prevention
- 3/4" N.P.T. connections



CODES/STANDARDS APPLICABLE

Specified model meets or exceeds the following:

- ASME/ANSI A112.18.1M
- ASSE/ANSI 1016
- CSA B125
- IAPMO/UPC

COLORS/FINISHES

- NA Not applicable

SPECIFIED MODEL:

Model	Description	
K-401-K	3/4" Thermostatic Mixer with Volume Control	<input type="checkbox"/> NA

Required Accessories		
K-403-K	3/4" Volume Control Valve (For Use on Bath Outlets)	<input type="checkbox"/> NA
K-9663	Twin Ell (For Use With Diverter Bath Spouts Only)	<input type="checkbox"/> NA

PRODUCT SPECIFICATION:

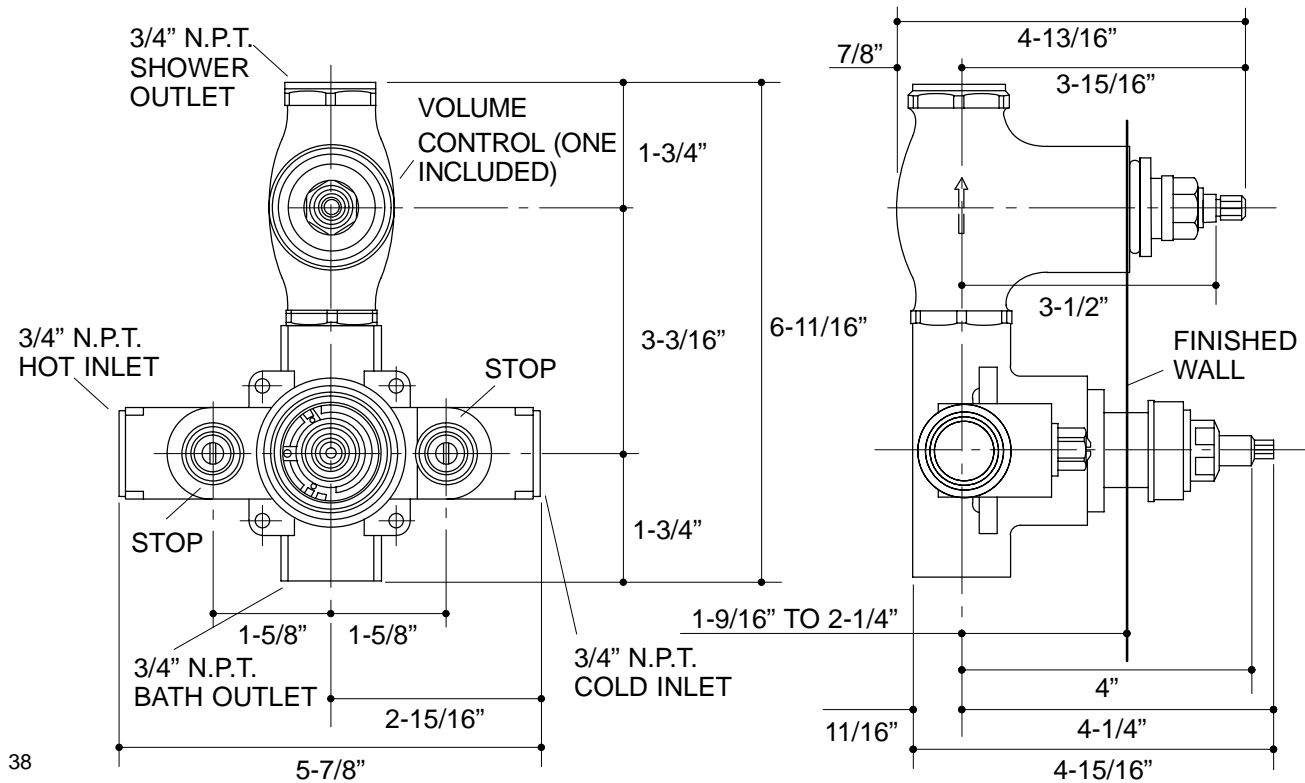
Two-handle wall-mount thermostatic mixer with volume control shall be of brass construction. Product shall feature a 3/4" quarter-turn washerless ceramic disc valve, assuring positive handle stop positioning. The valve shall feature a high-temperature limit stop, and temperature-balancing and scald prevention mechanisms. High-flow valving allows water to flow 11.5 gpm at 45 psi. The valve shall also feature integral screwdriver stops, crossflow prevention, and 3/4" N.P.T. connections. Valve shall be Kohler Model K-401-K-NA.

INSTALLATION NOTES

The K-401-K thermostatic mixer valve includes one volume control for shower-only installations. For bath and shower installations, an additional K-403-K volume control valve is required for the bath outlet.

A 3/4" N.P.T. plug must be installed in any unused outlet.

For installations with diverter spout, a K-9633 twin ell is required between the valve and the spout.



38

PRODUCT DIAGRAM