

**LAVATORY FAUCET
K-12265-4**

ADA

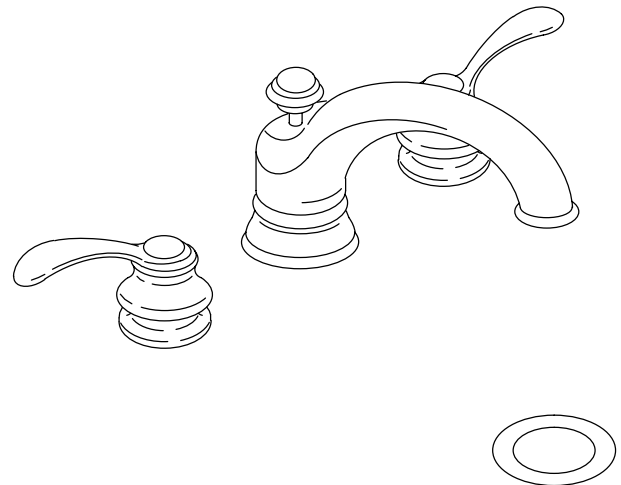
FEATURES

- Metal construction
- Flexible connections
- Brass valve bodies
- Quarter-turn washerless ceramic disc valves
- 5" spout
- 2.0 gallons per minute
- Pop-up drain with lift rod and tailpiece
- Lever handles

CODES/STANDARDS APPLICABLE

Specified model meets or exceeds the following:

- ASME/ANSI A112.18.1M
- CABO/ANSI A117.1
- CSA B125
- Energy Policy Act of 1992
- IAPMO/UPC
- NSF 61



COLORS/FINISHES

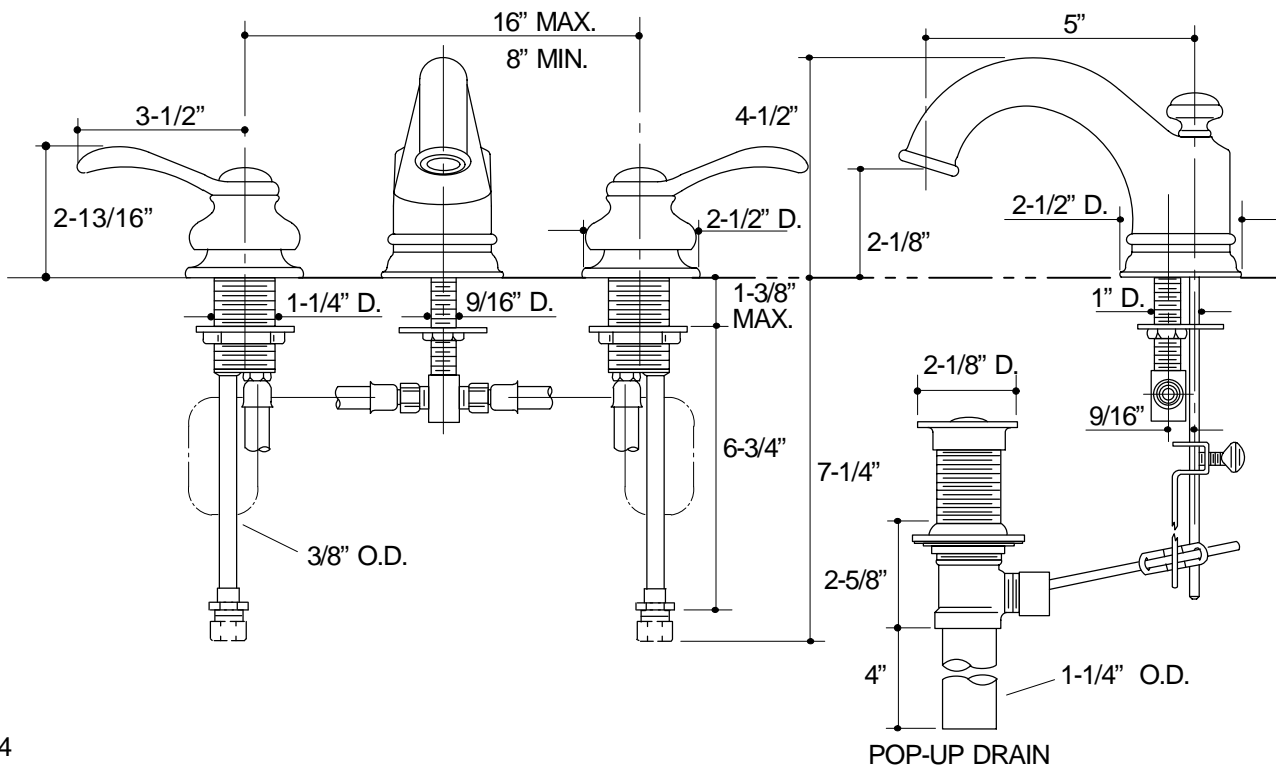
- CP Polished Chrome
- PB Polished Brass
- Other Refer to Faucets Price Book for additional finishes

SPECIFIED MODEL:

Model	Description			
K-12265-4	Fairfax Lavatory Faucet	<input type="checkbox"/> CP	<input type="checkbox"/> PB	<input type="checkbox"/> Other_____

PRODUCT SPECIFICATION:

Two-handle widespread lavatory faucet shall be of metal construction. Faucet shall feature brass valve bodies. Faucet shall feature quarter-turn washerless ceramic disc valves, assuring positive handle stop positioning. Product shall include flexible connections, 5" spout, pop-up drain with lift rod and tailpiece, and lever handles. Faucet shall be Kohler Model K-12265-4-_____.



PRODUCT DIAGRAM