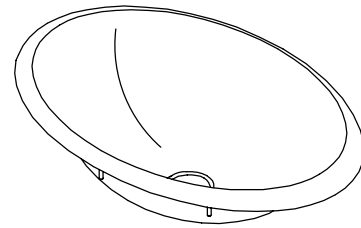


FEATURES

- 23-1/4" x 15-3/8"
- Stainless Steel
- Self-rimming
- Satin finish with Hushcoat undercoat (-S)
- Mirror finish with Hushcoat undercoat (-M)
- Flywheel finish with Hushcoat undercoat (-A)
- Formal stripe finish with Hushcoat undercoat (-B)
- 20 gauge stainless steel
- Installation hardware included
- No overflow, PVC tube and drain gasket included to cover overflow hole in faucet drain assembly
- With sealant



CODES/STANDARDS APPLICABLE

Specified model meets or exceeds the following:

- ASME/ANSI A112.19.3M
- Canadian Standards Association (CSA)

COLORS/FINISHES

- NA Not Applicable

Accessories:

- CP Polished Chrome
- Other Refer to Faucets Price Book for additional finishes

SPECIFIED MODEL:

Model	Description	Colors/Finishes
K-2600-S	Satin finish with hushcoat undercoat lavatory	<input type="checkbox"/> NA
K-2600-M	Mirror finish with hushcoat undercoat lavatory	<input type="checkbox"/> NA
K-2600-A	Flywheel finish with hushcoat undercoat lavatory	<input type="checkbox"/> NA
K-2600-B	Formal stripe finish with hushcoat undercoat lavatory	<input type="checkbox"/> NA

Recommended Accessories			
K-8998	Trap	<input type="checkbox"/> CP	<input type="checkbox"/> Other_____

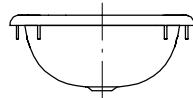
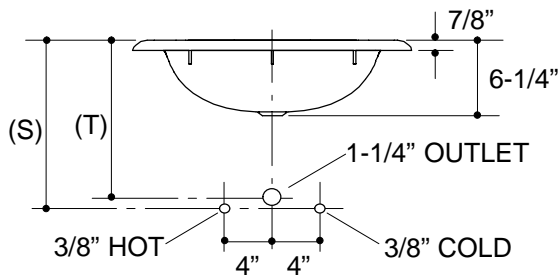
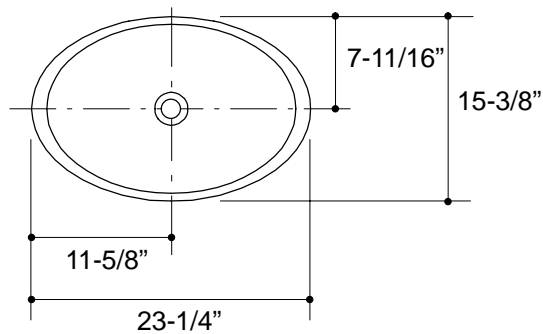
PRODUCT SPECIFICATION:

The self-rimming oval lavatory shall be 23-1/4" in length, and 15-3/8" in width. Lavatory shall be made of 20 gauge stainless steel. Lavatory shall have satin finish with Hushcoat undercoat (-S), mirror finish with Hushcoat undercoat (-M), flywheel finish with Hushcoat undercoat (-A), or formal stripe finish with Hushcoat undercoat (-B). Lavatory shall include hardware. Lavatory shall have PVC tube and drain gasket to cover overflow hole in faucet drain assembly. Lavatory shall include sealant. Lavatory shall be Kohler Model K-2600-_____-NA.

PRODUCT INFORMATION

Fixture*:		basin area	water depth
Lavatory		18" x 13"	5-7/8"
Outlet	1-5/8" D.		

Included Components:	
Adhesive sealant	63034
Drain gasket	33507
Tube	62603
Basin clamp assembly	56655
Cutout template	116847-7

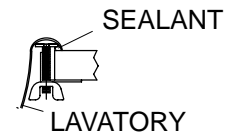


Roughing-In Notes

(T) Pop-up drain 13-1/8".

(S) 14" (Based on 12" riser which may require cutting).

Supplied basin clamp assembly requires 3/4" minimum countertop thickness. Installer must supply anchors for thinner countertops.



KIT #56655

PRODUCT DIAGRAM