

Ordering Information

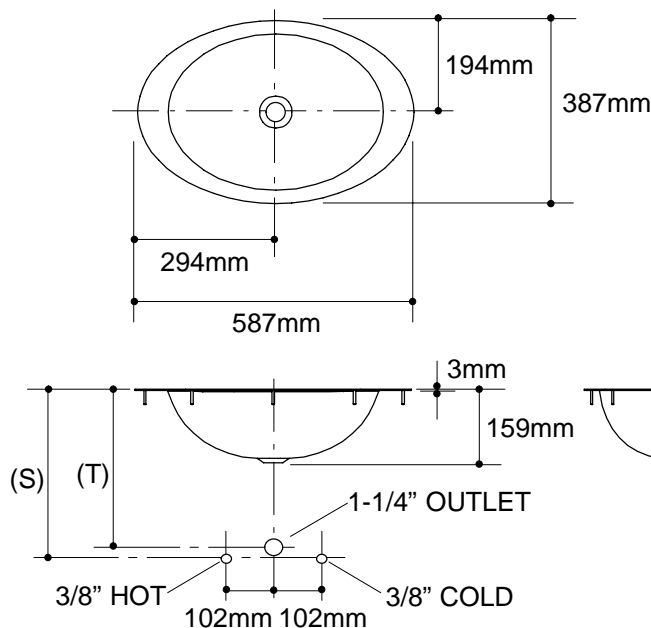
Applicable product:		
Satin finish	K-2601-S	shown
Mirror finish	K-2601-M	shown
Herringbone finish	K-2601-C	shown
Mottled finish	K-2601-D	shown
Crosschecked finish	K-2601-E	shown

Product Information

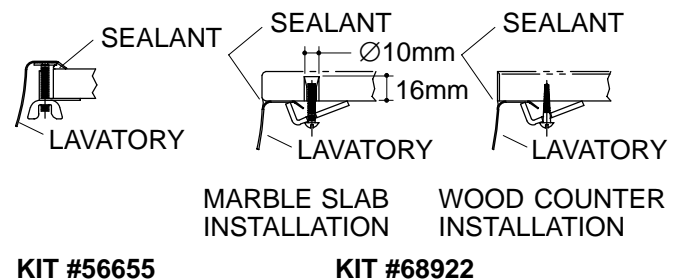
Fixture*:		basin area	water depth
Lavatory		457 x 330mm	149mm
Outlet	Ø41mm		

* Approximate measurements for comparison only.

Included Components:	
Adhesive sealant	63034
Drain gasket	33507
Tube	62603
Basin clamp assembly (self-rimming)	56655
Basin clamp assembly (undercounter)	68922
Cutout template	116847-7



Roughing-In Notes
Fixture dimensions are nominal and conform to tolerances in ASME Standard A112.19.3M.
(T) Pop-up drain 333mm.
(S) 356mm (Based on 305mm riser which may require cutting).
Supplied basin clamp assembly requires 19mm minimum countertop thickness. Installer must supply anchors for thinner countertops.



NOTE: WATERPROOF UNPROTECTED OVERHANG AREA OF THE UNDERSIDE OF WOOD COUNTER.