

Ordering Information

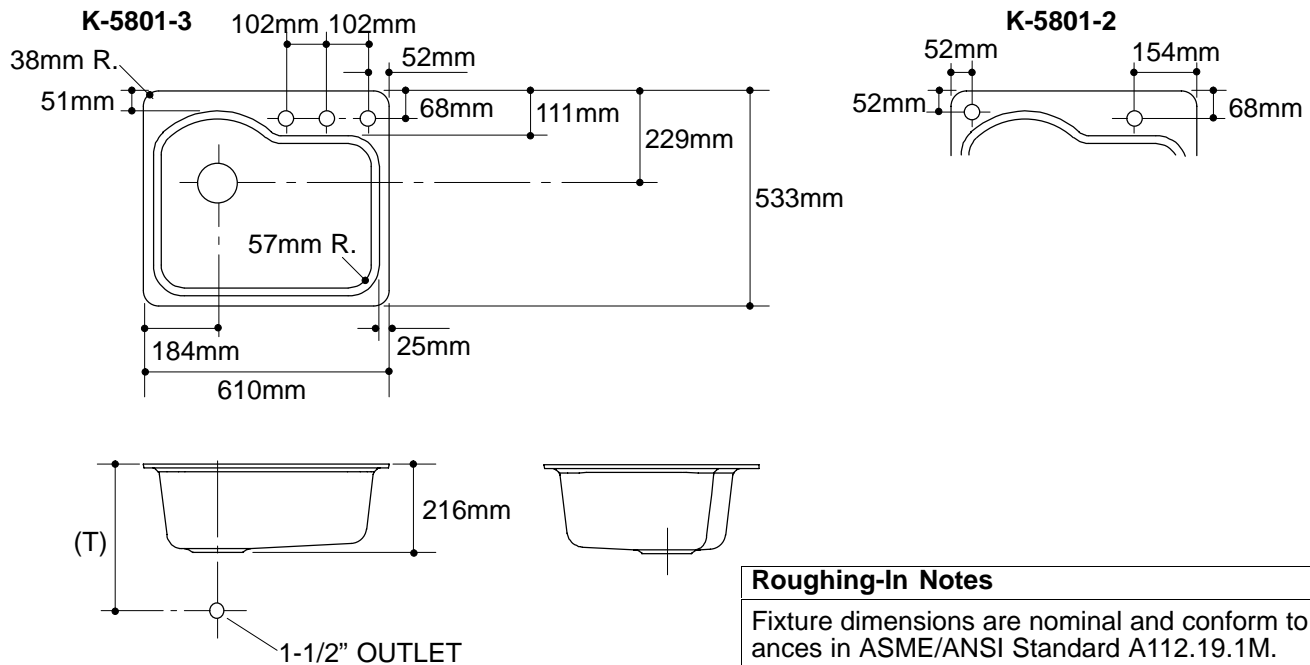
| | | |
|-----------------------|----------|-------------|
| Applicable product: | | |
| Three-hole sink | K-5801-3 | shown |
| Two-hole sink | K-5801-2 | not shown |
| Accessories/hardware: | | |
| Metal frame | K-6596 | recommended |

Product Information

| | | | |
|---|-------|-------------|-------------|
| Fixture*: | | basin area | water depth |
| Sink | | 508 x 356mm | 203mm |
| Outlet | Ø92mm | | |
| Faucet holes | Ø35mm | | |
| * Approximate measurements for comparison only. | | | |

Installation Notes

Refer to installation instructions included with fixture before beginning installation.



Roughing-In Notes

Fixture dimensions are nominal and conform to tolerances in ASME/ANSI Standard A112.19.1M.

(T) Drain 365mm.

| | |
|--------|--------------------------|
| Cutout | Metal frame recommended. |
|--------|--------------------------|

.85<116