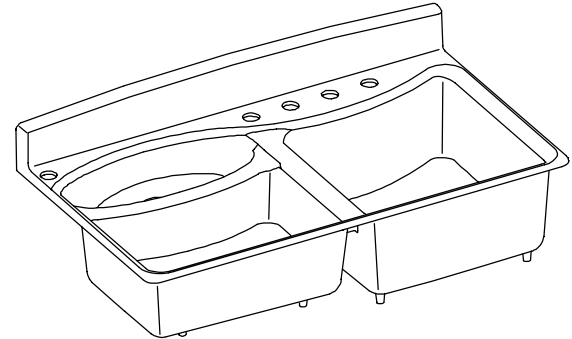


SELF-RIMMING KITCHEN SINK

K-5800

FEATURES

- 43" x 23-1/2"
- Cast iron
- Acid resistant enamel finish
- Self-rimming
- Triple compartment sink with two large basins and smaller disposal basin
- 5-hole (K-5800-5), 3-hole (K-5800-3) or 2-hole (K-5800-2) drilling



CODES/STANDARDS APPLICABLE

Specified model meets or exceeds the following:

- ASME/ANSI A112.19.1M

COLORS/FINISHES

- 0 White
- Other Refer to Fixtures Price Book for additional colors

Accessories:

- CP Polished Chrome
- ST Stainless Steel
- NA None Applicable
- Other Refer to Price Book for additional finishes

SPECIFIED MODEL:

Model	Description	Colors/Finishes	
K-5800-5	5-hole sink	<input type="checkbox"/> 0 White	<input type="checkbox"/> Other_____
K-5800-3	3-hole sink	<input type="checkbox"/> 0 White	<input type="checkbox"/> Other_____
K-5800-2	2-hole sink	<input type="checkbox"/> 0 White	<input type="checkbox"/> Other_____

Recommended Accessories		
K-9000	Trap	<input type="checkbox"/> CP

Optional Accessories		
K-8801	Duostrainer sink strainer	<input type="checkbox"/> CP <input type="checkbox"/> Other_____
K-6574	Hardwood cutting board	<input type="checkbox"/> NA
K-6549	Wire rinse basket, (stainless steel)	<input type="checkbox"/> ST
K-6014	Bottom basin rack, (stainless steel)	<input type="checkbox"/> ST

PRODUCT SPECIFICATION:

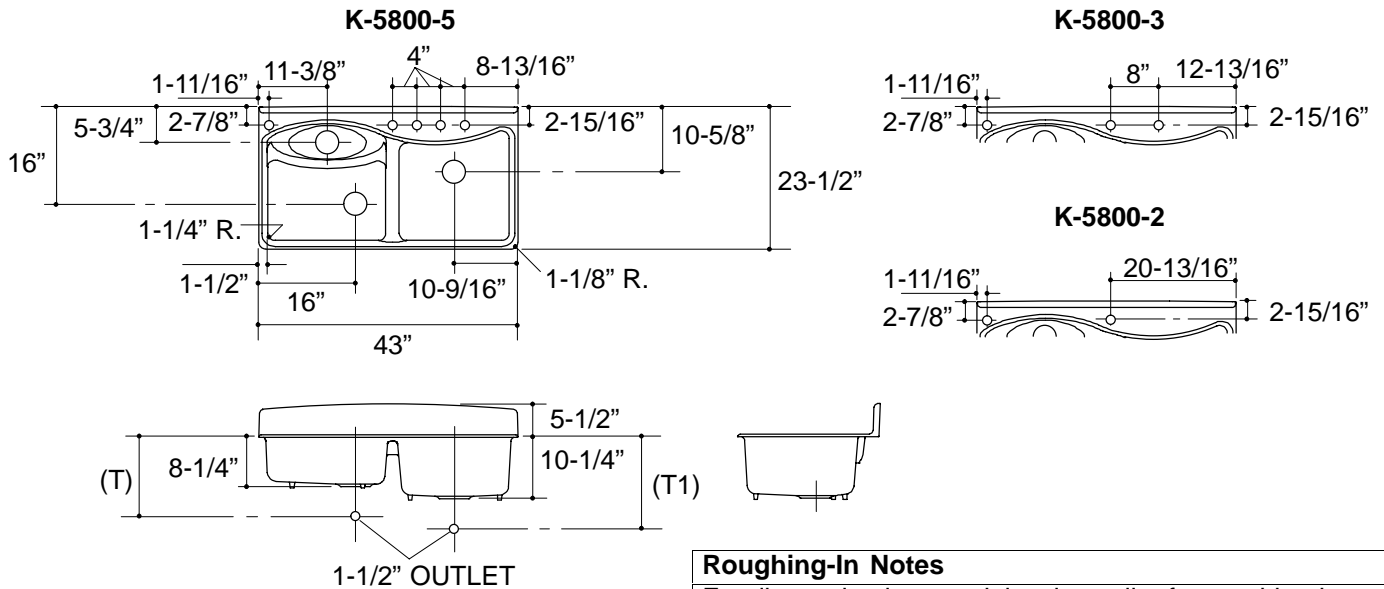
The self-rimming sink shall be 43" in length, and 23-1/2" in width. Sink shall be made of cast iron with acid resistant enamel finish. Sink shall be triple compartment with two large basins and smaller disposal basin. Sink shall be 5-hole (K-5800-5), 3-hole (K-5800-3) or 2-hole (K-5800-2) drilled. Sink shall be Kohler Model K-5800-_____-_____.

PRODUCT INFORMATION

Fixture*:		basin area	water depth
Sink, large		19" x 18"	10"
Sink, small		20" x 13"	8"
Disposal		20" x 7"	4"
Outlet	3-5/8" D.		
Faucet holes	1-3/8" D.		

* Approximate measurements for comparison only.

Included Components:	
Cutout template	117019-7



Roughing-In Notes

For disposal unit, consult local supplier for roughing-in measurements.

(T) Drain 13-5/8".

(T1) Drain 15-5/8".

PRODUCT DIAGRAM