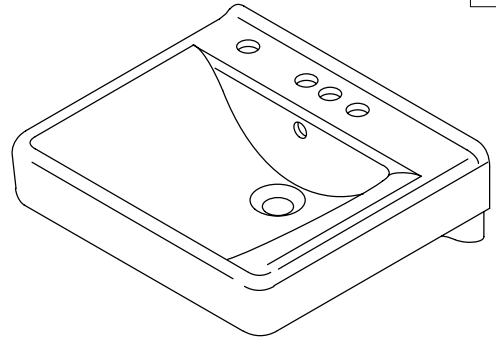


WALL-MOUNT LAVATORY

K-2053, K-2054 K-2084

ADA



FEATURES

- 20" x 18"
- Vitreous china
- Wall-mount
- 8" centers (K-2053), 4" centers (K-2054) or single-hole (K-2084)
- With overflow
- ADA compliant
- Drilled for concealed arm carrier
- Optional soap dispenser hole on left (-L) or right (-R)

CODES/STANDARDS APPLICABLE

Specified model meets or exceeds the following:

- ASME/ANSI A112.19.2M
- ADA
- CABO/ANSI A117.1
- IAPMO/UPC
- Canadian Standards Association (CSA N)

COLORS/FINISHES

- 0 White
- Other Refer to Fixtures Price Book for additional colors

Accessories:

- CP Polished Chrome
- Other Refer to Faucets Price Book for additional finishes

SPECIFIED MODEL:

Model	Description	Colors/Finishes	
K-2053	8" centers lavatory less soap dispenser hole	<input type="checkbox"/> 0 White	<input type="checkbox"/> Other_____
K-2053-L	8" centers lavatory with soap dispenser hole on left	<input type="checkbox"/> 0 White	<input type="checkbox"/> Other_____
K-2053-R	8" centers lavatory with soap dispenser hole on right	<input type="checkbox"/> 0 White	<input type="checkbox"/> Other_____
K-2054	4" centers lavatory less soap dispenser hole	<input type="checkbox"/> 0 White	<input type="checkbox"/> Other_____
K-2054-L	4" centers lavatory with soap dispenser hole on left	<input type="checkbox"/> 0 White	<input type="checkbox"/> Other_____
K-2054-R	4" centers lavatory with soap dispenser hole on right	<input type="checkbox"/> 0 White	<input type="checkbox"/> Other_____
K-2084	Single-hole lavatory less soap dispenser hole	<input type="checkbox"/> 0 White	<input type="checkbox"/> Other_____
K-2084-L	Single-hole lavatory with soap dispenser hole on left	<input type="checkbox"/> 0 White	<input type="checkbox"/> Other_____
K-2084-R	Single-hole lavatory with soap dispenser hole on right	<input type="checkbox"/> 0 White	<input type="checkbox"/> Other_____

Recommended Accessories			
K-8998	Trap	<input type="checkbox"/> CP	<input type="checkbox"/> Other_____

PRODUCT SPECIFICATION:

The wall-mount lavatory shall be 20" in length, and 18" in width. Lavatory shall be made of vitreous china. Lavatory shall have 8" centers (K-2053), 4" centers (K-2054), or single-hole (K-2084) drilling. Lavatory shall have overflow. Lavatory shall be ADA compliant. Lavatory shall be drilled for concealed arm carrier. Lavatory shall have optional soap dispenser hole on left (-L) or right (-R). Lavatory shall be Kohler Model K-_____-_____-_____.

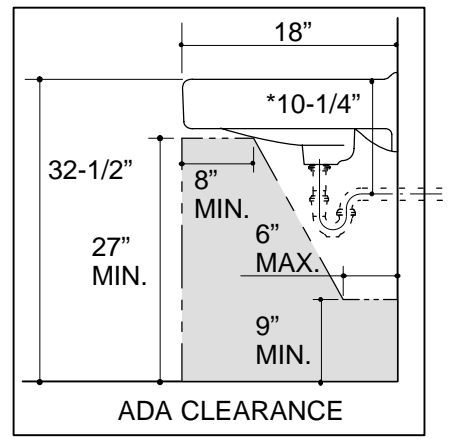
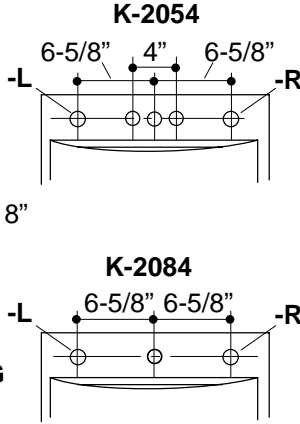
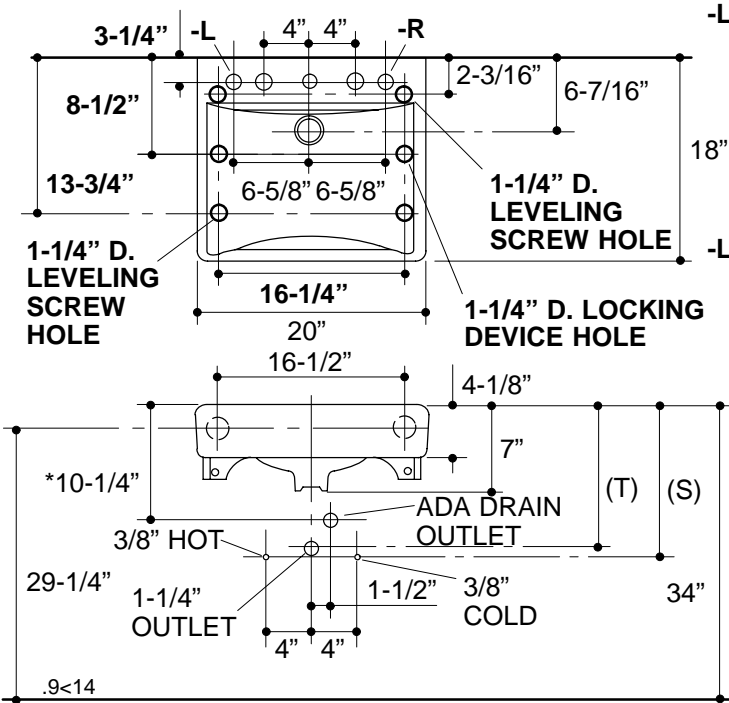
PRODUCT INFORMATION

ADA compliant.			
Fixture*:		basin area	water depth
Lavatory		18" x 13"	4-7/8"
Outlet	1-3/4" D.		
* Approximate measurements for comparison only.			
Holes	K-2053	K-2054	K-2084
Spout	1-3/16" D.	1-3/16" D.	1-3/8" D.
Faucet	1-3/8" D.	1-3/16" D.	
Soap dispenser			1-1/4" D.

INSTALLATION NOTES

Refer to installation instructions included with fixture before beginning installation.

CONCEALED ARM HOLE LOCATIONS K-2053



Roughing-In Notes
*Based on K-8998, with 1" tailpiece exposed.
(T) Pop-up drain 12-5/8", grid drain 11-3/4".
(S) 14" (Based on 17-3/4" riser which may require cutting).
Spout must be 8" long (min.) for adequate clearance into lavatory.

PRODUCT DIAGRAM