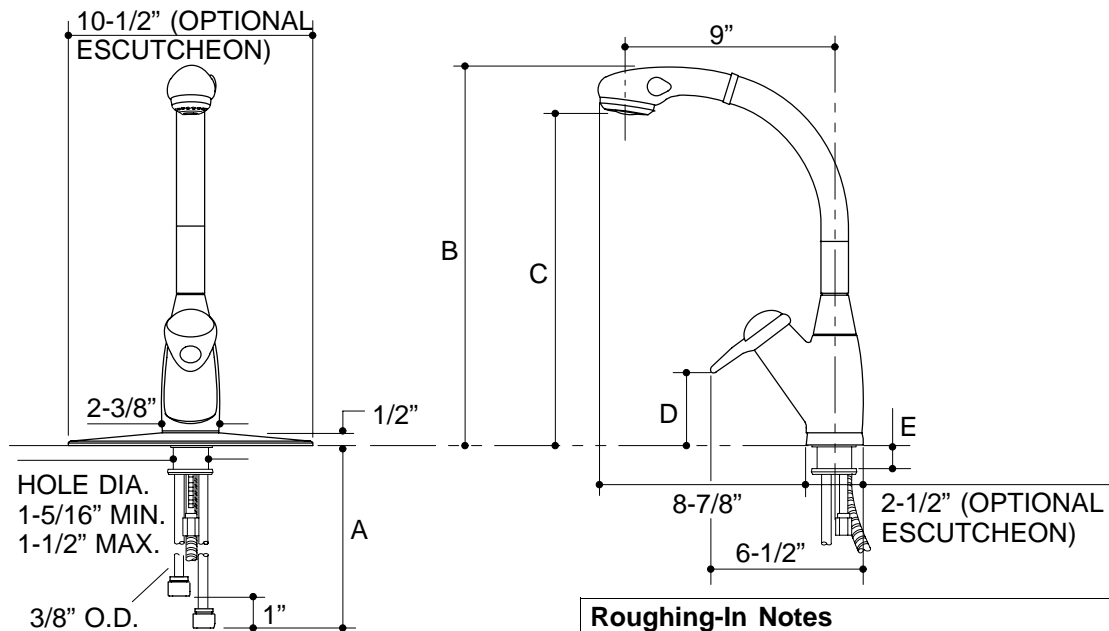


Ordering Information

Applicable faucet:	
With pull-out spray	K-6340
ADA Lever handle is ADA compliant	



Roughing-In Notes

	A	B	C	D	E
With escutcheon	11-1/8"	16-1/2"	14-3/8"	3-1/8"	2-5/8"
Without escutcheon	11-5/8"	16"	13-7/8"	2-5/8"	3-1/8"

1/8

K-6340-BP ProAvatar™ Kitchen Faucet
117103-1-AA (-)

KOHLER®

NOTES: