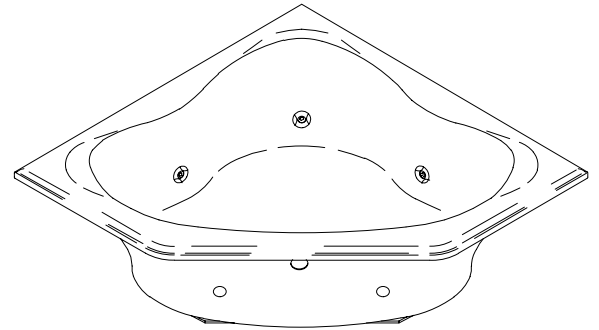


### FEATURES

- 60" x 60" x 21"
- Acrylic
- System II - 1 hp 2 speed pump with integral heater & electronic switch
- 5 Flexjets
- UL Listed
- For corner installation
- Optional K-1243 front apron
- LESS ALL TRIM
- Pump is supplied with a grounding-type plug-in cord



### CODES/STANDARDS APPLICABLE

Specified model meets or exceeds the following:

- ANSI Z124.1
- ASME/ANSI A112.19.7M
- IAPMO/UPC
- Underwriters Laboratories (UL)
- State of Massachusetts

### COLORS/FINISHES

- 0 White
- Other Refer to Fixtures Price Book for additional colors

#### Accessories:

- CP Polished Chrome
- PB Polished Brass
- Other Refer to Faucets Price Book for additional finishes
- NA None Applicable

### SPECIFIED MODEL:

Model	Description	Colors/Finishes		
K-1244-H	Bath Whirlpool	<input type="checkbox"/> 0 White	<input type="checkbox"/> Other_____	
<b>Required Accessories</b>				
K-9695	Jet trim kit	<input type="checkbox"/> CP	<input type="checkbox"/> PB	<input type="checkbox"/> Other_____
<b>Recommended Accessories</b>				
K-7161-AF	Drain	<input type="checkbox"/> CP	<input type="checkbox"/> PB	<input type="checkbox"/> Other_____
<b>Optional Accessories</b>				
K-1243	Apron (removable)	<input type="checkbox"/> 0 White	<input type="checkbox"/> Other_____	

### PRODUCT SPECIFICATION:

The bath whirlpool shall be 60" in length, 60" in width, and 21" in height. Bath whirlpool shall be made of acrylic. Bath whirlpool shall have System II, with 5 Flexjets, 1 hp 2 speed pump with integral heater, and electronic switch. Bath whirlpool shall be UL listed. Bath whirlpool shall be for corner installation. Bath whirlpool shall have optional K-1243 front apron. Bath whirlpool shall be less all trim. Bath whirlpool pump shall be supplied with a grounding-type plug-in cord. Bath whirlpool shall be Kohler Model K-1244-H-\_\_\_\_\_.

## REQUIRED ELECTRICAL SERVICE

Dedicated circuit required, protected with Class A Ground-Fault Circuit-Interrupter (GFCI):	
Pump/control	120 V., 20 A, 60 Hz

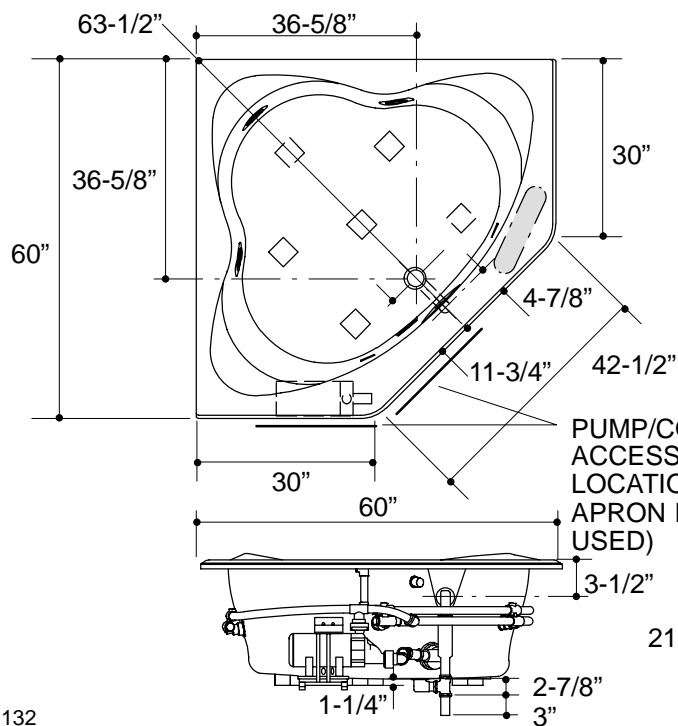
## PRODUCT INFORMATION

Fixture*:	basin area	top area	weight		
Bathing well	50" x 42"	60" x 46"	118 lbs.		
	water depth	capacity			
To overflow	14-1/2"	102 gal.			
* Approximate measurements for comparison only.					
Pump:	high HP	low HP	V	Hz	A
2-speed	1	1/8	120	60	16.5
Included Components:					
Cutout template		113925-7			

## INSTALLATION NOTES

If installing a rim-mount faucet, make sure there is no interference with drain overflow and circulating system before drilling any holes. Consult local and national codes for minimum air gap requirements if installing a spout on the faucet deck.

Pump is supplied with a grounding-type plug-in cord. Locate the outlet behind the whirlpool, and within 24" of the pump. The apron must be installed before the finish floor and wall materials are installed.

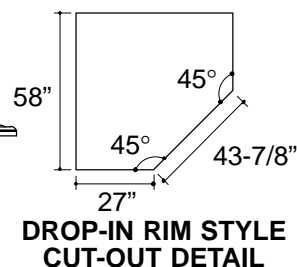


### ROUGHING-IN NOTES

No change in measurements if connected with drain illustrated.

Minimum access panel:

Pump/control	20" W x 15" H	required
Provide pump/control access in either location shown; supplies must not interfere with pump/control access.		
Faucet area		recommended



## PRODUCT DIAGRAM