

## Ordering Information

| Accessories/hardware: |        |             |
|-----------------------|--------|-------------|
| Jet trim kit          | K-9661 | required    |
| Transfer valve trim*  | varies | required    |
| Handshower*           | varies | required    |
| Faucet trim kit*      | varies | required    |
| Drain                 | K-7167 | recommended |

\*See specification sheet or price book for required accessories.

## Required Electrical Service

|  |                     |
|--|---------------------|
| Two separate dedicated circuits required, each protected with Class A Ground-Fault Circuit-Interrupter (GFCI): |                     |
| Pump/control, (waterfall)  | 120 V., 20 A, 60 Hz |
| Pump/control, (jets)   | 120 V., 20 A, 60 Hz |

## Product Information

| Fixture*:    | basin area    | top area      | weight  |
|--------------|---------------|---------------|---------|
| Bathing well | 1549 x 1168mm | 1727 x 1473mm | 109 Kg. |
|              | water depth   | capacity      |         |
| To overflow  | 508mm         | 814 litres    |         |

\* Approximate measurements for comparison only.

| Pump: (Qty. 2) | HP | V   | Hz | A    |
|----------------|----|-----|----|------|
| 1-speed        | 2  | 120 | 60 | 18.5 |

| Included Components: |         |
|----------------------|---------|
| Cutout template      | 85899-7 |

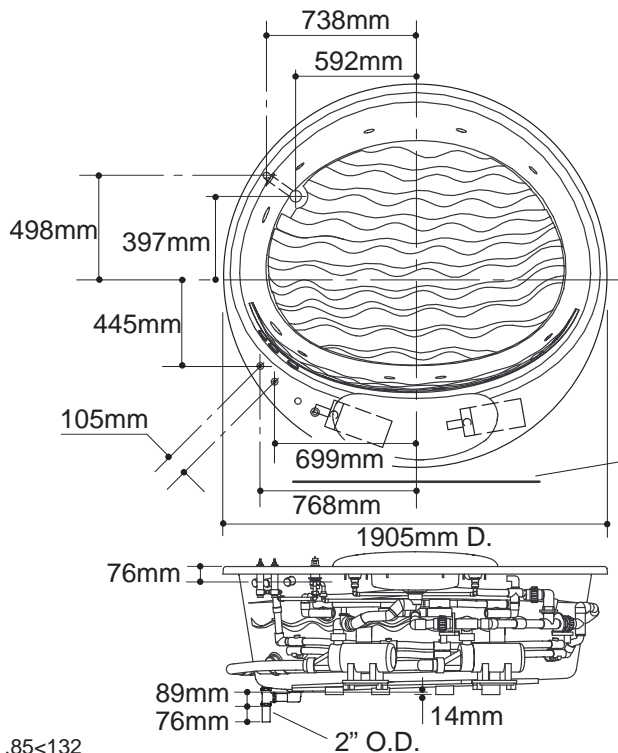
## Installation Notes

Refer to installation instructions included with fixture before beginning installation.

**NOTICE:** The floor must support 1359 Kg.

Pumps are supplied with grounding-type plug-in cords. Locate the outlets behind the RiverBath, and within 610mm of the pumps. Consult local and national codes for minimum air gap requirements if installing a spout on the faucet deck other than that supplied.

Two 227 litre (454 litre total) water heaters are necessary to fill RiverBath.



| Roughing-In Notes   |                    |          |
|---|--------------------|----------|
| Fixture conforms to ANSI Standard Z124.1. All dimensions are nominal. |                    |          |
| No change in measurements if connected with drain illustrated.        |                    |          |
| Minimum access panel:   |                    |          |
| Pump/control  | 1219mm W x 457mm H | required |

