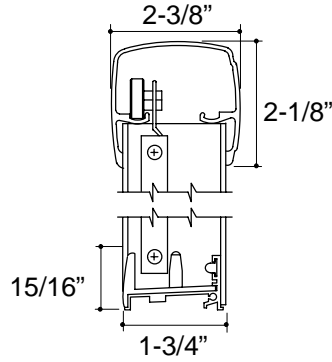
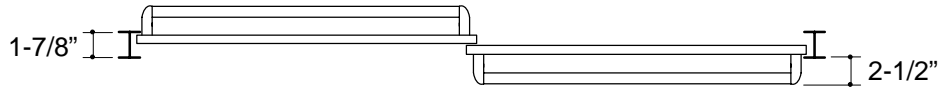


Installation Notes

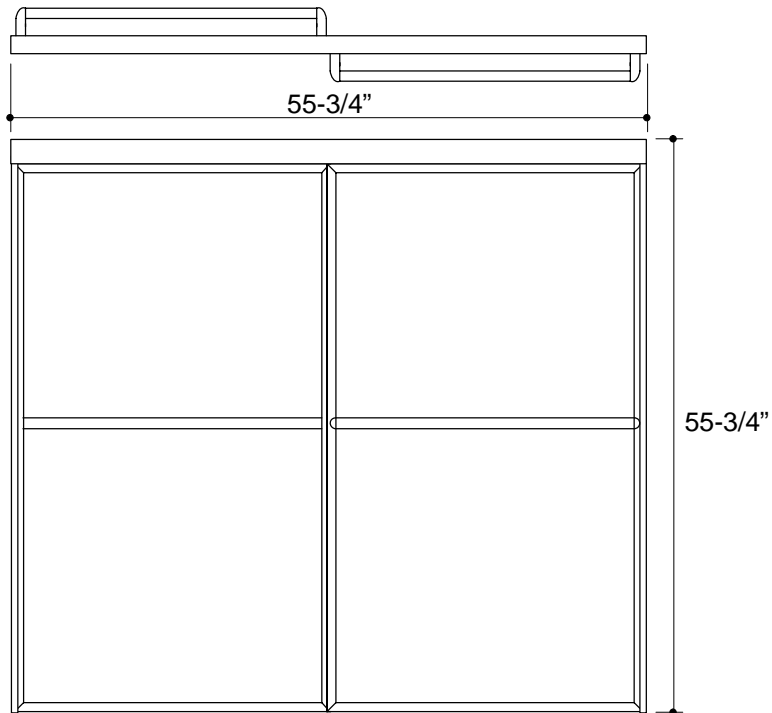
Refer to installation instructions included with fixture before beginning installation.



ELEVATION



PLAN VIEW



FRONT VIEW