

Ordering Information

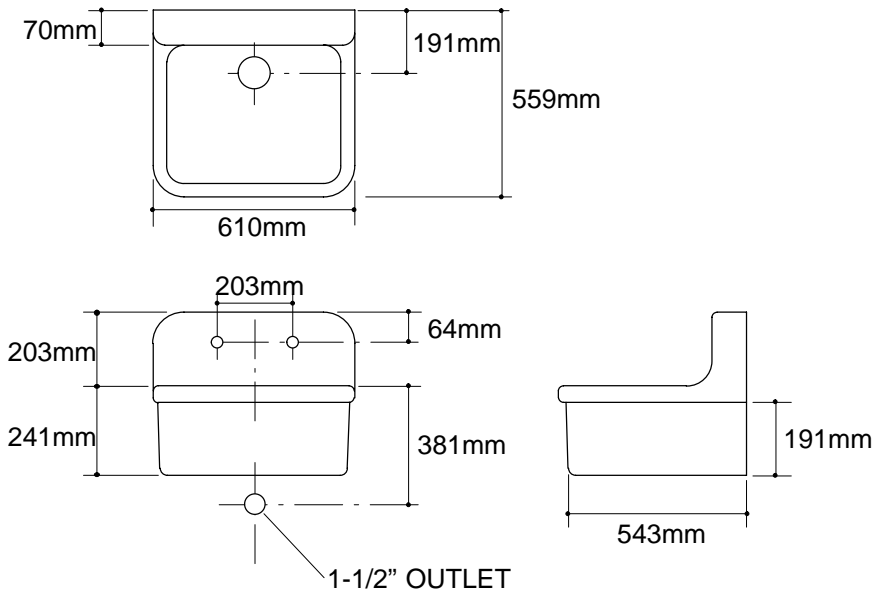
Accessories/hardware:		
Bottom basin rack	K-6013	optional

Product Information

Fixture*:		basin area	water depth
Sink		559 x 457mm	219mm
Outlet	Ø92mm		
* Approximate measurements for comparison only.			

Roughing-In Notes

Fixture dimensions are nominal and conform to tolerances in ASME/ANSI Standard A112.19.2M.



.7<116