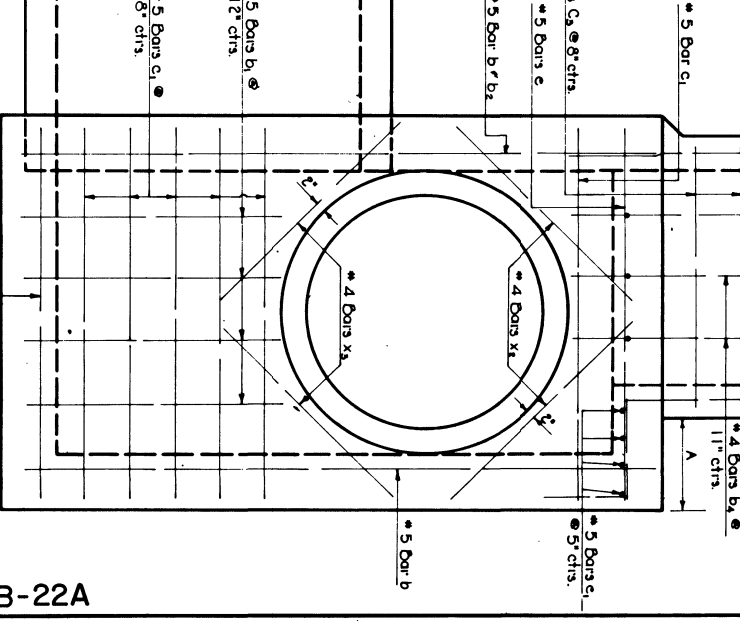
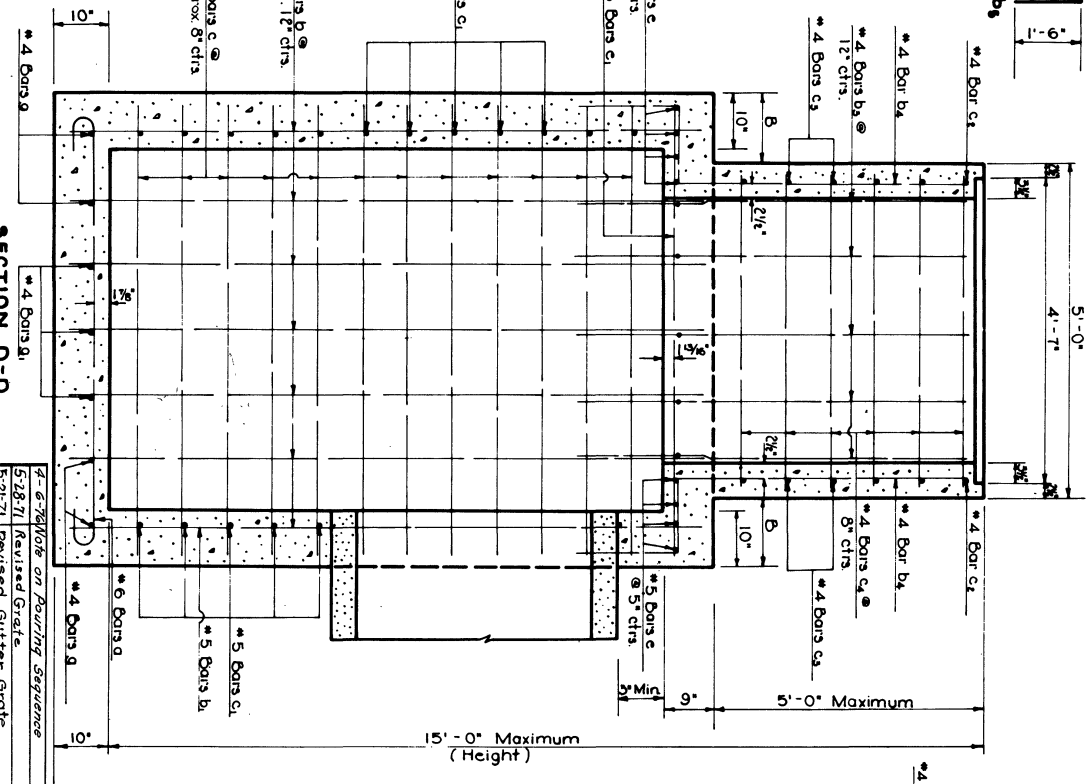
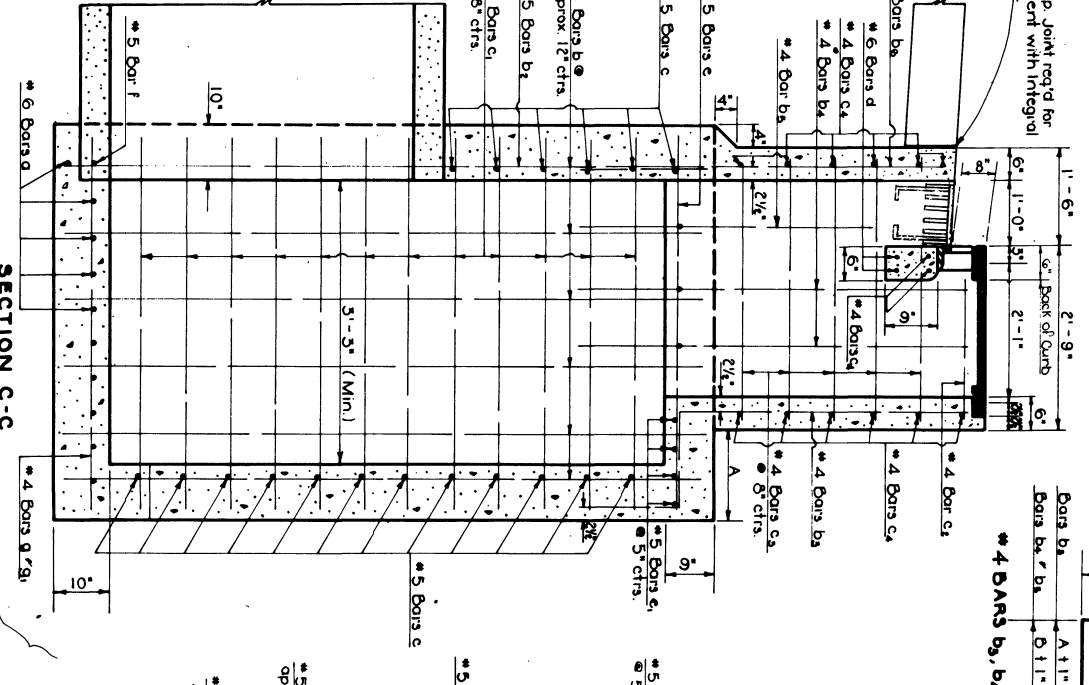
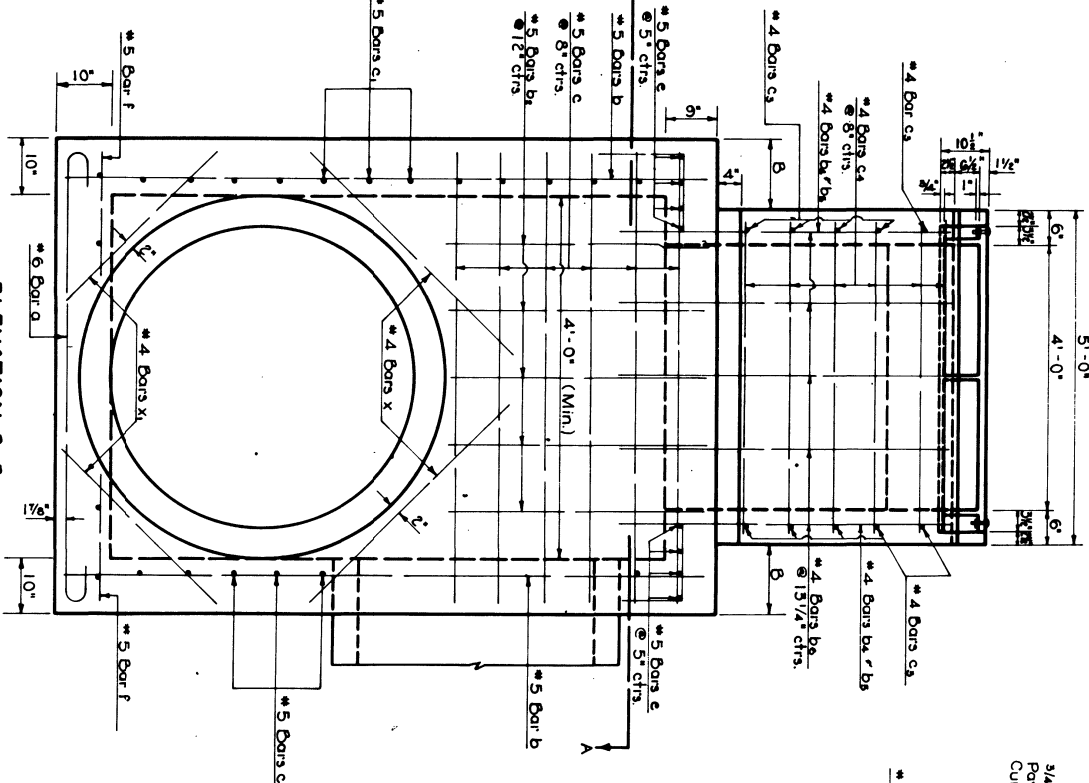


6 BARS D

Pipe Dia.	A	B
Up to 30"	4"	4"
36"	9"	4"
42"	11-4"	5 1/2"
48"	11-11"	9"
54"	2'-6"	11-0 1/2"
60"	3'-1"	11-4"
66"	3'-8"	11-7 1/2"
72"	4'-3"	11-11"



Note: The Contractor will not pour above the bottom of the slab until the pouring adjacent to the basin has been completed.

Various #4 Bars 'x' Req'd. for Pipes 42" Dia. & over.

STANDARD PLAN
R.C. CATCH BASIN
CURB & GUTTER GRATE
FOR HEIGHTS FROM 8'-1" TO 15'-0"

DATE: Aug. 22, 1961

STATE OF LOUISIANA
DEPARTMENT OF HIGHWAYS

NO.	DATE	DESCRIPTION	BY
1	5-28-71	Revised gutter grate	W.E.M.
2	9-24-61	Curb Location Added	W.E.M.

DESIGNED BY: J. J. MULLIN
CHECKED BY: J. J. MULLIN
IN CHARGE OF ORIGINAL: Signed by Chief Engineer