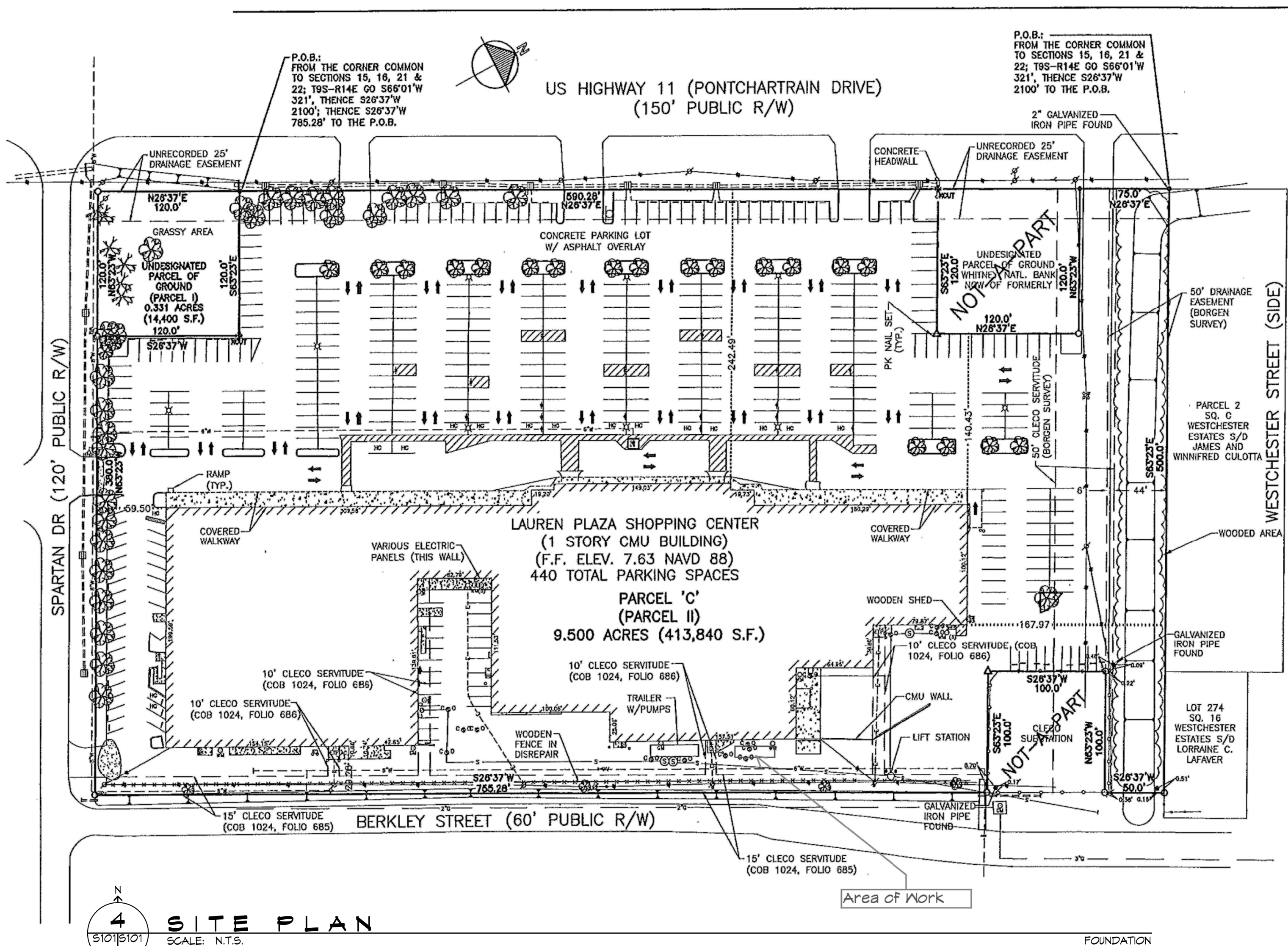


P.E. M.B. - 10101 Dammon/Chap. Sec. - Generator - LaFayette - Pontchartrain/Section S101 - Foundation - Date: 02/28/19 - 4:00 PM - Number: 1 - 2012-2019



**4 SITE PLAN**  
SCALE: N.T.S.

FOUNDATION

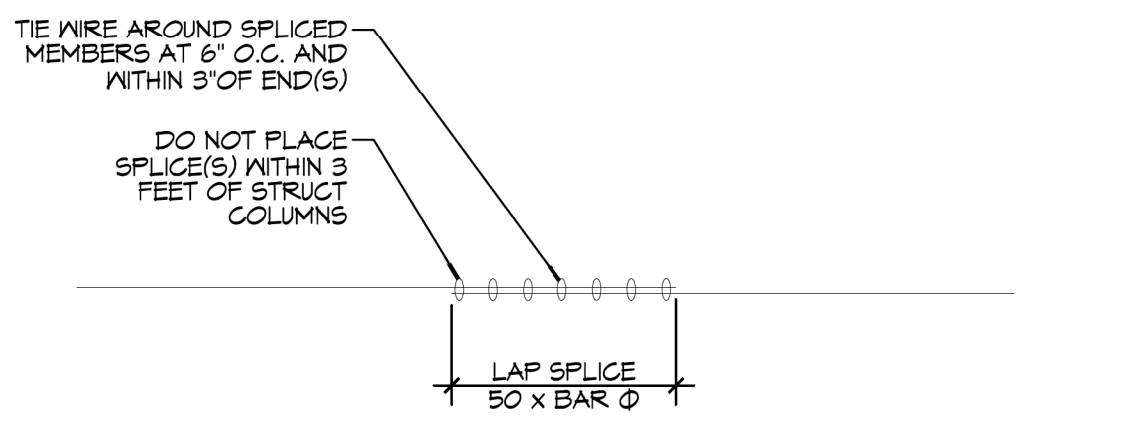
**FOUNDATION NOTES**

1. ALL DIMENSIONS ARE EDGE OF CONCRETE (EOC) TO EDGE OF CONCRETE (EOC) UNLESS NOTED OTHERWISE.
2. CONCRETE MIX SHALL HAVE A MINIMUM COMPRESSIVE STRENGTH OF 3000 PSI AT 28 DAYS. CONCRETE MIX SHALL BE IN ACCORDANCE WITH ACI-318.
3. ALL CONVENTIONAL REINFORCING STEEL SHALL MEET ASTM-A615 (GRADE 60).
4. ALL REINFORCING STEEL AND MESH SHALL BE SECURELY SUPPORTED TO PREVENT BOTH VERTICAL AND HORIZONTAL MOVEMENT DURING CONCRETE PLACEMENT.
5. THE CONTRACTOR SHALL VERIFY ALL DROPS, OFFSETS, BRICK LEDGES, DIMENSIONS AND CONFIGURATIONS. CONTRACTOR MUST BE RESPONSIBLE FOR SAME.

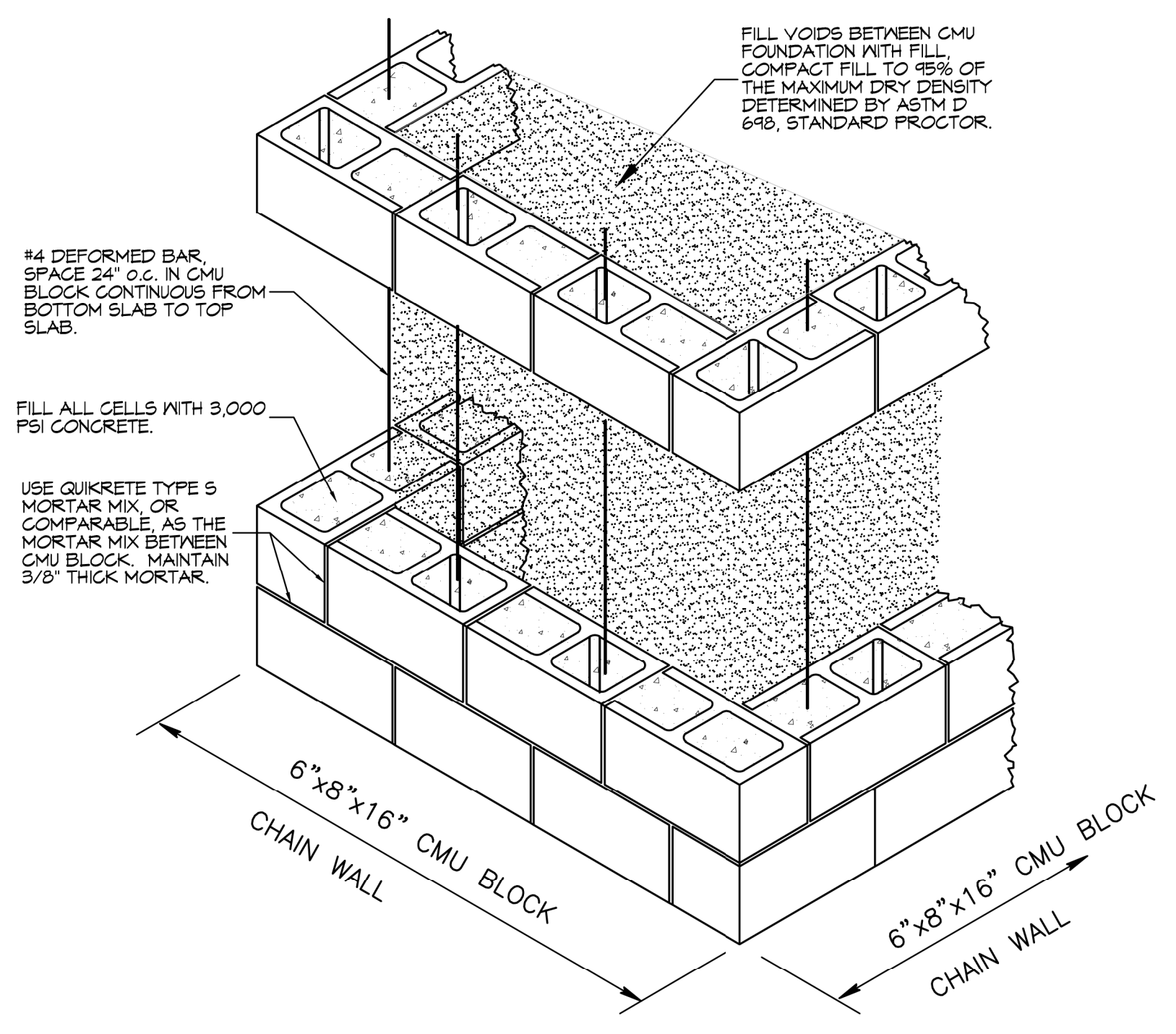
**DAMMON ENGINEERING, INC.**  
 LOUISIANA & MISSISSIPPI  
 Chief Engineer: Brian Metch, PE  
 554 Old Spanish Trail  
 Slidell, LA 70595  
 www.dammonengineering.com  
 info@dammonengineering.com  
 PH: 985.649.5832

#	DESCRIPTION	DATE

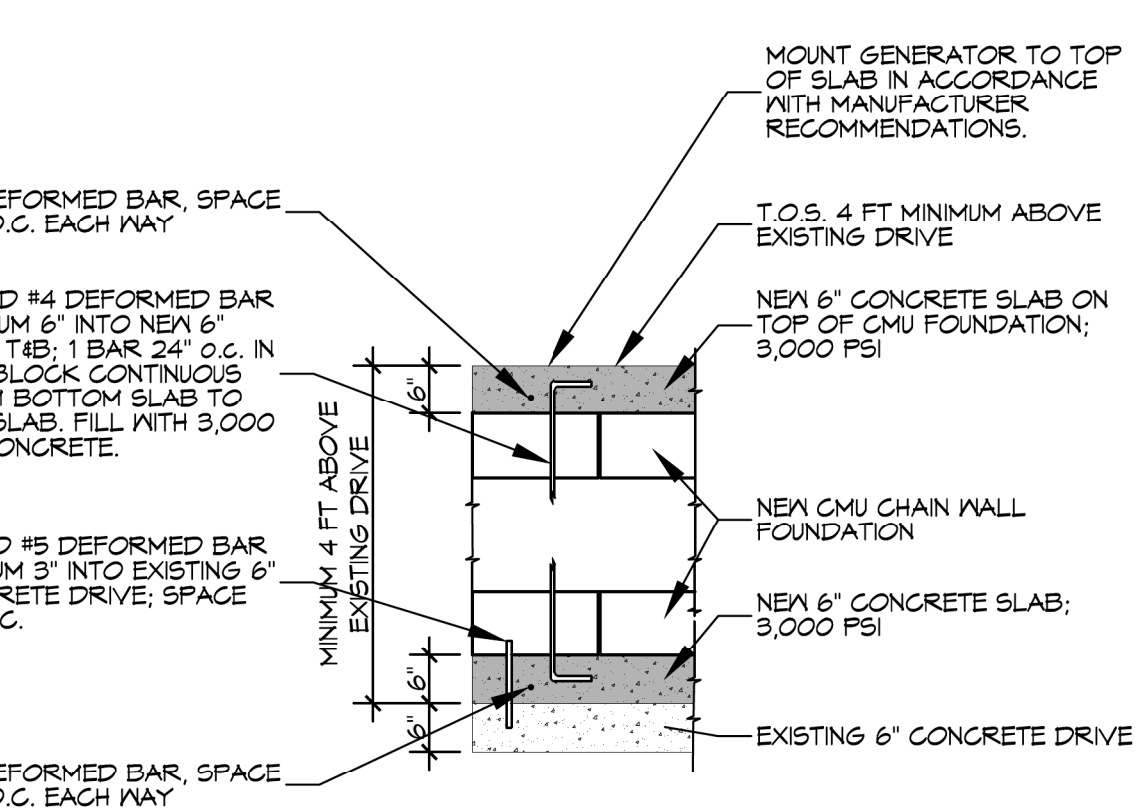
SEAL:



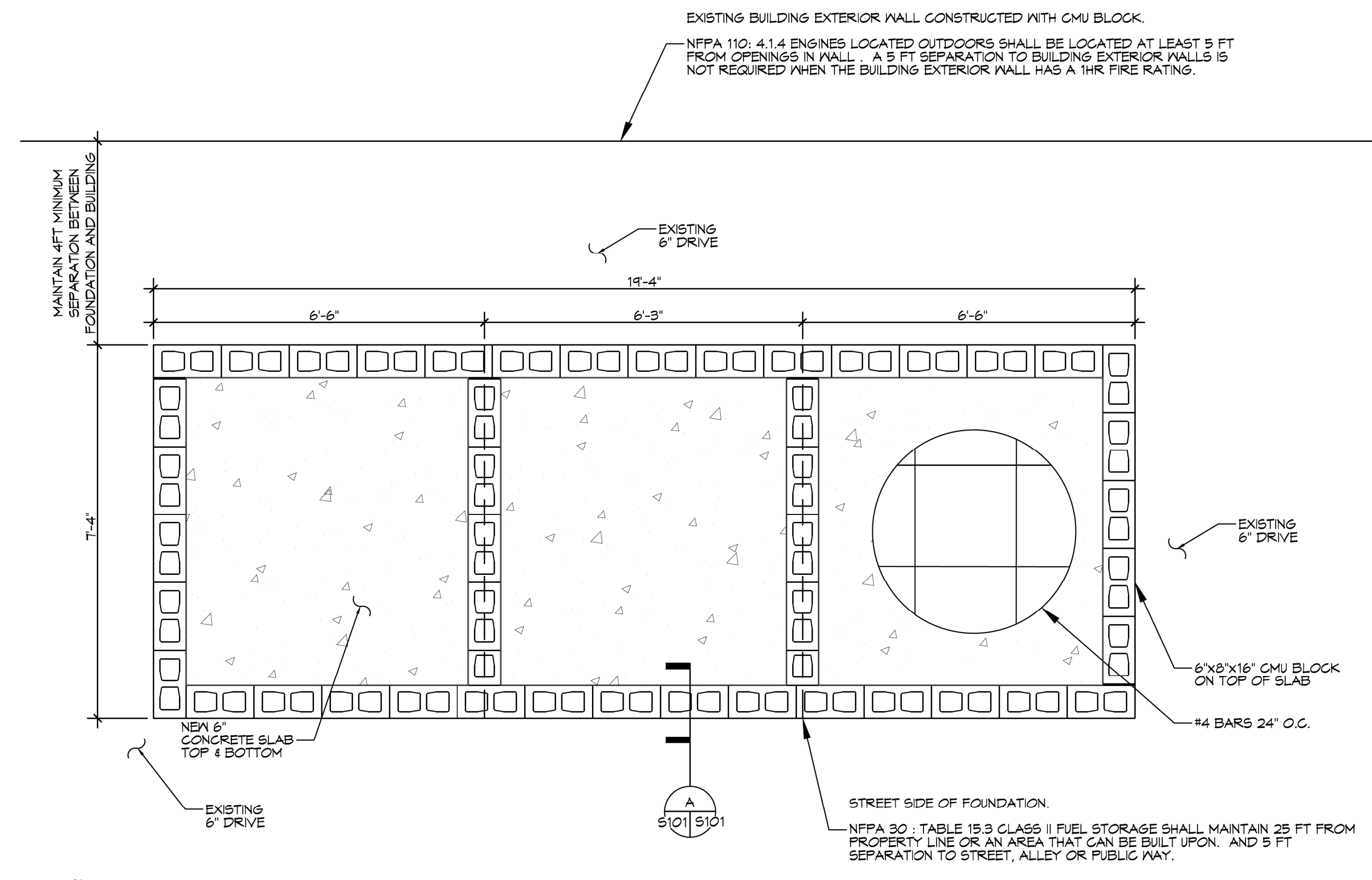
**3 DETAIL**  
SCALE: 1/2" = 1'-0"



**2 DETAIL**  
SCALE: N.T.S.



**A SECTION**  
SCALE: 1/2" = 1'-0"



**1 FOUNDATION PLAN**  
SCALE: 1/2" = 1'-0"

FOUNDATION

**FOUNDATION FOR GENERATOR**

SHEET TITLE:  
**FOUNDATION PLAN**

DRAWING NUMBER:

**S101**

SHEET No: 1 of 1