

STORE NUMBER:

ALDI  
11312 H Hwy 49  
GULFPORT, MS

EXISTING SIGNS:

- 1 CHANNEL LETTERS
- 2 5'-1" X 10'-0 1/2" PYLON

PROPOSED SIGNS:

- 1 12'-0" X 10'-0 11/16" WALL SIGN
- 2 5'-1" X 10'-0 1/2" FACE REPLACEMENT



**persona**  
SIGNS | LIGHTING | IMAGE

Persona Signs, LLC  
700 21st Street Southwest  
PO Box 210  
Watertown, SD 57201-0210  
1.800.843.9888 - www.personasigns.com

Customer:  
**ALDI**  
Location:  
**GULFPORT, MS**  
File Name:  
**465438 - GULFPORT, MS**

Project No.:  
**465438**  
Request No.:  
**64670**  
Prepared By:  
**PG**  
Date:  
**10/01/24**  
Revision:  
**0**

This sign is intended to be installed in accordance with the requirements of Article 600 of the National Electric Code and/or other applicable local codes. This includes proper grounding and bonding of the sign.  
  
This is an original document created by Persona Signs, LLC provided specifically to the client for the client's personal use. This document should not be shared, reproduced, distributed or otherwise used without written permission from Persona Signs, LLC.

Customer Approval (Please Initial):

Approval Date:



**FRONT ELEVATION**  
SCALE: 1' = 23'-0"



**GRAPHIC DETAIL**  
SCALE: 1/8" = 1'-0"



**persona**  
SIGNS | LIGHTING | IMAGE

Persona Signs, LLC  
700 21st Street Southwest  
PO Box 210  
Watertown, SD 57201-0210  
1.800.843.9888 - www.personasigns.com

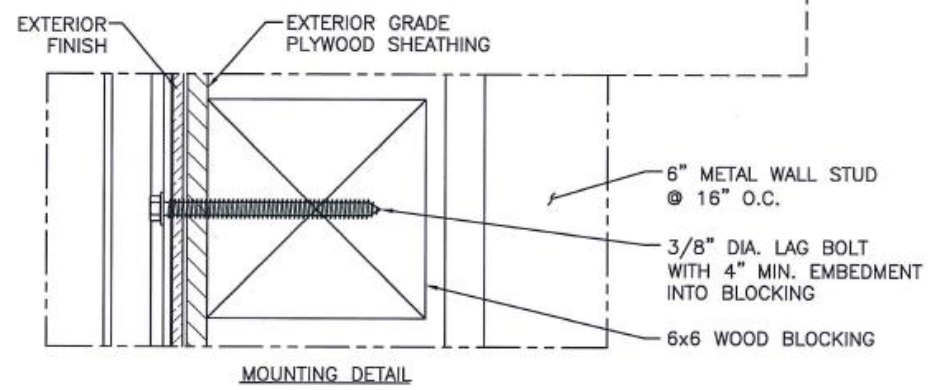
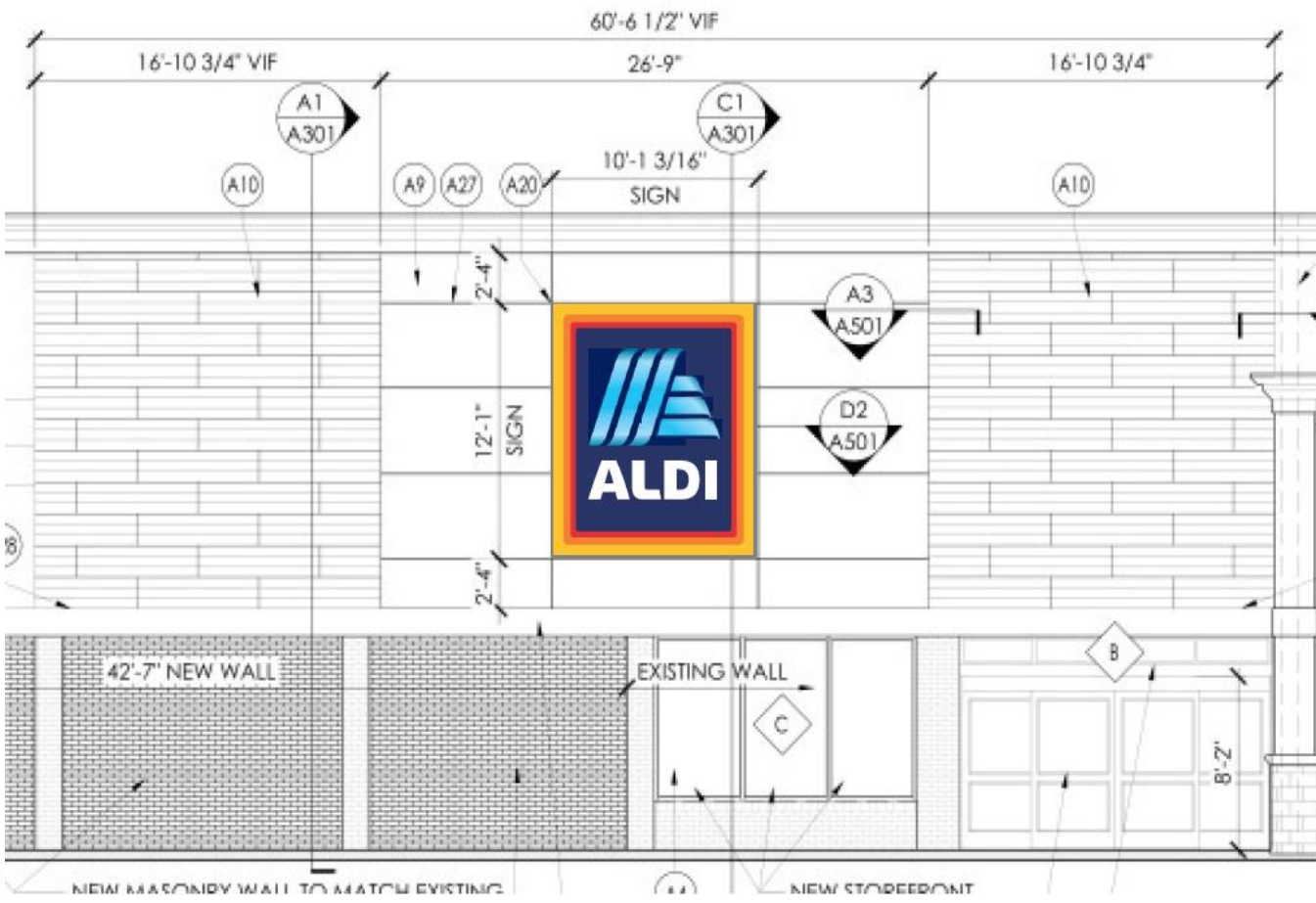
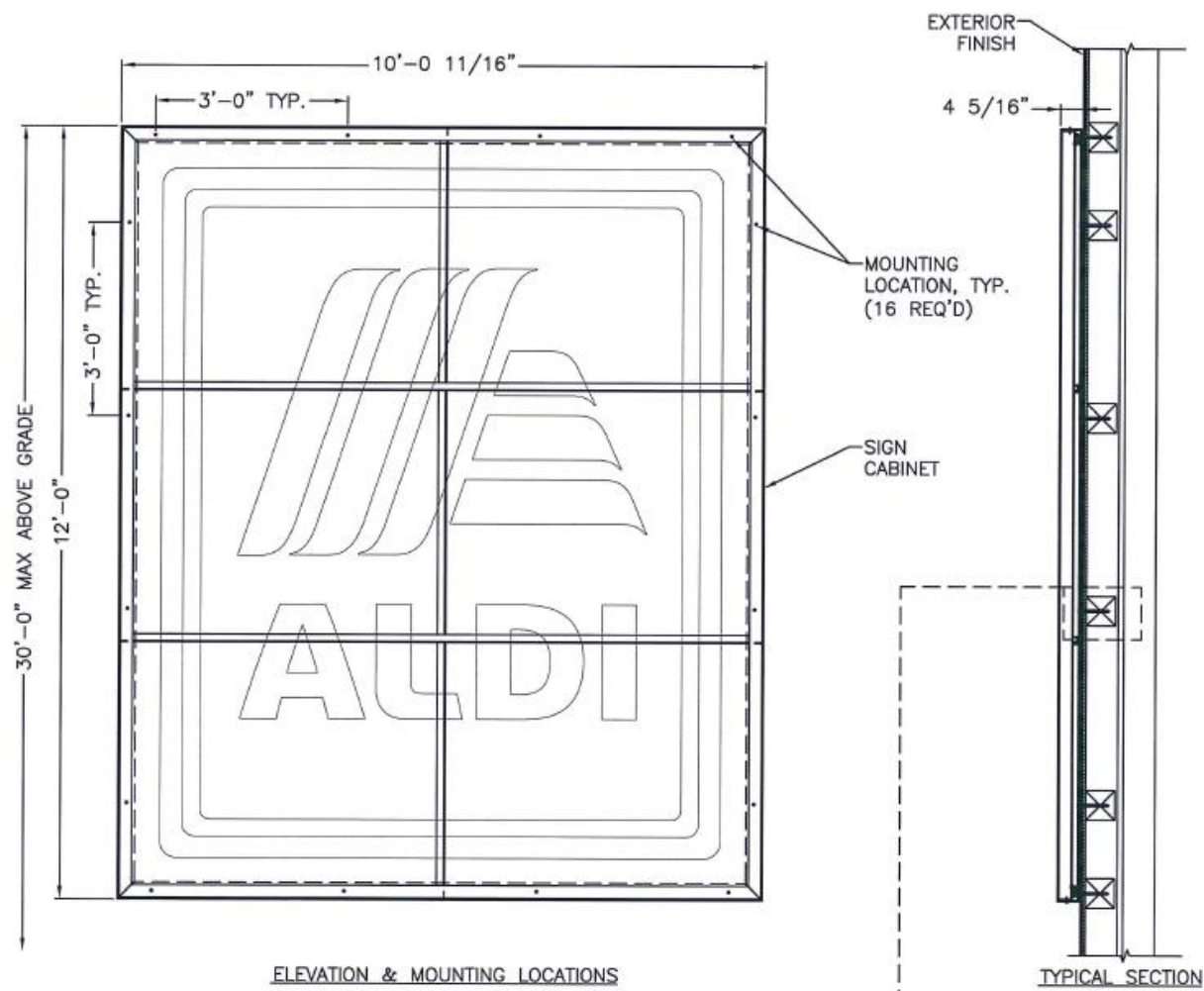
Customer: <b>ALDI</b>	Project No.: <b>465438</b>	Request No.: <b>64670</b>
Location: <b>GULFPORT, MS</b>	Prepared By: <b>PG</b>	
File Name: <b>465438 - GULFPORT, MS</b>	Date: <b>10/01/24</b>	Revision: <b>0</b>

This sign is intended to be installed in accordance with the requirements of Article 600 of the National Electric Code and/or other applicable local codes. This includes proper grounding and bonding of the sign.

This is an original document created by Persona Signs, LLC provided specifically to the client for the client's personal use. This document should not be shared, reproduced, distributed or otherwise used without written permission from Persona Signs, LLC.

Customer Approval (Please Initial):
Approval Date:

# Attachment Details of Proposed Wall Sign



FACE REPLACEMENT ONLY



EXISTING  
5'-1 1/4" X 20'-0 1/4" PYLON  
2" RETAINER



PROPOSED

OPTION 1



GRAPHIC DETAIL  
SCALE: 3/16" = 1'-0"

