

CHASE



#48600R028692

Perkins Rd

3759 Perkins Rd

Baton Rouge, LA 70808-2950

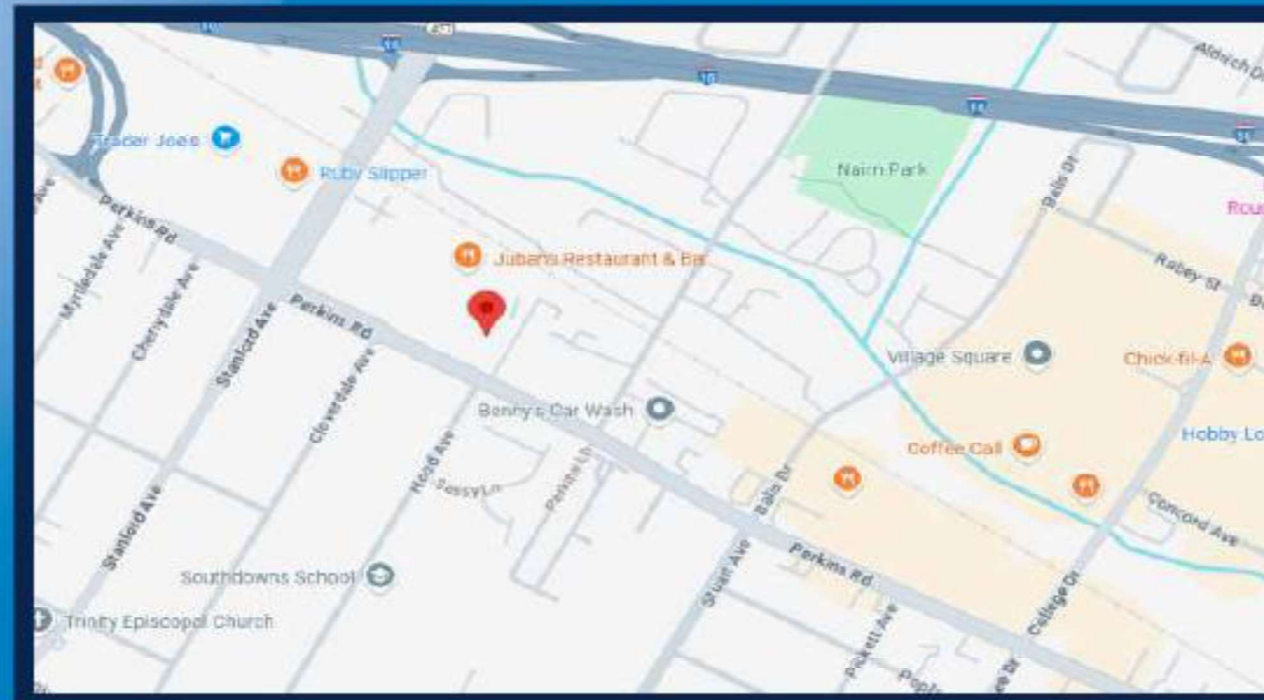
CODE CHECK LEGEND

DATE OF CODE CHECK:	07/25/2025
MAXIMUM SIGNAGE SQUARE FOOTAGE:	N/A
TOTAL SIGNAGE SQUARE FOOTAGE:	25.61 SQ. FT.

NOTES:

MAXIMUM SIGNAGE SQ. FT. NOT CALCULATED IN CODES. SUBMIT PERMITS FOR THE APPROVAL.

REVISION NOTES:



Signtech™

4444 Federal Blvd. San Diego CA 92102
Phone: (619) 527-6100 / Fax: (619) 527-6111
signtech.com



JP Morgan Chase Bank
#48600R028692

Perkins Rd
3759 Perkins Rd
Baton Rouge, LA 70808-2950

Initial Date: 08/06/25
Salesperson: Arthur Navarro
Coordinator: Melissa Lares
Designer: gmcclung
Scale: As noted

CUSTOMER APPROVAL

Customer Signature _____ Date _____

COPY, COLORS & SIZES

Signtech does NOT provide primary electrical to sign location - **RESPONSIBILITY OF OTHERS!**

Customer Signature _____ Date _____

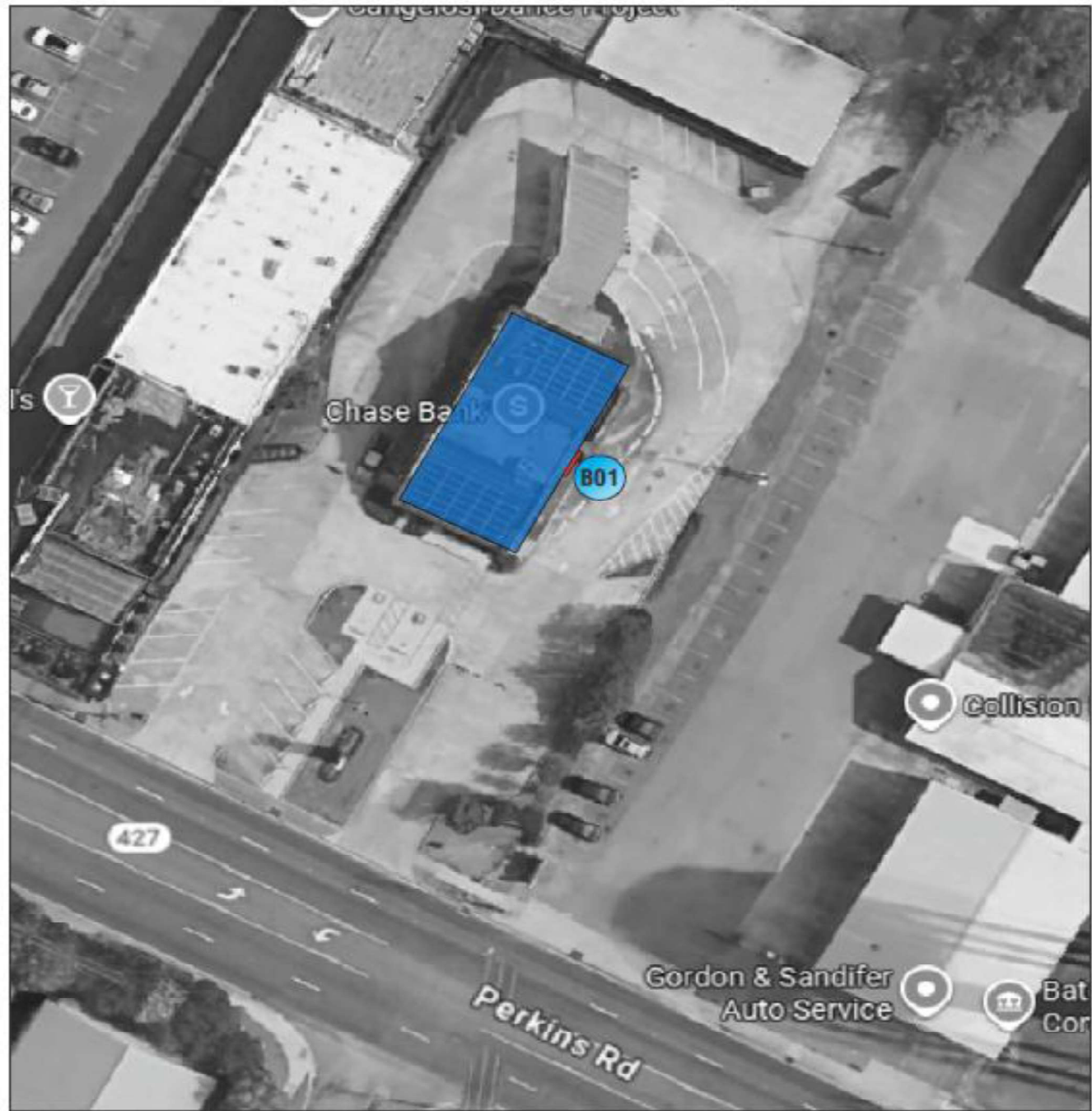
This design is the exclusive property of Signtech and cannot be reproduced in whole or in part, without their prior written approval.

Drawing Number: 25-01688

Project ID: CHASE_48600R028692_1

Revision:

EXTERIOR SCOPE OF WORK - REPLACEMENT/NEW SIGNS			
SIGN ID	ELEVATION	SIGN TYPE	DESCRIPTION
B01	East	LIF-R-WBO-20	20" White Channel Letters and Logo w/ Raceway



SITE PLAN

SCALE: NTS



Signtech

4444 Federal Blvd. San Diego CA 92102
 Phone: (619) 527-6100 / Fax: (619) 527-6111
 signtech.com



**JP Morgan Chase Bank
 #48600R028692**

Perkins Rd
 3759 Perkins Rd
 Baton Rouge, LA 70808-2950

Initial Date: 08/06/25
 Salesperson: Arthur Navarro
 Coordinator: Melissa Lares
 Designer: qmcclung
 Scale: As noted

CUSTOMER APPROVAL

Customer Signature _____ Date _____
COPY, COLORS & SIZES

Signtech does NOT provide primary electrical to sign location -
RESPONSIBILITY OF OTHERS!

Customer Signature _____ Date _____

This design is the exclusive property of Signtech and cannot be reproduced in whole or in part, without their prior written approval.

Drawing Number: 25-01688

Project ID: CHASE_48600R028692_1

Revision:

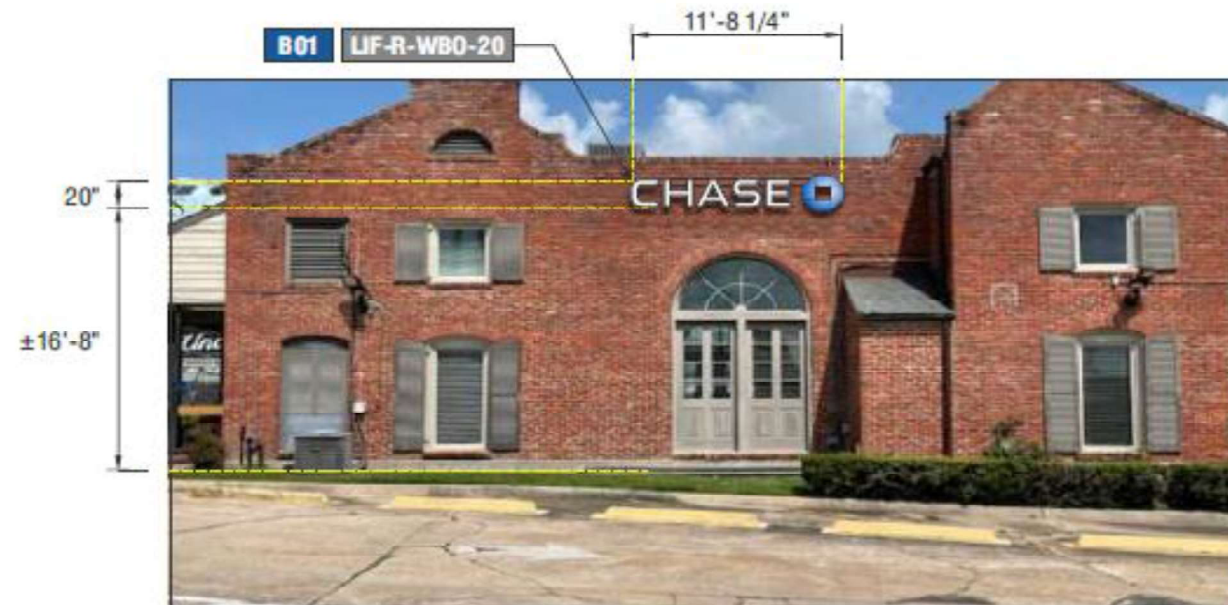
Sign Legend / Site Plan

ELEVATION/MATERIALS - ALLOWABLE
SCALE: 3/32" = 1'-0"

SIGNAGE OVERVIEW - ALLOWED



EXISTING EAST ELEVATION



PROPOSED EAST ELEVATION



Signtech™

4444 Federal Blvd. San Diego CA 92102
 Phone: (619) 527-6100 / Fax: (619) 527-6111
 signtech.com



JP Morgan Chase Bank
#48600R028692

Perkins Rd
 3759 Perkins Rd
 Baton Rouge, LA 70808-2950

Initial Date: 08/06/25
 Salesperson: Arthur Navarro
 Coordinator: Melissa Lares
 Designer: qmcclung
 Scale: As noted

CUSTOMER APPROVAL

Customer Signature _____ Date _____
COPY, COLORS & SIZES

Signtech does NOT provide primary
 electrical to sign location -
RESPONSIBILITY OF OTHERS!

Customer Signature _____ Date _____

This design is the exclusive property of Signtech
 and cannot be reproduced in whole or in part,
 without their prior written approval.

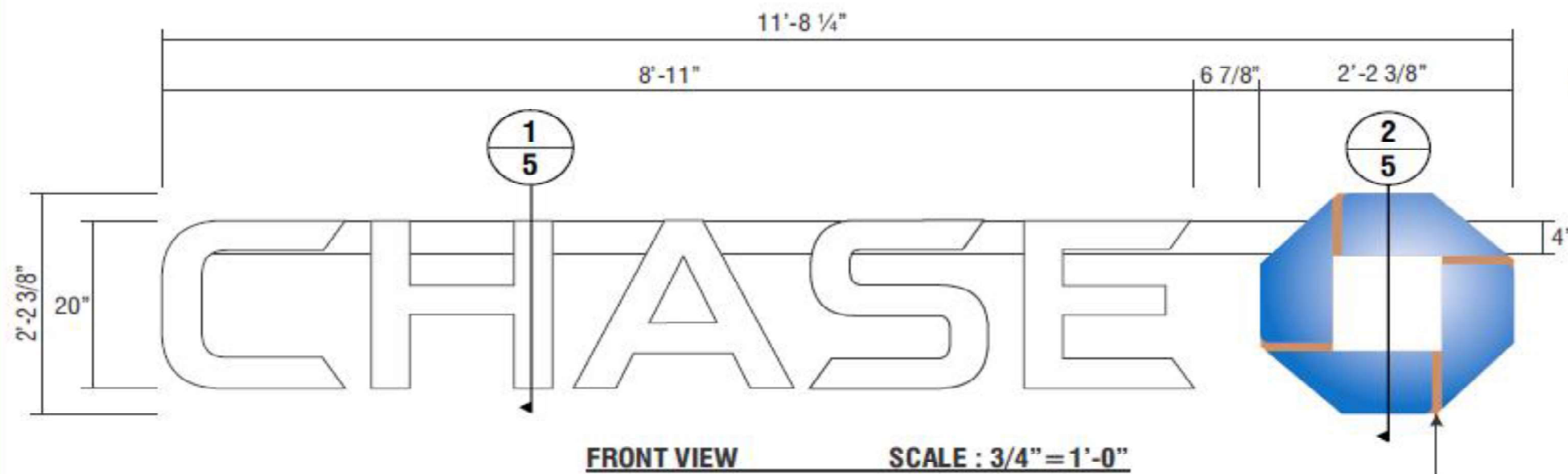
Drawing Number: 25-01688

Project ID: CHASE_48600R028692_1

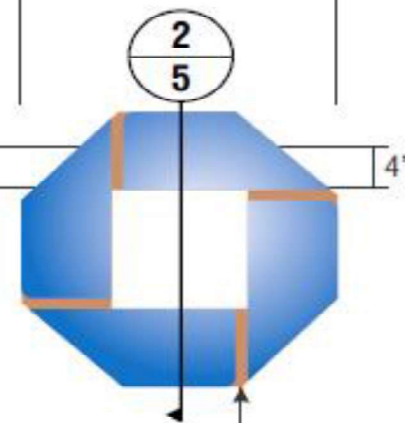
Revision:

Exterior Elevations

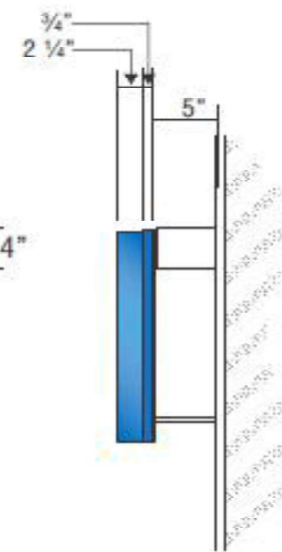




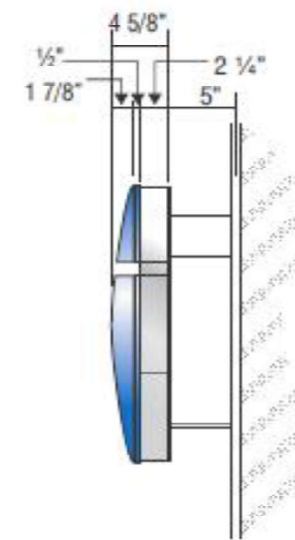
FRONT VIEW SCALE : 3/4" = 1'-0"



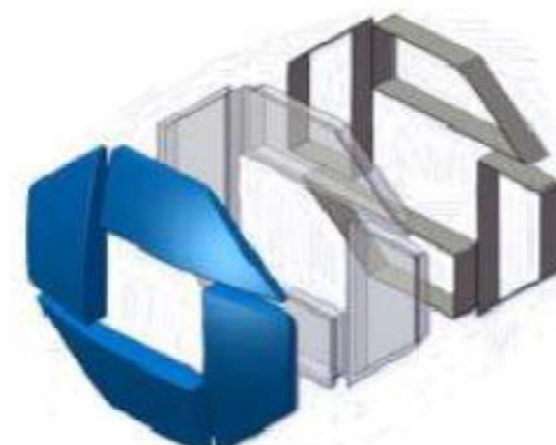
BRIDGE TO BE PAINTED TO MATCH WALL COLOR



ENDVIEW OF LETTER SCALE : 3/4" = 1'-0"



ENDVIEW OF LOGO SCALE : 3/4" = 1'-0"



3D VIEW OF OCTAGON

B01

SIGN TYPE LIF-R-WB0-20

MANUFACTURE AND INSTALL ONE (1) NEW SET(S) OF ILLUMINATED LETTERS & LOGO w/ PLEX FACES & RETURNS

LETTERS:

FACE: .177" ARISTECH #7328 P-95 WHITE PLEX (MATTE SIDE TO BE 1ST SURFACE) CHEM WELDED TO RETURNS
RETURNS: 0.118" x 3" DEEP ARISTECH #6046 BLUE WITH 3635-70 DIFFUSER VINYL ON 2ND (INTERIOR) SURFACE.
BACKS: .080" ALUM BACK WITH 3/4" x .080" OUTSIDE ALUM RETURN AND 1/2" x 1/8" ALUM ANGLE CLIPS ON INTERIOR OF LETTER FOR FACE ATTACHMENT
PAINT: EXTERIOR PAINTED MATTHEWS MP-00366 CHASE BLUE SEMI-GLOSS FINISH (60-70 UNITS) AND INTERIOR PAINTED SPRAY-LAT STAR BRITE WHITE LIGHT ENHANCEMENT PAINT.
ILLUMINATION: 7100°K WHITE PRINCIPAL SLOAN PRISM 24 #701269-7W24SJ1-MB AND SLOAN POWER SUPPLY REQUIRED FOR PROPER EVEN ILLUMINATION.

LOGO:

BACKS: .080" ALUM BACK WITH STACK WELDED 3" x .080" ALUM RETURNS.
LOGO CAN FACE: .080" ALUM BRIDGE ELEMENTS WELDED TO INSIDE & OUTSIDE RETURNS
PLEX FACE: .118" THERMO FORMED ARISTECH #6046 BLUE LOGO ELEMENTS CHEM WELDED TO 3/4" CLEAR PLEX 2ND SURFACE FACES.
PAINT: EXTERIOR PAINT MATTHEWS "CHASE NICKEL" #MP-19891 GLOSS FINISH AND INTERIOR PAINTED SPRAY-LAT STAR BRITE WHITE LIGHT ENHANCEMENT PAINT.
ILLUMINATION: BLUE PRINCIPAL SLOAN PRISM 24 #701269-BL24SJ1-MB AND SLOAN POWER SUPPLY AS REQUIRED FOR PROPER EVEN ILLUMINATION
RACEWAY: .063" BRAKE FORMED ALUM. RACEWAY, SIGNTECH LIBRARY 1014A
RW PAINT: PAINT RACEWAY TO MATCH BUILDING COLOR - **???? (COLOR TO FOLLOW)**

ATTACHMENT: LOWER PORTION OF LETTERS TO HAVE #10, TEK SCREWS AND SPACERS ATTACH TO WALL
SPACERS PAINT: SPACERS PAINTED TO MATCH BUILDING COLOR - **???? (COLOR TO FOLLOW)**

ELECTRICAL REQUIREMENTS FOR LED ILLUMINATION
 As required by standard #2161, Signtech Electrical Advertising, Inc., exclusively uses secondary Ground fault-Interrupted (GFI) transformers.
 Each Sign MUST have: - A dedicated branch circuit
 - Three wires: Line, Ground, and Neutral.
 - Wire Size: Min 12 GA THHN Copper Wire.
 NOTE: The gauge of the wire is dictated by the length of the run & amperage as per NEC Article 600.
 - The ground wire must be continuous & go from the sign to the panelboard ground bus.
 - Voltage between ground and neutral should measure no more than 3 volts.
 - Power to the sign must be done by a licensed electrical contractor or licensed electrician.



Signtech™
 4444 Federal Blvd. San Diego CA 92102
 Phone: (619) 527-6100 / Fax: (619) 527-6111
 signtech.com



JP Morgan Chase Bank #48600R028692

Perkins Rd
 3759 Perkins Rd
 Baton Rouge, LA 70808-2950

Initial Date: 08/06/25
 Salesperson: Arthur Navarro
 Coordinator: Melissa Lares
 Designer: qmclung
 Scale: As noted

CUSTOMER APPROVAL

Customer Signature _____ Date _____
COPY, COLORS & SIZES

Signtech does NOT provide primary electrical to sign location - **RESPONSIBILITY OF OTHERS!**

Customer Signature _____ Date _____

This design is the exclusive property of Signtech and cannot be reproduced in whole or in part, without their prior written approval.

Drawing Number: 25-01688

Project ID: CHASE_48600R028692_1

Revision:



Signtech™

4444 Federal Blvd. San Diego CA 92102
Phone: (619) 527-6100 / Fax: (619) 527-6111
signtech.com



JP Morgan Chase Bank
#4860R028692

Perkins Rd
3759 Perkins Rd
Baton Rouge, LA 70808-2950

Initial Date: 08/06/25
Salesperson: Arthur Navarro
Coordinator: Melissa Lares
Designer: gmccung
Scale: As noted

CUSTOMER APPROVAL

Customer Signature _____ Date _____
COPY, COLORS & SIZES

Signtech does NOT provide primary electrical to sign location - **RESPONSIBILITY OF OTHERS!**

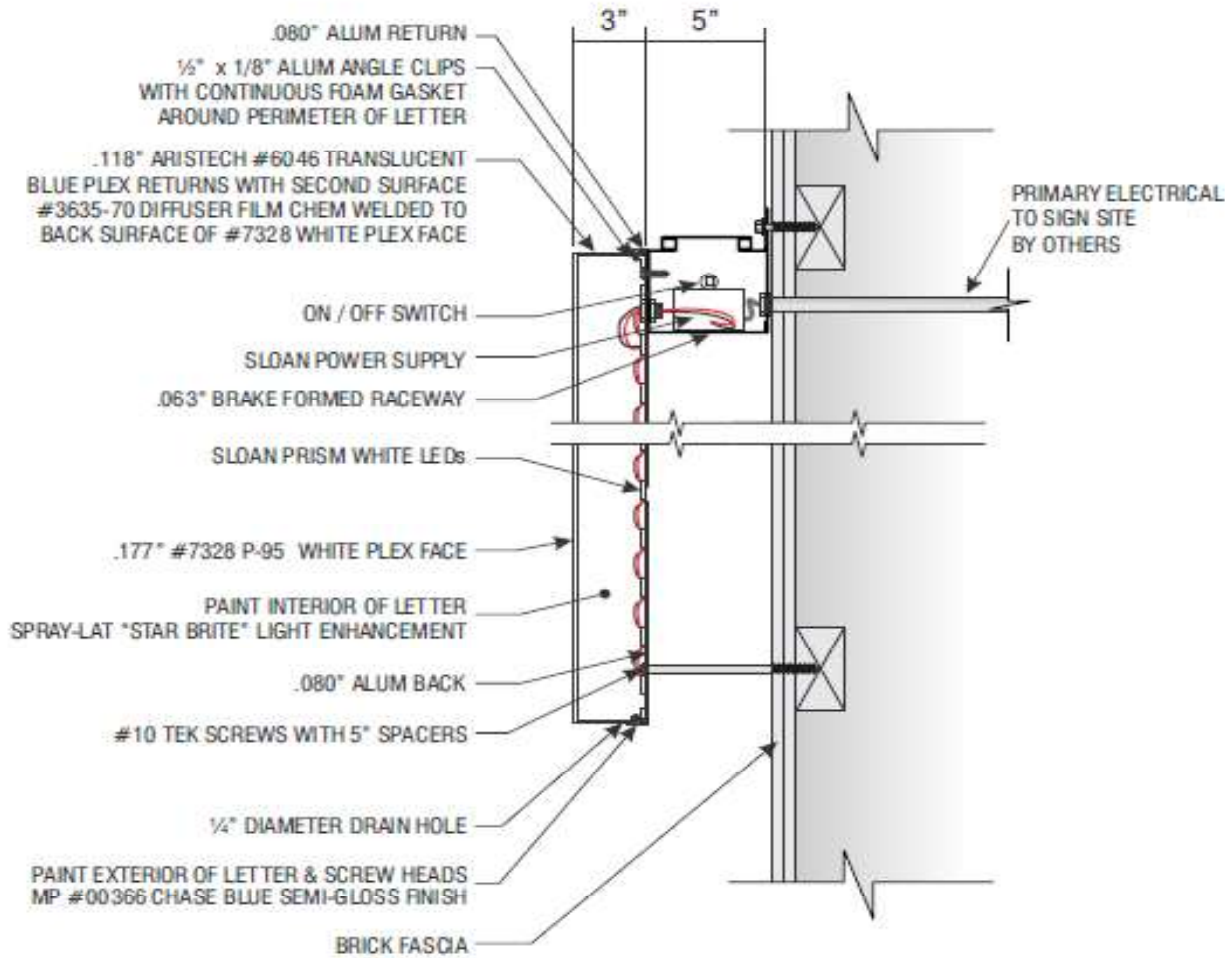
Customer Signature _____ Date _____

This design is the exclusive property of Signtech and cannot be reproduced in whole or in part, without their prior written approval.

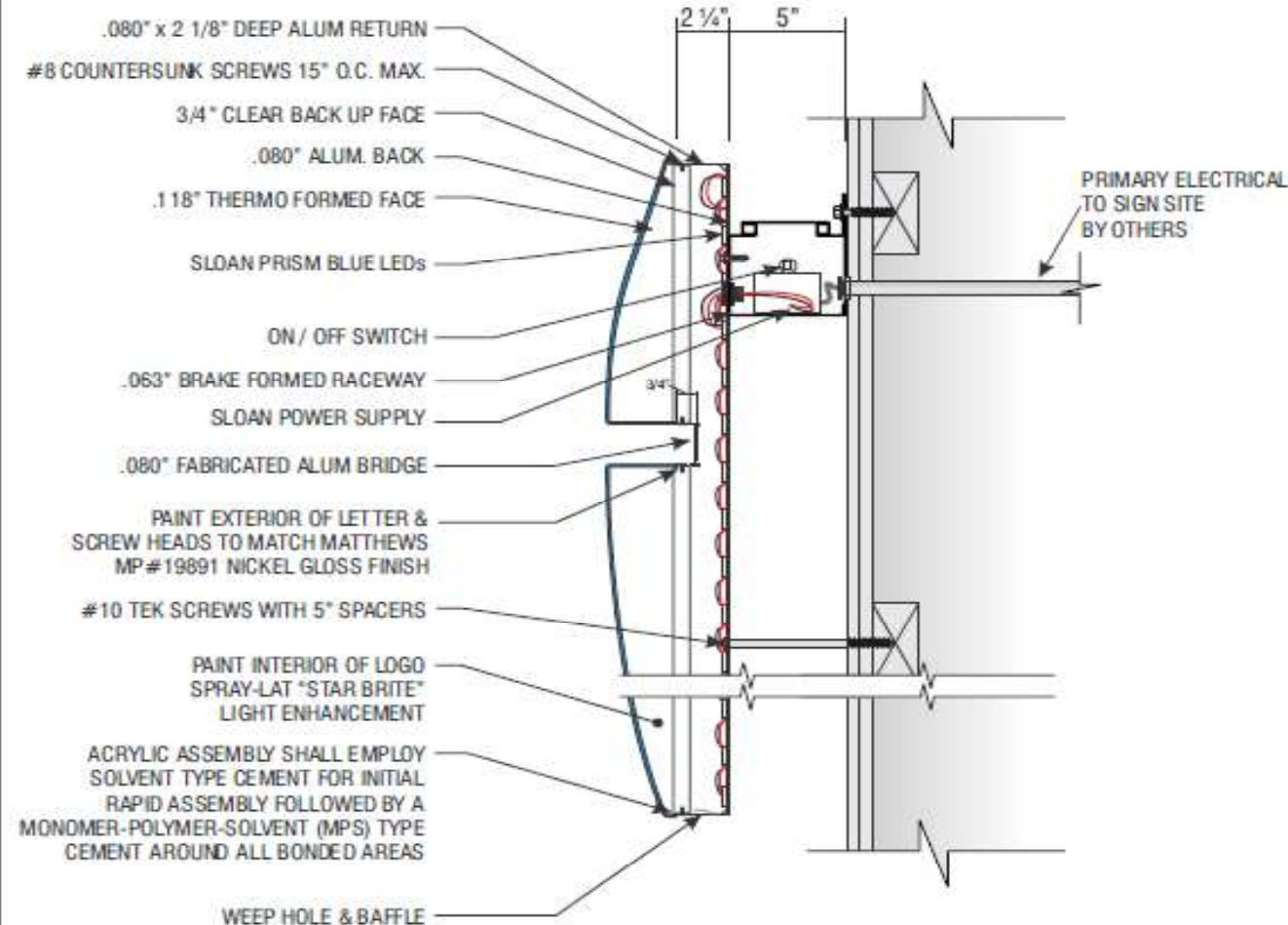
Drawing Number: 25-01688

Project ID: CHASE_4860R028692_1

Revision:



1
5 **PLEX LETTER SECTION DETAIL** **SCALE: 1 1/2" = 1'-0"**



2
5 **LOGO SECTION DETAIL** **SCALE: 1 1/2" = 1'-0"**

TOP PENETRATIONS / RW

