



#3110

**7375 Airline Hwy
Baton Rouge, LA 70805**



SITE

CODE:
 Zone/Class:C2 heavy Commercial
 Attached sign:30 percent of the wall area, with a minimum of 32 square feet
 Pylon Sign: 64 sqft max. Max height 10 or 20ft.*if set back at least 20ft from any road right of way or servitude of passage



SQUARE FEET

SIGN 1 ExtraSpaceStorage. 130

SIGN 2 ExtraSpace Storage. 50

REMOVAL 3

SIGN 4 OFFICE 2



Address _____
 #3110
 7375 Airline Hwy
 City Baton Rouge
 State LA, 70805

Program:
 Life Storage - Extra Space

This design and engineering is submitted as our proposal, and the right to use or exhibit in any form, is not authorized without written permission by Vixxo.

Notes

- *
- *
- *
- *
- *

Designer: DOL
 Design # Vx1106427
 Original Date 09/13/24
 Revision Date :

All electrical work to be completed in a U.L. approved method and shall meet current N.E.C. standards



- * All electrical components shall be U.L. listed.
- * Sign shall be grounded per N.E.C. Article 250.
- * Insulated conductors as per N.E.C. Code 310.5, type to be used - metallic insulated conductors.
- * Disconnect switch as per N.E.C. Code 600.5.



sign & lighting

page 2



The purchaser agrees to hold the seller harmless against any cause for action for damage which may occur as a result of drilling for piers and foundation, including but not limited to sewer gas line or any underground obstacles which the purchaser or others may deem valuable.

ELEVATION



SCOPE OF WORK:

- Remove & dispose of existing sign.
- Manufacture & install new channel letters.
- Connect to existing electrical.
- Re-route electrical to new sign location.
- Provide, install and program (1) Intermatic ET8015C digital timer.

PROPOSED



EXISTING



Existing 4'6"x25'3"

Extra Space Storage.

Address _____
 #3110
 7375 Airline Hwy
 City _____ Baton Rouge
 State _____ LA, 70805

Program:
Life Storage - Extra Space

This design and engineering is submitted as our proposal, and the right to use or exhibit in any form, is not authorized without written permission by Vixxo.

Notes

- +
- +
- +
- +
- +

Designer _____ DOL
 Design # _____ Vx1106427
 Original Date _____ 09/13/24
 Revision Date _____ :

All electrical scope to be completed in a UL approved method and shall meet current N.E.C. standards.

-
- * All electrical components shall be U.L. listed.
- * Sign shall be grounded per N.E.C. Article 250.
- * Insulated conductors as per N.E.C. Code 310.8 type to be used - metallic insulated wires.
- * Disconnect switch as per N.E.C. Code 600.6.

DAMMON
 ENGINEERING



sign & lighting

page 3

The purchaser agrees to hold the seller harmless against any cause for action for damages which may occur as a result of drilling for pipes and foundations, including but not limited to sewer, gas lines or any underground obstacles which the purchaser or others may deem suitable.

SQUARE FEET CALCULATIONS

Allowable	Existing	Proposed
471.42	116.00	130.00

Raceway Mount Channel Letters

SIGN
1



Name A B SQUARE FEET

ESS,GB,AW,CL,IN,42	3'-6"	37'-3"	130
--------------------	-------	--------	-----

CLEAR
3M™ Scotchcal™ 3660M Matte Overlaminate
Transparent UV Protectant Film

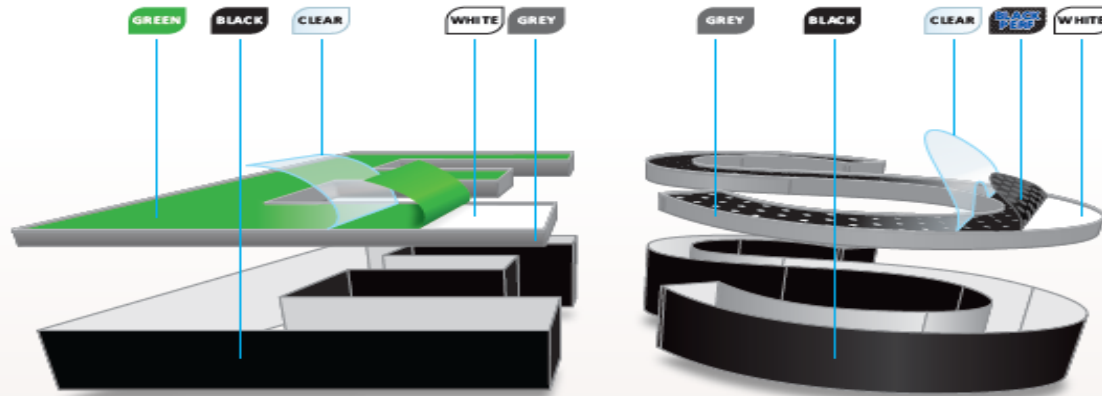
GREEN
3M™ Scotchcal™ -
3630-106 Brilliant Green -
Translucent Vinyl

BLACK
3M™ 3635 Dual-Color Film Black
3M™ Scotchcal™ 3660M Matte-

WHITE
3/16" White
Acrylic

BLACK
Black Pre-painted Coil

GREY
Dove Grey
Trimcap



Electrical Notes: All electrical components to be UL approved Customer is responsible for one (1) 120v/20a dedicated circuit with ground per sign within 6' of sign Lock out switch installed at panel box for all electrical signs Install in accordance with N.E.C. article 600 and/or local codes. This includes proper grounding and bonding of signs

**ExtraSpace
Storage.**

Address _____ #3110
7375 Airline Hwy
City _____ Baton Rouge
State _____ LA, 70805

Program:
Life Storage - Extra Space

This design and engineering is submitted as our proposal, and the right to use or exhibit in any form, is not authorized without written permission by Vixxo.

Notes

- +
- +
- +
- +
- +

Designer _____ DOL
Design # _____ Vx1106427
Original Date _____ 09/13/24
Revision Date _____

All electrical components to be completed in a UL approved method and shall meet current N.E.C. standards



* All electrical components shall be U.L. listed.
* Signs shall be grounded per N.E.C. Article 250.
* Insulated conductors as per N.E.C. Code 310.8 type to be used - metallic insulated wires.
* Disconnect switch as per N.E.C. Code 600.5.



sign & lighting

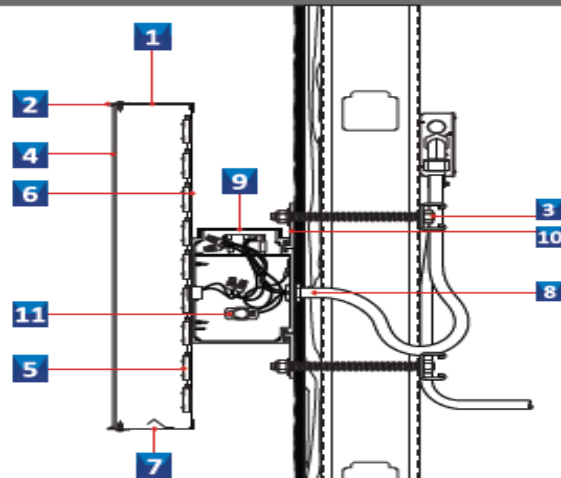
page 4

The purchaser agrees to hold the seller harmless against any cause for action for damages which may occur as a result of drilling for pipes and foundations, including but not limited to sewer, gas lines, or any underground obstacles which the purchaser or others may deem utilizable.

Specifications

- 1 5" FABRICATED ALUMINUM LETTER RETURNS PRE-PAINTED BLACK
- 2 TRIM CAP RETAINER - 1" DOVE GREY
- 3 GALVANIZED, NON-CORROSIVE INSTALLATION HARDWARE:
- 4 3/16" ACRYLIC FACE WHITE WITH 1ST SURFACE VINYL
- 5 USLED - WHITE LED
- 6 0.63" FLAT ALUMINUM BACK
- 7 1/8" WEEP HOLES (2) TWO PER LETTER WITH LIGHT BAFFLES.
- 8 GROUNDED WALL PASS-THRU SEALED WATER TIGHT.
- 9 LOW VOLTAGE POWER SUPPLY MOUNTED IN A 7" X 7" EXTRUDED ALUMINUM RACEWAY SUPPORT/WIRING BOX PAINTED TO MATCH FASCIA **SW 7537 HAS POWER**
- 10 1/2" THICK METAL FLAT BAR FOR A SECURE INSTALLATION
- 11 WATERPROOF DISCONNECT SWITCH PER NEC 600-2

Section



Manufacturing Notes

CHANNEL LETTER SETS SMALLER THAN 48" WILL BE CONSTRUCTED USING .040 ALUMINUM RETURNS & .063 ALUMINUM BACKS

CHANNEL LETTER SETS 48"-71" WILL BE CONSTRUCTED USING .063 ALUMINUM RETURNS & .090 ALUMINUM BACKS

REGISTRATION MARK TO BE BLACK VINYL ON CLEAR ACRYLIC TAB ATTACHED TO BACK OF "e" CHANNEL LETTER.



ELEVATION



SCOPE OF WORK:

- Remove & dispose of (2) two existing sign faces.
- Manufacture & install (2) two new sign faces.
- Paint existing cabinet SW7067 Cityscape.
- Paint existing pole SW7067 Cityscape.
- Provide, install and program (1) Intermatic ET8015C digital timer.

PROPOSED



EXISTING



Existing 59.75"x120.75"

**ExtraSpace
Storage.**

Address _____ #3110
7375 Airline Hwy
City Baton Rouge
State LA, 70805

Program:
Life Storage - Extra Space

This design and engineering is submitted as our proposal, and the right to use or exhibit in any form, is not authorized without written permission by Vixxo.

Notes

- *
- *
- *
- *
- *

Designer: DOL
Design # Vx1106427
Original Date 09/13/24
Revision Date :

All electrical scope to be completed in a U.L. approved method and shall meet current N.E.C. standards.

-
-
- * All electrical components shall be U.L. listed.
- * Sign shall be grounded per N.E.C. Article 250.
- * Insulate all conductors as per N.E.C. Code 310.8.
- * Type to be used - metallic insulated conductors.
- * Disconnect switch as per N.E.C. Code 600.5.



sign & lighting

page 5



The purchaser agrees to hold the seller harmless against any cause for action for damage which may occur as a result of drilling for ground fasteners, including but not limited to sewer gas lines or any underground obstacles which the purchaser or others may deem valuable.



Quantity - 2 each
 cabinet depth: 8-1/4"
 retainer: 1-1/2"

ExtraSpace Storage.

Address _____ #3110
 _____ 7375 Airline Hwy
 City _____ Baton Rouge
 State _____ LA, 70805

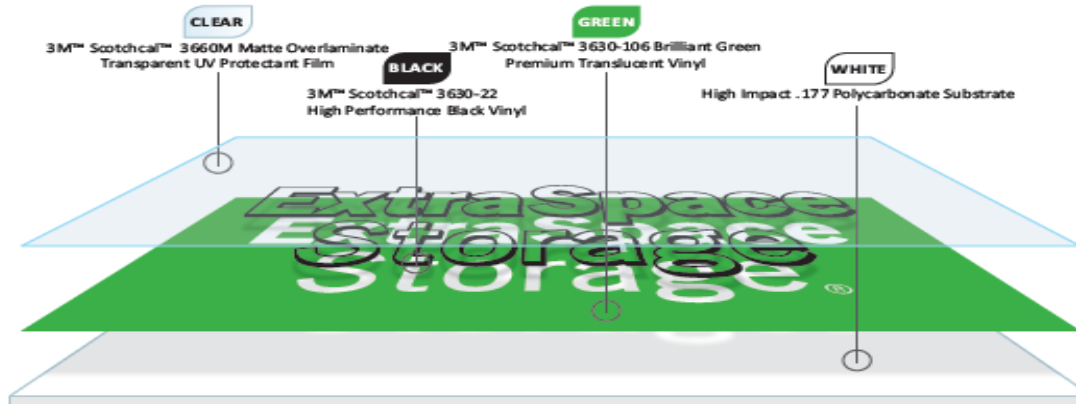
Program:
Life Storage - Extra Space

This design and engineering is submitted as our proposal, and the right to use or exhibit in any form, is not authorized without written permission by Vixxo.

Notes
 +
 +
 +
 +
 +

Designer _____ DOL
 Design # _____ Vx1106427
 Original Date _____ 09/13/24
 Revision Date _____ :

Lexan Face Specifications



All electrical scope to be completed in a UL approved method and shall meet current N.E.C. standards

UL LISTED **nec**

- * All electrical components shall be U.L. listed.
- * Sign shall be grounded per N.E.C. Article 250.
- * Insulated conductors as per N.E.C. Code 310.8.
- * Type to be used - metallic insulated conductors.
- * Disconnect switch as per N.E.C. Code 600.5.



sign & lighting



The purchaser agrees to hold the seller harmless against any cause for action for damages which may occur as a result of drilling for pipes and installations, including but not limited to sewer, gas lines or any underground obstacles which the purchaser or others may deem suitable.

ELEVATION

REMOVAL

3

SCOPE OF WORK:

Remove existing awning.
Remove lighting.
Patch holes.
Spot paint holes.
Repair damaged stucco finish.

SIGN

4

SCOPE OF WORK:

Manufacture & install new office sign.
Connect to existing electrical.
Re-route electrical to new sign location.
Provide, install and program (1) Intermatic ET8015C digital timer.

PROPOSED



EXISTING



Awning Height 28"
Awning Depth 16"
Awning Width 48"

**ExtraSpace
Storage.**

Address _____ #3110
7375 Airline Hwy
City _____ Baton Rouge
State _____ LA, 70805

Program:
Life Storage - Extra Space

This design and engineering is submitted as our proposal, and the right to use or exhibit in any form, is not authorized without written permission by Vixxo.

Notes
+
+
+
+
+

Designer: _____ DOL
Design # _____ Vx1106427
Original Date _____ 09/13/24
Revision Date _____ :

All electrical work to be completed in a U.L. approved method and in accordance with current N.E.C. standards.

 
* All electrical components shall be U.L. listed.
* Signs shall be grounded per N.E.C. Article 250.
* Insulated conductors as per N.E.C. Code 310.8 type to be used - metallic insulated seekite.
* Disconnect switch as per N.E.C. Code 600.5.



sign & lighting

page 7

The purchaser agrees to hold the seller harmless against any cause for action for damages which may occur as a result of drilling for pipes and foundations, including but not limited to sewer gas lines or any underground obstacles which the purchaser or others may deem suitable.

DAMMON
ENGINEERS ARCHITECTS

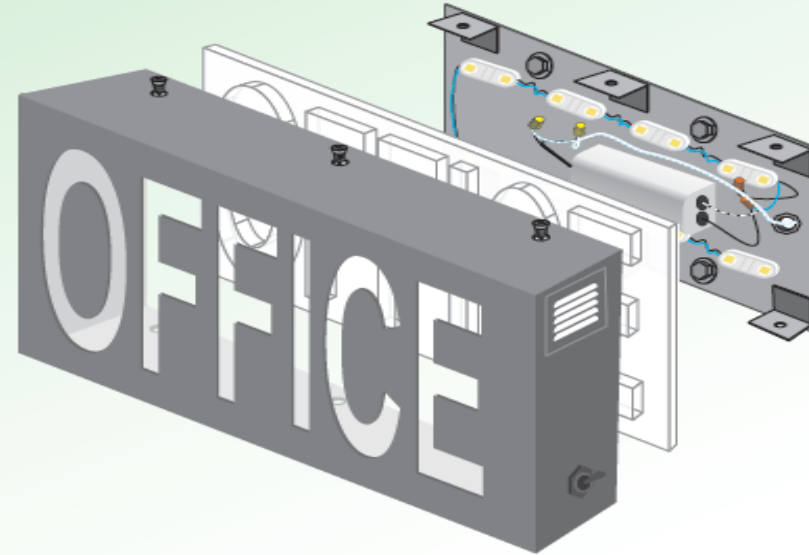
Office Wall Sign

Scale 1"=1'

Dismantled Detail

SIGN
4

2 sq/ft



**ExtraSpace
Storage.**

Address _____ #3110
 _____ 7375 Airline Hwy
 City _____ Baton Rouge
 State _____ LA, 70805

Program:
Life Storage - Extra Space

This design and engineering is submitted as our proposal, and the right to use or exhibit in any form, is not authorized without written permission by Vixxo.

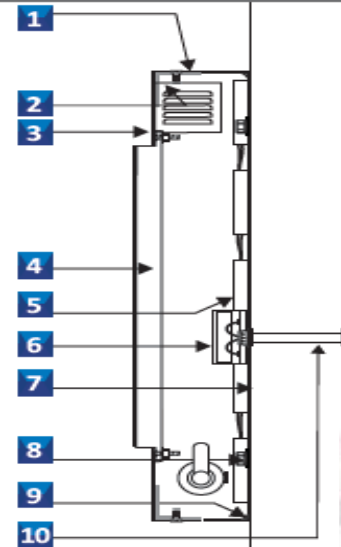
Notes

-
-
-
-
-

Specifications

- 1** .063" - 3" DEEP FABRICATED ALUMINUM CABINET PAINTED SW7067 CITY SCAPE
- 2** COUNTERSUNK SCREW / INTERNAL CLIP ATTACHMENT
- 3** .063" THICK ROUTED ALUMINUM PLATE FACE
- 4** 1/2" WHITE ACRYLIC, POCKET ROUTED FOR 3/8" PUSH THROUGH VISIBLE
- 5** WHITE CLIENT APPROVED LED
- 6** LOW VOLTAGE ELECTRONIC TRANSFORMER
- 7** .063" ALUMINUM BACK
- 8** 3/8" THREADED RIVETS INSERTED FOR INSTALLATION
- 9** SILICONE SEAL ALL INTERIOR SEAMS
- 10** GROUNDED WALL PASS-THRU SEALED WATER TIGHT

Section



Electrical Notes: All electrical components to be UL approved Customer is responsible for one (1) 120v/20a dedicated circuit with ground per sign within 6' of sign Lock out switch installed at panel box for all electrical signs Install in accordance with N.E.C. article 600 and/or local codes. This includes proper grounding and bonding of signs



Designer _____ DOL
 Design # _____ Vx1106427
 Original Date _____ 09/13/24
 Revision Date _____ :

All electrical scope to be completed in a UL approved method and shall meet current N.E.C. standards

-
- * All electrical components shall be U.L. listed.
- * Sign shall be grounded per N.E.C. Article 250.
- * Insulated conductors as per N.E.C. Code 310.8 type to be used - metallic insulated wire.
- * Disconnect switch as per N.E.C. Code 600.5.



sign & lighting

page 8

The purchaser agrees to hold the seller harmless against any cause for action for damages which may occur as a result of drilling for pipes and/or conduits, including but not limited to sewer, gas lines or any underground obstacles which the purchaser or others may deem visible.