

Stratus[®]

onestratus.com
888.503.1569

LOCATION NUMBER:

LFT - Lafayette Regional Airport

SITE ADDRESS:

123 Grissom Dr
Lafayette, LA 70508

[View in Google Maps](#)



**SIGNATURE
AVIATION**

Infinite possibilities, ideal solutions.

SITE PLAN

Scale: NTS

E01



E02

E06

E07

SIGN LOCATIONS TO BE VERIFIED



Stratus

onestratus.com
8959 Tyler Boulevard
Mentor, Ohio 44060
888.503.1569

CLIENT:
SIGNATURE AVIATION

ADDRESS:
123 GRISSOM DR
LAFAYETTE, LA 70508

ORDER NUMBER:
1199095

SITE NUMBER:
190452

PROJECT NUMBER:
87724

PROJECT MANAGER:
DUSTIN SAN MIGUEL

ELECTRONIC FILE NAME:
G:\ACCOUNTS\SIGNATURE FLIGHT SUPPORT_LOCATIONS_2025\LALFT_Lafayette Regional Airport_LFT_Lafayette Regional Airport R9.cdr

Rev #	Req #	Date/Artist	Description
Original	451382	11/16/23 RH	
Rev 1	458816	01/08/24 Z-RU	
Rev 2	514449	03/03/25 KF	Added page
Rev 3	520619	03/19/25 RH	
Rev 4	521863	03/21/25 RH	
Rev 5	522236	03/26/25 RH	
Rev 6	524301	04/07/25 KF	Added E11

Rev #	Req #	Date/Artist	Description
Rev 7	526373	04/17/25 KF	
Rev 8	533744	05/29/25 CA	
Rev 9	538207	06/24/25 CA	

PRINTS ARE THE EXCLUSIVE PROPERTY OF STRATUS. THIS MATERIAL SHALL NOT BE USED, DUPLICATED, OR OTHERWISE REPRODUCED WITHOUT THE PRIOR WRITTEN CONSENT OF STRATUS.

E01

REPLACEMENT FACE

Scale: 3/16" = 1'-0"

TERMINAL LANDSIDE

EXISTING SIGN SF:	85.5
PROPOSED SIGN SF:	85.5

EXISTING CONDITIONS



EXISTING 6'-0" X 14'-1/4" NON-ILLUMINATED SIGNATURE CABINET TO BE REFACED



±300'-0"

C/L

C/L

±12'-0"



Stratus

onestratus.com

8959 Tyler Boulevard

Mentor, Ohio 44060

888.503.1569

CLIENT: **SIGNATURE AVIATION**

ADDRESS: 123 GRISSOM DR
LAFAYETTE, LA 70508

ORDER NUMBER: 1199095

SITE NUMBER: 190452

ELECTRONIC FILE NAME:
G:\ACCOUNTS\8\SIGNATURE FLIGHT SUPPORT_LOCATIONS_2025\LAF_Lafayette Regional Airport
LFT_Lafayette Regional Airport R9.cdr

PROJECT NUMBER: 87724

PROJECT MANAGER: DUSTIN SAN MIGUEL

Rev #	Req #	Date/Artist	Description
Original	451382	11/16/23 RH	
Rev 1	458816	01/08/24 Z-RU	
Rev 2	514449	03/03/25 KF	Revised per notes
Rev 3	520619	03/19/25 RH	Revised scope
Rev 4	521869	03/21/25 RH	
Rev 5	522286	03/26/25 RH	
Rev 6	524301	04/07/25 KF	

Rev #	Req #	Date/Artist	Description
Rev 7	526373	04/17/25 KF	
Rev 8	533744	05/29/25 CA	
Rev 9	538207	06/24/25 CA	

PRINTS ARE THE EXCLUSIVE PROPERTY OF STRATUS. THIS MATERIAL SHALL NOT BE USED, DUPLICATED, OR OTHERWISE REPRODUCED WITHOUT THE PRIOR WRITTEN CONSENT OF STRATUS.

E01**REPLACEMENT FACE**

Scale: 3/8"=1'-0"

TERMINAL LANDSIDE

85.5 square feet

**COLOR PALETTE**

Paint finish to be satin unless otherwise specified

CABINET: Existing non-illuminated cabinet w/ **1-1/2"** retainers to remain; Cabinet & retainers painted to match Runway

FACES: **.187 Flat white polycarbonate**

GRAPHICS: Digitally printed graphics to match Runway;
Reverse weeded to show thru white

QUANTITY: (1) ONE REQUIRED

Stratus®

onestratus.com

 8959 Tyler Boulevard
Mentor, Ohio 44060

888.503.1569

CLIENT:
ADDRESS:
 123 GRISSOM DR
LAFAYETTE, LA 70508
PAGE NO.:
ORDER NUMBER:
1199095

SITE NUMBER:
190452

ELECTRONIC FILE NAME:
 G:\ACCOUNTS\8\SIGNATURE FLIGHT SUPPORT\LOCATIONS_2025\LALFT_Lafayette Regional Airport
LFT_Lafayette Regional Airport R9.cdr

PROJECT NUMBER:
87724

PROJECT MANAGER:
DUSTIN SAN MIGUEL

Rev #	Req #	Date/Artist	Description	Rev #	Req #	Date/Artist	Description
Original	451382	11/16/23 RH		Rev 7	526373	04/17/25 KF	
Rev 1	458816	01/08/24 Z-RU		Rev 8	533744	05/29/25 CA	
Rev 2	514446	03/03/25 KF	Revised per notes	Rev 9	538207	06/24/25 CA	
Rev 3	520619	03/19/25 RH					
Rev 4	521863	03/21/25 RH					
Rev 5	522226	03/26/25 RH					
Rev 6	524301	04/07/25 KF					

PRINTS ARE THE EXCLUSIVE PROPERTY OF STRATUS. THIS MATERIAL SHALL NOT BE USED, DUPLICATED, OR OTHERWISE REPRODUCED WITHOUT THE PRIOR WRITTEN CONSENT OF STRATUS.

E02

FACE LIT CHANNEL LETTERS

Scale: 1"=1'-0"

TERMINAL RAMPSIDE HANGAR

SA-LI-FL-42B

EXISTING SIGN SF:	48.4
PROPOSED SIGN SF:	236.2

EXISTING CONDITIONS



EXISTING 6'-11-1/2" X 6'-11-1/2" NON-ILLUMINATED "S" CABINET TO BE REMOVED & REPLACED; WALL TO BE REPAIRED AS REQUIRED



Stratus®

onestratus.com

8959 Tyler Boulevard

Mentor, Ohio 44060

888.503.1569

CLIENT: SIGNATURE AVIATION

ADDRESS: 123 GRISSOM DR
LAFAYETTE, LA 70508

ORDER NUMBER: 1199095

SITE NUMBER: 190452

ELECTRONIC FILE NAME:
G:\ACCOUNTS\SIGNATURE FLIGHT SUPPORT_LOCATIONS_2025\LALFT_Lafayette Regional Airport\ LFT_Lafayette Regional Airport R9.odr

PROJECT NUMBER: 87724

PROJECT MANAGER: DUSTIN SAN MIGUEL

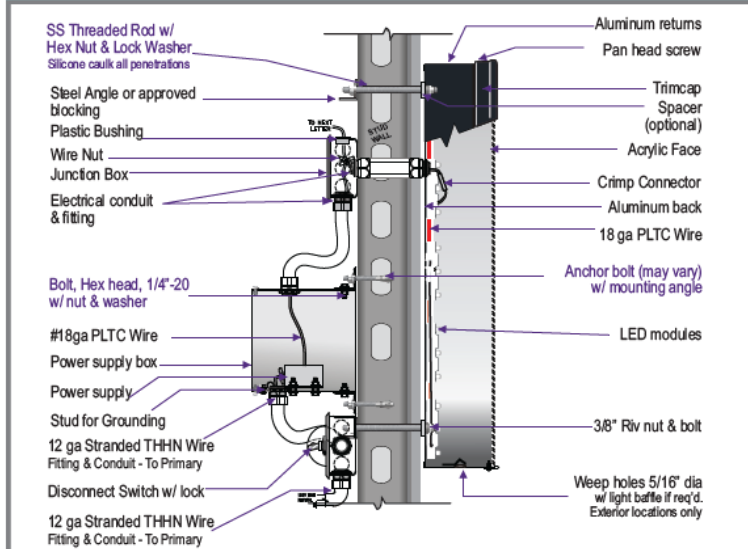
Rev #	Req #	Date/Artist	Description	Rev #	Req #	Date/Artist	Description
Original	451382	11/16/23 RH		Rev 7	526373	04/17/25 KF	
Rev 1	458816	01/08/24 Z-RU		Rev 8	533744	05/29/25 CA	
Rev 2	514449	03/03/25 KF	Revised per notes	Rev 9	538207	06/24/25 CA	
Rev 3	520619	03/19/25 RH	Inser cl set				
Rev 4	521863	03/21/25 RH					
Rev 5	522236	03/26/25 RH					
Rev 6	524301	04/07/25 KF					

PRINTS ARE THE EXCLUSIVE PROPERTY OF STRATUS. THIS MATERIAL SHALL NOT BE USED, DUPLICATED, OR OTHERWISE REPRODUCED WITHOUT THE PRIOR WRITTEN CONSENT OF STRATUS.



- FACES:** .187" #2447 white acrylic w/ surface applied Dual color film printed Runway
Faces will illuminate White at night
- TRIMCAP:** **LETTERS:** 1" jewelite painted Runway;
LOGO: 1-1/2" Metal retainers painted Runway
- RETURNS:** 3" deep .063 alum. painted Runway, interior painted white
- BACKS:** .063" alum. - insides pre-finished White
- ILLUM.:** White LED's as required by manufacturer;
REMOTE POWER SUPPLIES
- WALL MATL.:** Corrugated Metal
- INSTALL:** Thru bolted flush using all thread into blocking as required
12" standard length of threaded rod will be supplied unless otherwise noted
3/8" threaded rod into blocking or Stratus approved equivalent;
Spacers provided to accommodate corrugated wall surface
- QUANTITY:** (1) ONE Required

FACE LIT LED | REMOTE, FLUSH | GENERIC INSTALL



***MOUNTING METHOD:**
(Use appropriate method following wall inspection)
Thru bolt - all thread fasteners w/ wood blocking or angle iron stringer
Toggle bolts w/ hollow core- plywood backing
Kwik Bolts or Expansion lag bolts & shields w/ solid concrete

SEE TO BE E.L. LISTED AND SHALL MEET N.E.C. STANDARDS

Stratus
Lighting Inc.
ELECTRIC SIGN

ALL ELECTRICAL COMPONENTS TO BE E.L. LISTED, APPROVED AND MARKED PER N.E.C. 2014. ALL TO BE ELECTRICALLY GROUNDING PER N.E.C. 2014. ALL POWER SUPPLIES TO BE E.L. LISTED PER N.E.C. 2014. ALL WIRING AND WIRING PER N.E.C. 2014. ALL WIRING TO MEET N.E.C. AND U.L. 48 STANDARDS FOR ELECTRICAL WIRING, GROUNDING & BONDING. AD PER N.E.C. 2014 & NEC 900-7



Stratus[®]

onestratus.com
8959 Tyler Boulevard
Mentor, Ohio 44060
888.503.1569

CLIENT: SIGNATURE AVIATION

ADDRESS: 123 GRISSOM DR
LAFAYETTE, LA 70508

PAGE NO.:

ORDER NUMBER: 1199095

PROJECT NUMBER: 87724

SITE NUMBER: 190452

PROJECT MANAGER: DUSTIN SAN MIGUEL

ELECTRONIC FILE NAME: LFT_Lafayette Regional Airport R9.cdr

Rev #	Req #	Date/Artist	Description
Original	451382	11/16/23 RH	
Rev 1	458816	01/08/24 Z-RU	
Rev 2	514449	03/03/25 KF	
Rev 3	520619	03/19/25 RH	Inner cl set
Rev 4	521863	03/21/25 RH	
Rev 5	522236	03/26/25 RH	
Rev 6	524301	04/07/25 KF	

Rev #	Req #	Date/Artist	Description
Rev 7	526373	04/17/25 KF	
Rev 8	533744	05/29/25 CA	
Rev 9	538207	06/24/25 CA	

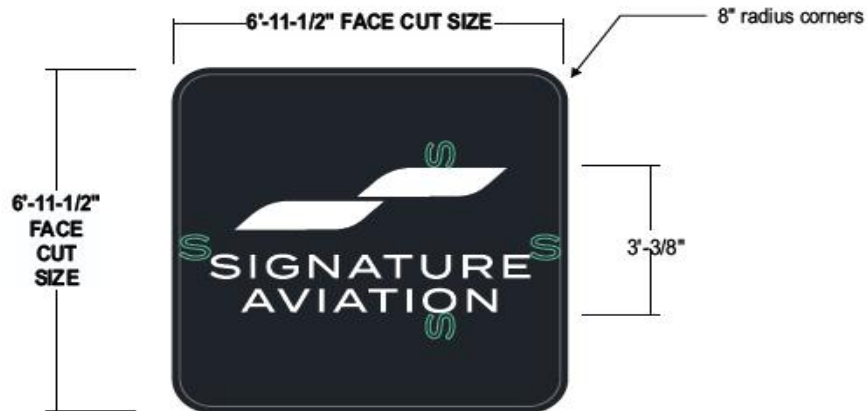
E06

REPLACEMENT FACE

Scale: 3/8"=1'-0"

RF83.fpl.

48.4 square feet



EXISTING HANGAR 11 - SIDE 1



EXISTING FACE TO BE REMOVED & REPLACED



PROPOSED SIGNAGE

Scaled proportionally

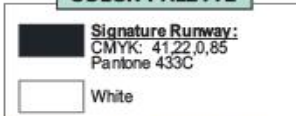
CABINET: Existing 4-1/2" deep non-illuminated cabinet w/ 1-5/8" retainers and 8" radius corners to remain; Cabinet & retainers painted to match Runway

FACES: .177 Flat white polycarbonate

GRAPHICS: Digitally printed graphics to match Runway; Reverse weeded to show thru white

QUANTITY: (1) ONE REQUIRED

COLOR PALETTE



Paint finish to be satin unless otherwise specified



Stratus®

onestratus.com

8959 Tyler Boulevard
Mentor, Ohio 44060
888.503.1569

CLIENT: **SIGNATURE AVIATION**

ADDRESS: 123 GRISSOM DR
LAFAYETTE, LA 70508

ORDER NUMBER: 1199095

SITE NUMBER: 190452

ELECTRONIC FILE NAME: G:\ACCOUNTS\SIGNATURE FLIGHT SUPPORT_LOCATIONS_2009\LALFT_Lafayette Regional Airport\LFT_Lafayette Regional Airport R9.cdr

PROJECT NUMBER: 87724

PROJECT MANAGER: DUSTIN SAN MIGUEL

Rev #	Req #	Date/Artist	Description	Rev #	Req #	Date/Artist	Description
Original	451382	11/16/23 RH		Rev 7	526373	04/17/25 KF	
Rev 1	458816	01/08/24 Z-RJ		Rev 8	533744	05/29/25 CA	Revised top face replacement
Rev 2	514449	03/03/25 KF	Revised per notes	Rev 9	538207	06/24/25 CA	
Rev 3	520619	03/19/25 RH	Linear layout CL				
Rev 4	521863	03/21/25 RH					
Rev 5	522236	03/26/25 RH	Scope Revised				
Rev 6	524301	04/07/25 KF					

PRINTS ARE THE EXCLUSIVE PROPERTY OF STRATUS. THIS MATERIAL SHALL NOT BE USED, DUPLICATED, OR OTHERWISE REPRODUCED WITHOUT THE PRIOR WRITTEN CONSENT OF STRATUS.

E07

HANGAR 11 - SIDE 2

Scale: 3/32"=1'-0"

SA-LI-FL-36B

EXISTING SIGN SF:	48.4
PROPOSED SIGN SF:	173.5

EXISTING CONDITIONS



EXISTING 6'-11-1/2" X 6'-11-1/2" NON-ILLUMINATED "S" CABINET TO BE REFACED



Stratus[®]

onestratus.com
 8959 Tyler Boulevard
 Mentor, Ohio 44060
 888.503.1569

CLIENT:
 SIGNATURE AVIATION

ADDRESS: 123 GRISSOM DR
 LAFAYETTE, LA 70508

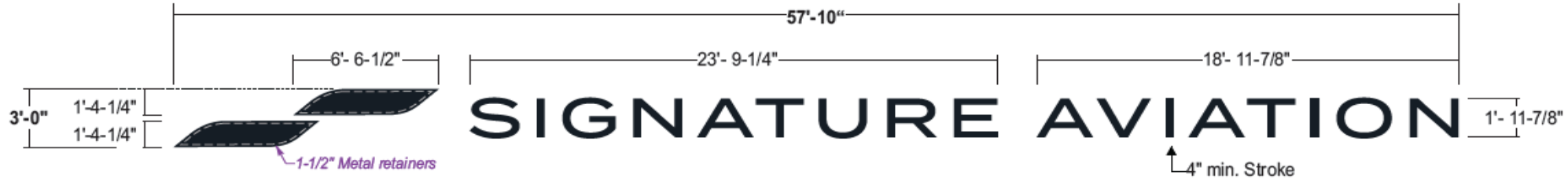
ORDER NUMBER: 1199095
 PROJECT NUMBER: 87724
 SITE NUMBER: 190452

PROJECT MANAGER:
 DUSTIN SAN MIGUEL

ELECTRONIC FILE NAME:
 G:\ACCOUNTS\SIGNATURE FLIGHT SUPPORT\LOCATIONS_2025\LALFT_Lafayette Regional Airport\ LFT_Lafayette Regional Airport R9.cdr

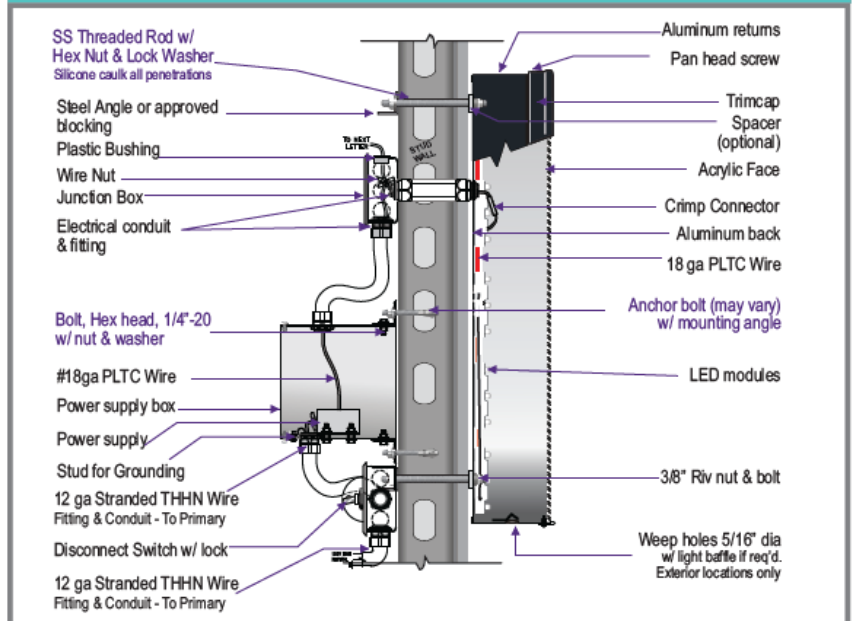
Rev #	Req #	Date/Artist	Description	Rev #	Req #	Date/Artist	Description
Original	451382	11/16/23 RH		Rev 7	526373	04/17/25 KF	
Rev 1	458816	01/08/24 Z-RU		Rev 8	533744	05/29/25 CA	Revised to SA-LI-FL-42B
Rev 2	514449	03/03/25 KF	Revised per notes	Rev 9	538207	06/24/25 CA	Revised to SA-LI-FL-36B
Rev 3	520619	03/19/25 RH					
Rev 4	521863	03/21/25 RH					
Rev 5	522236	03/26/25 RH					
Rev 6	524301	04/07/25 KF					

PRINTS ARE THE EXCLUSIVE PROPERTY OF STRATUS. THIS MATERIAL SHALL NOT BE USED, DUPLICATED, OR OTHERWISE REPRODUCED WITHOUT THE PRIOR WRITTEN CONSENT OF STRATUS.



- FACES:** .187" #2447 white acrylic w/ surface applied Dual color film printed Runway
Faces will illuminate White at night
- TRIMCAP:** **LETTERS:** 1" jewelite painted Runway;
LOGO: 1-1/2" Metal retainers painted Runway
- RETURNS:** 3" deep .063 alum. painted Runway, interior painted white
- BACKS:** .063" alum. - insides pre-finished White
- ILLUM.:** White LED's as required by manufacturer;
REMOTE POWER SUPPLIES
- WALL MATL.:** Corrugated metal
- INSTALL:** Thru bolted flush using all thread into blocking as required
12" standard length of threaded rod will be supplied unless otherwise noted
3/8" threaded rod into blocking or Stratus approved equivalent
Spacers provided to accommodate corrugated wall surface
- QUANTITY:** (1) ONE REQUIRED

FACE LIT LED | REMOTE, FLUSH | GENERIC INSTALL



***MOUNTING METHOD:**
(Use appropriate method following wall inspection)
Thru bolt - all thread fasteners w/ wood blocking or angle iron stringer
Toggle bolts w/ hollow core-plywood backing
Kwik Bolts or Expansion lag bolts & shields w/ solid concrete

USE TO BE U.S. LISTED AND SHALL MEET A.E.C. STANDARDS
Laboratories Inc.
ELECTRIC SIGN

ALL ELECTRICAL COMPONENTS TO BE U.S. LISTED, APPROVED AND MARKED PER N.E.C. 900-4. ALL TO BE ELECTRICALLY GROUNDED PER N.E.C. 250. ALL POWER SUPPLIES TO BE FUSED PER U.L. 48, 250.1. GROUNDING AND BONDING PER N.E.C. 250-91, 252-94, 254. SIGNS TO MEET N.E.C. AND U.L. 48 STANDARDS FOR ELECTRICAL SIGNS (GROUNDING & BONDING) AS PER N.E.C. 250-91 & NEC-900-7



Stratus
onestratus.com
8959 Tyler Boulevard
Mentor, Ohio 44060
888.503.1569

CLIENT: SIGNATURE AVIATION
ADDRESS: 123 GRISSOM DR LAFAYETTE, LA 70508
PAGE NO.:

ORDER NUMBER: 1199095
PROJECT NUMBER: 87724
SITE NUMBER: 190452
PROJECT MANAGER: DUSTIN SAN MIGUEL
ELECTRONIC FILE NAME: LFT_Lafayette Regional Airport R9.cdr

Rev #	Req #	Date/Artist	Description	Rev #	Req #	Date/Artist	Description
Original	451382	11/16/23 RH		Rev 7	526373	04/17/25 KF	
Rev 1	458816	01/08/24 Z-RU		Rev 8	533744	05/29/25 CA	Revised to SA-LI-FL-42B
Rev 2	514449	03/03/25 KF	Revised per notes	Rev 9	538207	06/24/25 CA	Revised to SA-LI-FL-36B
Rev 3	520619	03/19/25 RH					
Rev 4	521863	03/21/25 RH					
Rev 5	522236	03/26/25 RH					
Rev 6	524301	04/07/25 KF					