

Stratus™

stratusunlimited.com

888.503.1569

LOCATION NUMBER:

7992

SITE ADDRESS:

1200 BUSINESS HIGHWAY 190 STE 41
COVINGTON, LA 70433-5151

[View in Google Maps](#)



Quest
Diagnostics

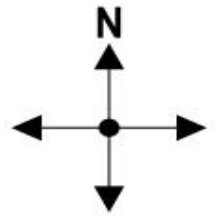
Infinite possibilities, ideal solutions.

SITE PLAN

E01

E02

E03



Stratus™

stratusunlimited.com

8959 Tyler Boulevard
Mentor, Ohio 44060

888.503.1569

CLIENT:



ORDER NUMBER:

1198839

PROJECT NUMBER:

4232

SITE NUMBER:

7992

PROJECT MANAGER:

NANETTE HUBERT

ADDRESS:

1200 BUSINESS HIGHWAY 190 STE 41
COVINGTON, LA 70433-5151

PAGE NO.:

1

FILE PATH:

K:\ACCOUNTS\QI\Quest Diagnostics\LOCATIONS\2023\LA\7992_Covington R1

Rev #	Req #	Date/Artist	Description	Rev #	Req #	Date/Artist	Description
Original	441839	08/17/23 Z-RU					
Rev 1	444161	08/29/23 Z-SH					

PRINTS ARE THE EXCLUSIVE PROPERTY OF STRATUS. THIS MATERIAL SHALL NOT BE USED, DUPLICATED, OR OTHERWISE REPRODUCED WITHOUT THE PRIOR WRITTEN CONSENT OF STRATUS.

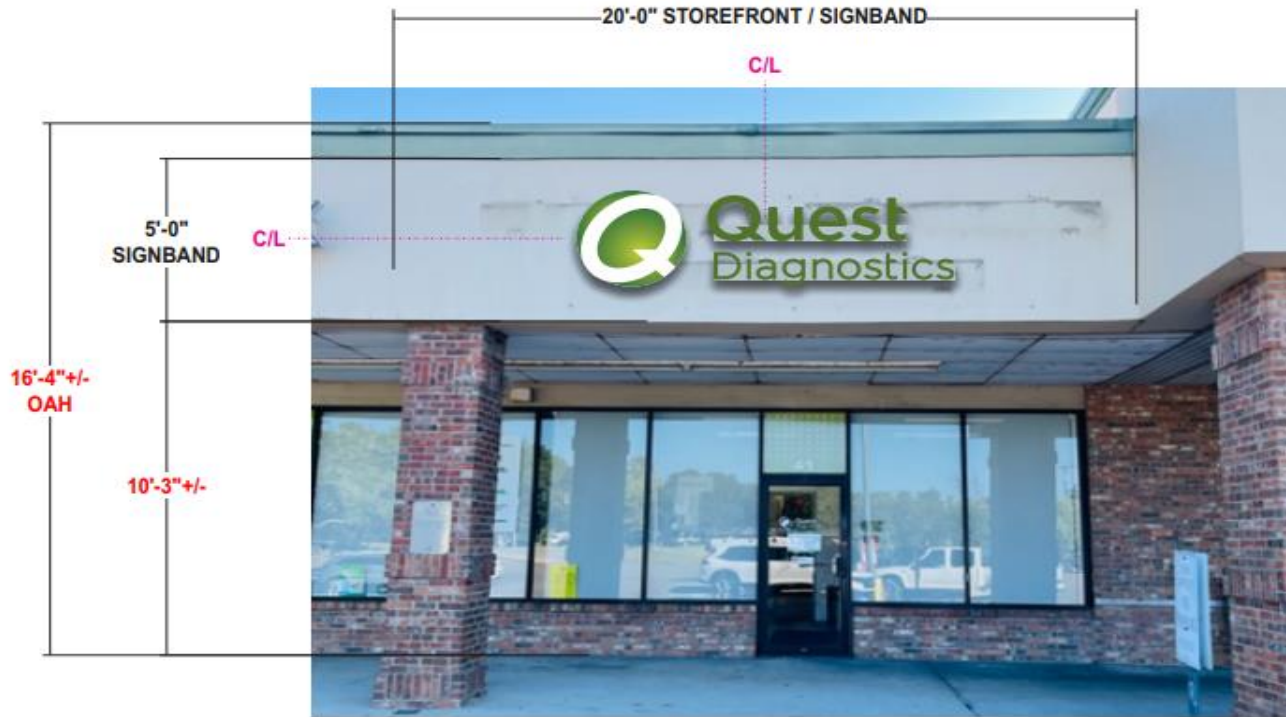
E01

STOREFRONT ELEVATION

Scale: 1/4"=1'-0"

IL-17-S-G-R

EXISTING CONDITIONS:



Stratus™

stratusunlimited.com

8959 Tyler Boulevard
Mentor, Ohio 44060

888.503.1569

CLIENT:  Quest Diagnostics

ADDRESS: 1200 BUSINESS HIGHWAY 190 STE 41
COVINGTON, LA 70433-5151

PAGE NO: 2

ORDER NUMBER: 1198839

SITE NUMBER: 7992

FILE PATH: K:\ACCOUNTS\QI\Quest Diagnostics\LOCATIONS\2023\LA\7992_Covington R1

PROJECT NUMBER: 4232

PROJECT MANAGER: NANETTE HUBERT

Rev #	Req #	Date/Artist	Description	Rev #	Req #	Date/Artist	Description
Original	441839	08/17/23 Z-RU					
Rev 1	444161	08/29/23 Z-SH					

PRINTS ARE THE EXCLUSIVE PROPERTY OF STRATUS. THIS MATERIAL SHALL NOT BE USED, DUPLICATED, OR OTHERWISE REPRODUCED WITHOUT THE PRIOR WRITTEN CONSENT OF STRATUS.

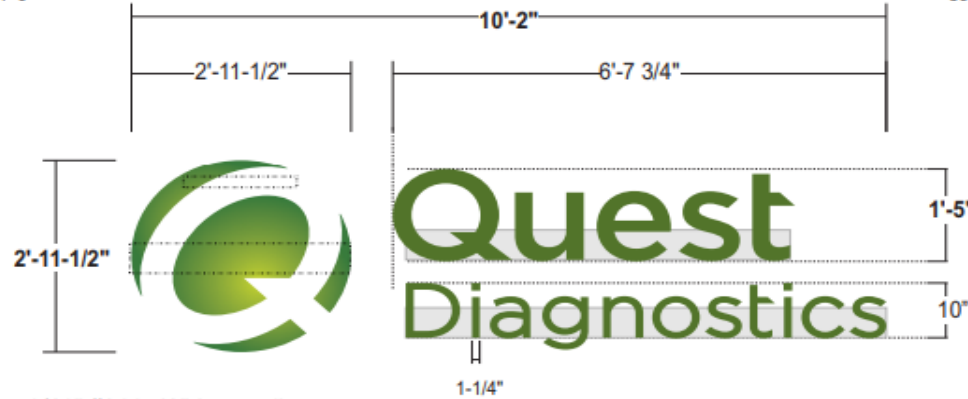
E01

ILLUM. STACKED GREEN CHANNEL LETTERS - RACEWAY MOUNTED

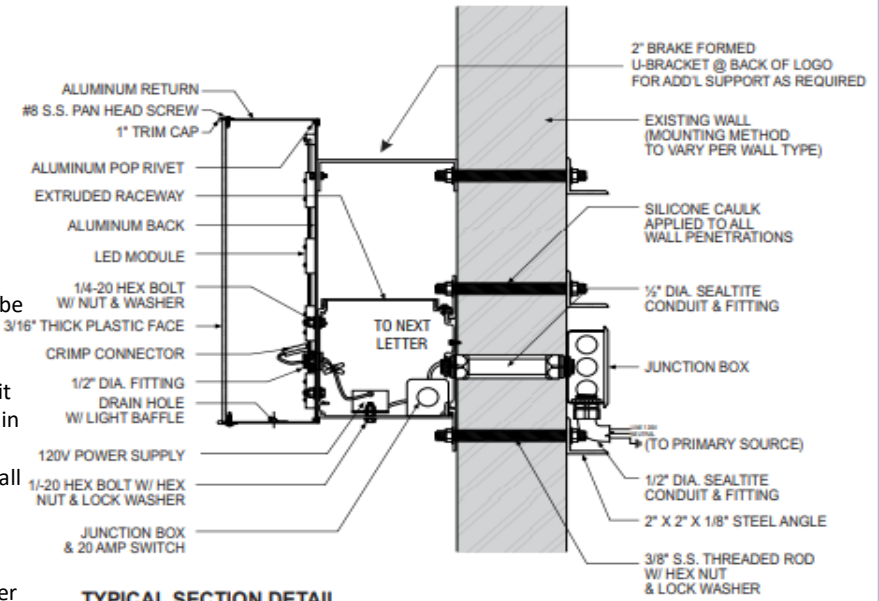
IL-17-S-G-R

Scale: 1/2"=1'-0"

30.1 square feet



Electrical Notes: All electrical components to be UL approved Customer is responsible for one (1) 120v/20a dedicated circuit with ground per sign within 6' of sign Lock out switch installed at panel box for all electrical signs Install in accordance with N.E.C. article 600 and/or local codes. This includes proper grounding and bonding of signs



TYPICAL SECTION DETAIL

SCALE: N.T.S.

- FACES:** 3/16" #2447 White acrylic:
Letters to have surface applied green vinyl
Logo to have surface applied digital print
- TRIMCAP:** 1" green trimcap
- RETURNS:** 5" deep .040 aluminum coil; pre-coat factory finished to match brushed aluminum
- BACKS:** .063 alum. backs - insides painted White
- ILLUM.:** White Bitro Bantam LED's as required by manufacturer;
Power supplies housed within raceway
- RACEWAY:** 5.5" x 5.375 Extruded alum. raceway or equiv. painted to match sign band;
Additional bracing as required behind logo
- WALL MATERIAL:** Signband wall material is EFIS Over PLYWOOD, METAL STUDS
- INSTALL:** Backer framing thru bolted using all thread into blocking as required
12" standard length of threaded rod will be supplied unless otherwise noted
3/8" threaded rod into blocking or Stratus approved equivalent
Compression sleeves required to avoid crushing wall & achieve max tensioning
- QUANTITY:** (1) ONE SET REQUIRED FOR STOREFRONT ELEVATION
- NOTE:** ELECTRICAL REQUIREMENTS AND ATTACHMENT METHODS

COLOR PALETTE

	Holiday Inn Green Pantone 390 C		Pantone 364 C 3M 5683 Green
	RACEWAY: SW 7713 Tawny Tan		Brushed Aluminum

ALL PAINT FINISHES TO BE SATIN UNLESS OTHERWISE NOTED

THIS SIGN IS INTENDED TO BE INSTALLED IN ACCORDANCE WITH THE REQUIREMENTS OF ARTICLE 600 OF THE NATIONAL ELECTRICAL CODE AND/OR OTHER APPLICABLE LOCAL CODES. THIS INCLUDES PROPER GROUNDING AND BONDING OF THE SIGN.

THE LOCATION OF THE DISCONNECT SWITCH AFTER INSTALLATION SHALL COMPLY WITH ARTICLE 600.6(A) (1) OF THE NATIONAL ELECTRIC CODE.



stratusunlimited.com
8959 Tyler Boulevard
Mentor, Ohio 44060
888.503.1569

CLIENT: 	ORDER NUMBER: 1198839	PROJECT NUMBER: 4232
ADDRESS: 1200 BUSINESS HIGHWAY 190 STE 41 COVINGTON, LA 70433-5151	SITE NUMBER: 7992	PROJECT MANAGER: NANETTE HUBERT
PAGE NO.: 3	FILE PATH: K:\ACCOUNTS\IQ\Quest Diagnostics_LOCATIONS\2023\LA\7992_Covington R1	

Rev #	Req #	Date/Artist	Description	Rev #	Req #	Date/Artist	Description
Original	441839	08/17/23 Z-RU					
Rev 1	444161	08/29/23 Z-SH					

PRINTS ARE THE EXCLUSIVE PROPERTY OF STRATUS. THIS MATERIAL SHALL NOT BE USED, DUPLICATED, OR OTHERWISE REPRODUCED WITHOUT THE PRIOR WRITTEN CONSENT OF STRATUS.

E03

FACE REPLACEMENTS

Scale: 1/2"=1'-0"

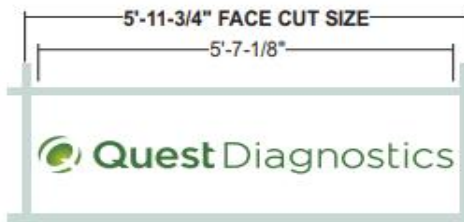
FACE REPLACEMENTS ONLY

12 square feet



VISIBLE OPENING: 1'-10-1/4" x 5'-9-1/4"

SIDE A



SIDE B



EXISTING CONDITIONS:



SIDE A



SIDE B

PROPOSED SIGNAGE



SIDE A



SIDE B

CABINET: Existing cabinet w/ 2" retainers & 1-1/2" divider bars to remain

FACES: .150 Flat white polycarbonate faces

GRAPHICS: Surface applied digitally printed vinyl graphics to match color shown

QUANTITY: (2) TWO FACES REQUIRED FOR EXISTING MULTI-TENANT SIGN

NOTE: NEW SIGN PLACEMENT PROPORTIONS ARE NOT THE SAME AS PREVIOUS LOCATION. SURVEY REQUIRED

COLOR PALETTE



Pantone 364 C



Stratus™

stratusunlimited.com

8959 Tyler Boulevard
Mentor, Ohio 44060

888.503.1569

CLIENT: Quest Diagnostics

ADDRESS: 1200 BUSINESS HIGHWAY 190 STE 41
COVINGTON, LA 70433-5151

PAGE NO: 4

ORDER NUMBER: 1198839

SITE NUMBER: 7992

FILE PATH: K:\ACCOUNTS\QI\Quest Diagnostics\LOCATIONS\2023\LA\7992_Covington R1

PROJECT NUMBER: 4232

PROJECT MANAGER: NANETTE HUBERT

Rev #	Req #	Date/Artist	Description	Rev #	Req #	Date/Artist	Description
Original	441839	08/17/23 Z-RU					
Rev 1	444161	08/29/23 Z-SH	Revised sign placement				

PRINTS ARE THE EXCLUSIVE PROPERTY OF STRATUS. THIS MATERIAL SHALL NOT BE USED, DUPLICATED, OR OTHERWISE REPRODUCED WITHOUT THE PRIOR WRITTEN CONSENT OF STRATUS.