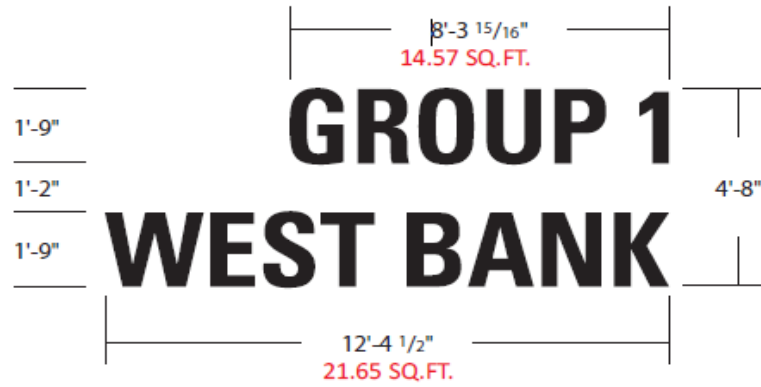


3800 Lapalco Blvd Harvey, LA 70058

- Proposed Building Sign Placement



PDNN-21 Stacked



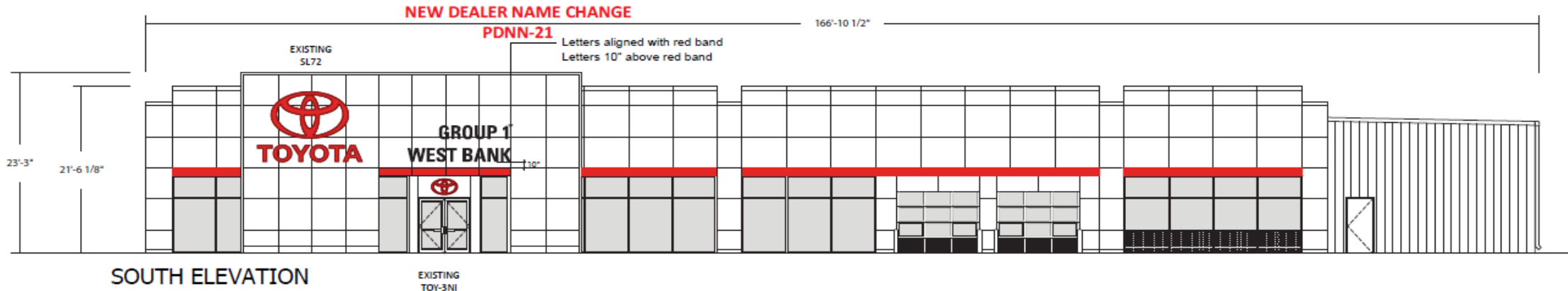
Specifications

PDNN-21 Non-illuminated Molded Letters
 Molded black acrylic letters - 1 1/2" Profile
 Stooled off glass portal 1/4"

Font: Univers 67 Condensed - Bold

Colors

■ Molded black acrylic letters



SOUTH ELEVATION

EXISTING TOY-3NI

NOTE: TECHNICAL SURVEY HAS NOT BEEN PERFORMED. DIMENSIONS MUST BE VERIFIED PRIOR TO PRODUCTION.

Project ID
LM2-66965

17062
 Bohn Toyota
 3800 Lapalco Blvd.
 Harvey, LA

Sign Item

PDNN-21

Date: 14-AUG-2025
 Scale: 1/4"=1'-0"
 Contact: L.Milligan
 Designer: C.Sabatino

Revision Note

R1: 08-15-2025
 Revised to PDNN-21
 Removed "TEXAS" from
 dealer name.

Information Required for Production

DocuSigned by:
 Customer Approval
 Peter A. Lebish
 Signature
 C5C883057180418...
 12/2/2025
 MM/DD/YYYY

All rights reserved. The artwork depicted herein are copyrighted and are the exclusive property of Pattison ID and as such cannot be reproduced and/or distributed, in whole or in part, without written permission of Pattison ID.

It is the Customer's responsibility to ensure that the sign installation location is suitable to accept and support the installation of the signs being ordered. Notify Pattison ID immediately if further details are required.



1.866.635.1110
 pattisonid.com

1-9 11/16"
1-9" (A)

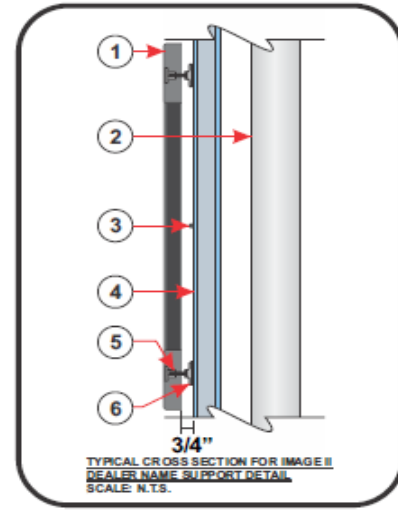
& 5 3/4" /

A B C D E F G H I
J K L M N O P Q
R S T U V W X Y Z

FRONT VIEW UPPER CASE

M C

FRONT VIEW LOWER CASE



TOY1CXEX011	
NON-ILLUMINATED LETTERS 21"	
Installation:	<input type="checkbox"/> Interior: <input checked="" type="checkbox"/> Exterior:
Electrical specifications:	
Volts:	<input type="checkbox"/> N/A Amp.: <input type="checkbox"/> N/A Circ.: <input type="checkbox"/> N/A
#	Descriptions:
1	MOLDED BLACK ACRYLIC LETTERS 1 1/4" PROFILE
2	STEEL STRUCTURE (BY OTHER)
3	TETHER WIRE WRAPPED AROUND TUBE & CRIMPED AT EVERY VERTICAL JOINT ACROSS HEADER (BY OTHER)
4	TRANSLUCENT GLASS (BY OTHER)
5	SIGN ATTACHMENT RECEPTACLE
6	CIRCULAR BASE PEDESTAL
#	Colors:
A	PRE COLORED BLACK

DAMMON
ENGINEERING, INC.
 LOUISIANA & MISSISSIPPI
 Slidell, Louisiana Ph: 985-649-5832 Fax: 985-641-5950 www.dammonengineering.com info@dammonengineering.com

#	Revision(s)	By:	Date:
1	ADDED INFO FOR LOWER CASE " C "	ACH	02.27.2013

Customer Approval: _____ Date: ____/____/____ By: _____ Date: ____/____/____

PRODUCTION INFORMATION : XX	Descriptions:	Plate #:	XX	XX
XX	XX	XX	XX	XX
	XX	XX	XX	XX

SP **UL**
 This sign intended to be installed in accordance with the requirements of Article 600 of the National Electrical Code and / or other applicable local codes. This includes proper grounding and bonding of the sign

⚡ Pattison Sign Group illuminated signs contain Fluorescent, Neon and/or HID Lamps. These lamps contain Mercury (Hg) Dispose of these lamps according to Local, Provincial, State, or Federal Laws

IT IS AGREED THAT THE CLIENT IS ENTIRELY RESPONSIBLE TO INSTALL THE CONCRETE BASE AS PER ENSEIGNES PATTISON SIGN GROUP'S TECHNICAL DRAWINGS OR THE EQUIVALENT. WHERE AN EXISTING BASE IS USED, THE CLIENT AGREES TO CHECK IF THE CONCRETE BASE CAN SUPPORT THE SIGN AS SUPPLIED BY ENSEIGNES PATTISON SIGN GROUP. ENSEIGNES PATTISON SIGN GROUP WILL NOT ACCEPT ANY LIABILITY.

ENSEIGNES PATTISON SIGN GROUP
 Tel (506) 735-5506 Fax (506) 737-1740 Toll Free 1-800-561-9798

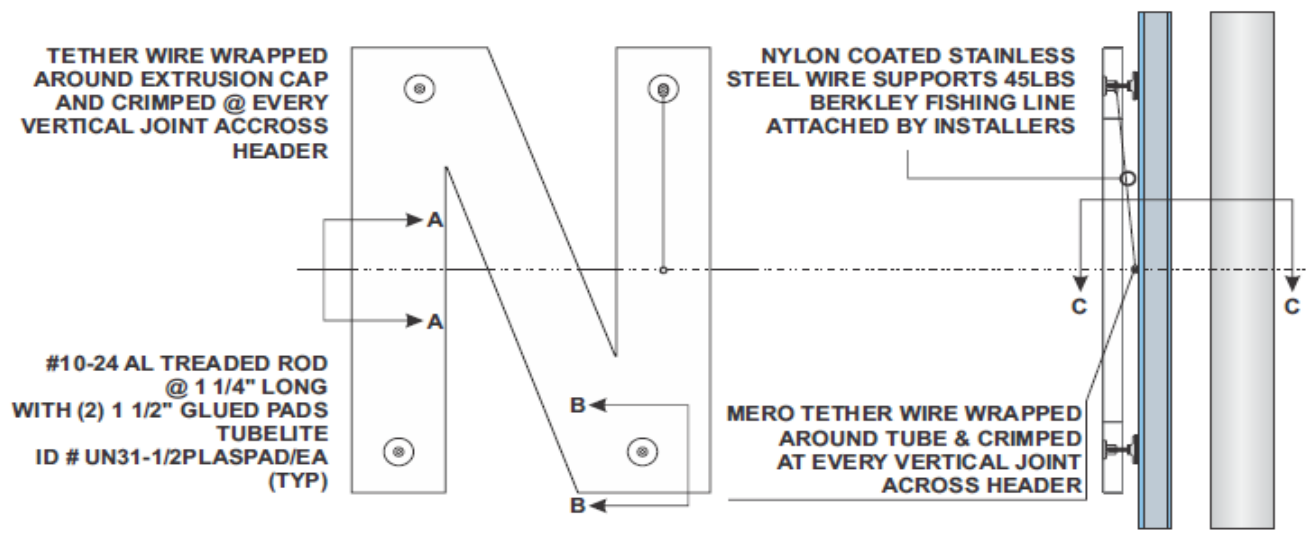
Client:	TOYOTA
Site:	VARIOUS
Draftsman:	ANDRE CHARETTE
Checked By:	XX
Page:	1/2
Scale:	3/8" = 1'-0"
Date:	07.28.2008

TOY1CXEX011

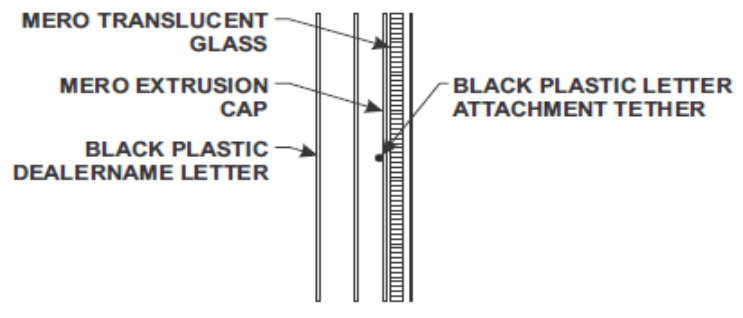
NON-ILLUMINATED LETTERS 21"

Installation: Interior: Exterior:
 Electrical specifications:
 Volts: N/A Amp.: N/A Circ.: N/A

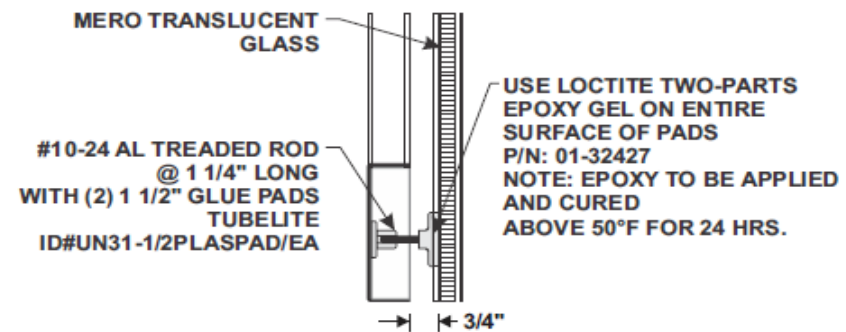
DAMMON
 ENGINEERING, INC.
LOUISIANA & MISSISSIPPI
 Slidell, Louisiana Ph: 985-649-5832 Fax: 985-641-5950 www.dammonengineering.com info@dammonengineering.com



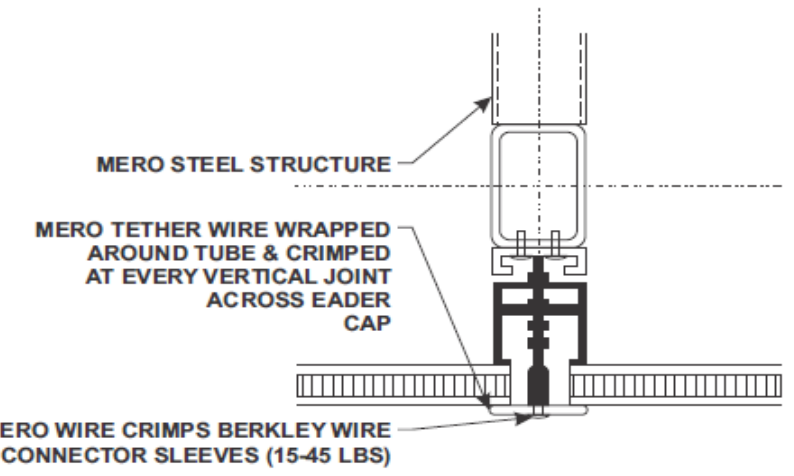
NON ILLUMINATED DEALERNAME LETTER INSTALLATION



SECTION A-A
N.T.S.



SECTION B-B
N.T.S.



SECTION C-C
N.T.S.

Customer Approval: _____ Date: ____/____/____ By: _____ Date: ____/____/____

PRODUCTION INFORMATION : XX	Descriptions:	Plate #:	XX	XX
XX	XX	XX	XX	XX
	XX	XX	XX	XX

This sign intended to be installed in accordance with the requirements of Article 600 of the National Electrical Code and / or other applicable local codes. This includes proper grounding and bonding of the sign

Pattison Sign Group illuminated signs contain Fluorescent, Neon and/or HID Lamps. These lamps contain Mercury (Hg) Dispose of these lamps according to Local, Provincial, State, or Federal Laws

IT IS AGREED THAT THE CLIENT IS ENTIRELY RESPONSIBLE TO INSTALL THE CONCRETE BASE AS PER ENSEIGNES PATTISON SIGN GROUP'S TECHNICAL DRAWINGS OR THE EQUIVALENT. WHERE AN EXISTING BASE IS USED, THE CLIENT AGREES TO CHECK IF THE CONCRETE BASE CAN SUPPORT THE SIGN AS SUPPLIED BY ENSEIGNES PATTISON SIGN GROUP. ENSEIGNES PATTISON SIGN GROUP WILL NOT ACCEPT ANY LIABILITY.

ENSEIGNES PATTISON SIGN GROUP
 Tel (506) 735-5506 Fax (506) 737-1740 Toll Free 1-800-561-9798

Client: **TOYOTA**
 Site: **VARIOUS**
 Draftsman: **ANDRE CHARETTE** Date: **07.28.2008**
 Checked By: **XX**
 Page: **2/2** Scale: **3/8" = 1'-0"**