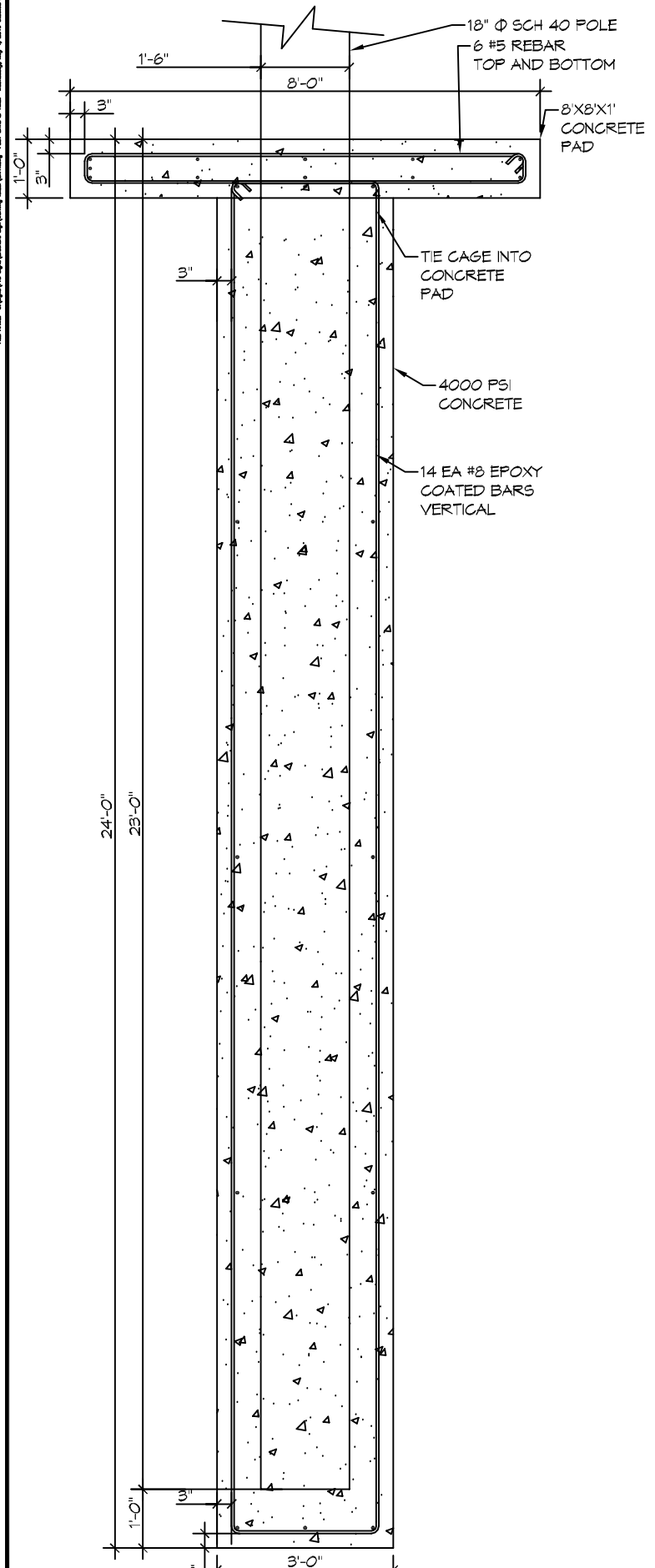
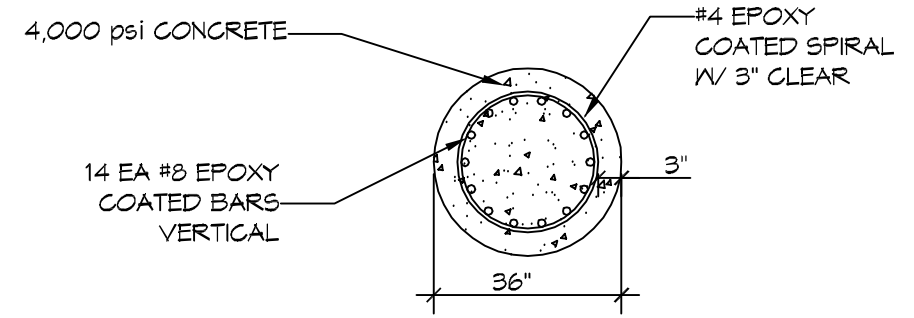


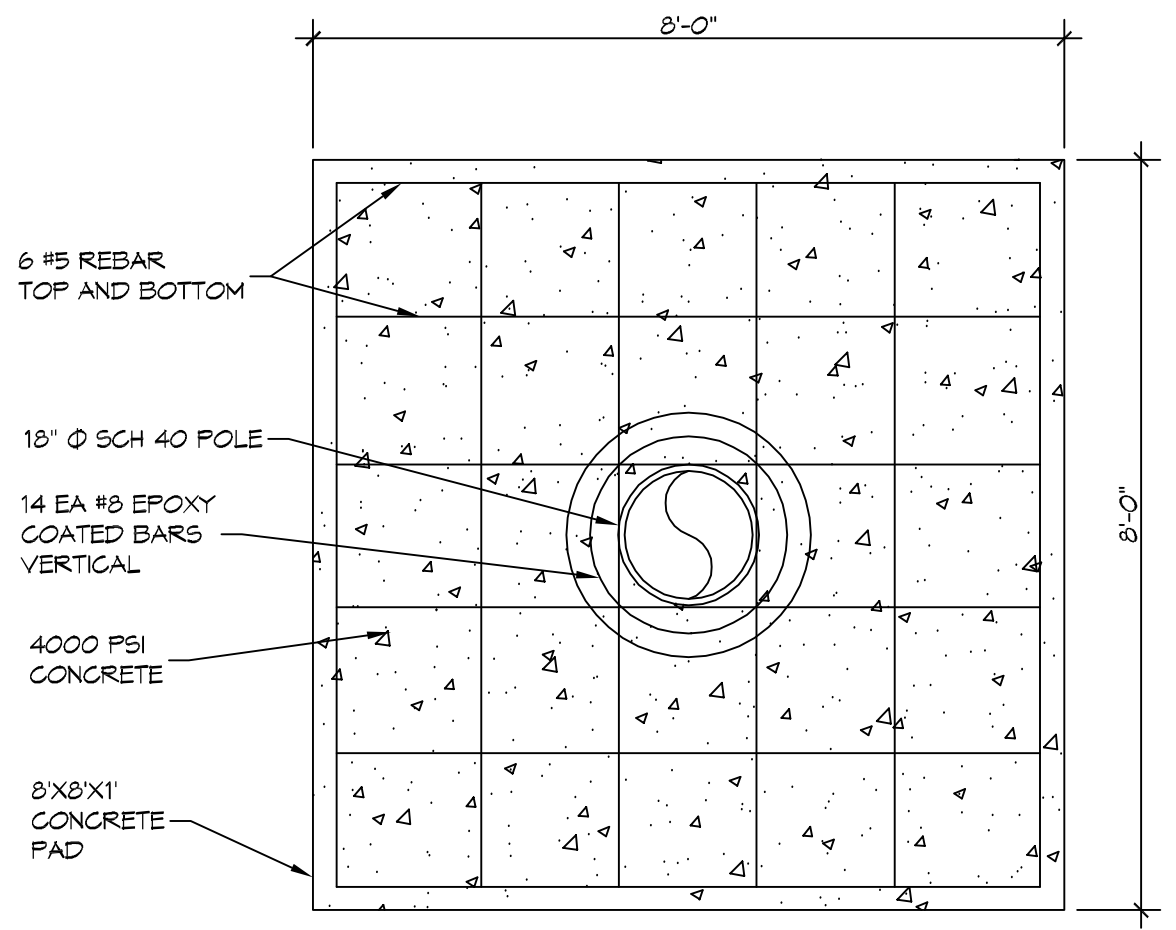
THE ABOVE INFORMATION IS THE PROPERTY OF DAMMON ENGINEERING, INC. IT IS TO BE USED ONLY FOR THE PROJECT AND SITE SPECIFICALLY IDENTIFIED HEREON. ANY REUSE OR MODIFICATION OF THIS INFORMATION WITHOUT THE WRITTEN CONSENT OF DAMMON ENGINEERING, INC. IS STRICTLY PROHIBITED.



**1 POLE PLAN**  
SCALE: 3/8" = 1'-0"



**2 CAGE**  
SCALE: N.T.S. SECTION



**3 FOUNDATION PLAN**  
SCALE: 1/2" = 1'-0" PLAN

## DRILLED PIER NOTES

1. ALL CONVENTIONAL REINFORCING STEEL SHALL MEET ASTM-A615 (GRADE 60)
2. DO NOT WELD ON THE SPIRAL REINFORCING STEEL. SECURELY CROSS-TIE THE VERTICAL AND SPIRAL REINFORCEMENT WITH DOUBLE WIRE. SUPPORT OR HOLD DOWN THE CAGE SO THAT THE VERTICAL DISPLACEMENT DURING CONCRETE PLACEMENT AND CASING EXTRACTION DOES NOT EXCEED 6 IN.
3. COMPLETELY ASSEMBLE A CAGE OF REINFORCING STEEL, CONSISTING OF LONGITUDINAL AND SPIRAL BARS THEN PLACE IT IN THE DRILLED PIER EXCAVATION AS A UNIT IMMEDIATELY AFTER THE PROPER CONDITION OF THE EXCAVATION HAS BEEN DEMONSTRATED. WHEN CONCRETE PLACEMENT DOES NOT FOLLOW IMMEDIATELY AFTER CAGE PLACEMENT, REMOVE THE STEEL FROM THE PIER EXCAVATION IF THE CAGE IS REMOVED, RECHECK PIER EXCAVATION CLEANLINESS IN ACCORDANCE WITH THIS PROVISION BEFORE REINSTALLING THE CAGE.

**DAMMON ENGINEERING, INC.**  
 LOUISIANA & MISSISSIPPI  
 Chief Engineer: Brian A. Misch, PE  
 554 Old Spanish Trail  
 Slidell, LA 70488  
 www.dammonengineering.com  
 info@dammonengineering.com  
 PH: 985.649.9822

#	DESCRIPTION	DATE



FOUNDATION FOR SIGN  
**BROTHERS SIGN**  
 THE BROTHERS SIGN COMPANY, L.P.  
 TERREBONNE, LA  
 JOB NO: 2018 DATE: 09-01-2018  
 DRAWN BY: CJD CHECKED BY: BAK

SHEET TITLE:  
 SIGN FOUNDATION

DRAWING NUMBER:  
**SK-1**  
 SHEET No: #1 of #1