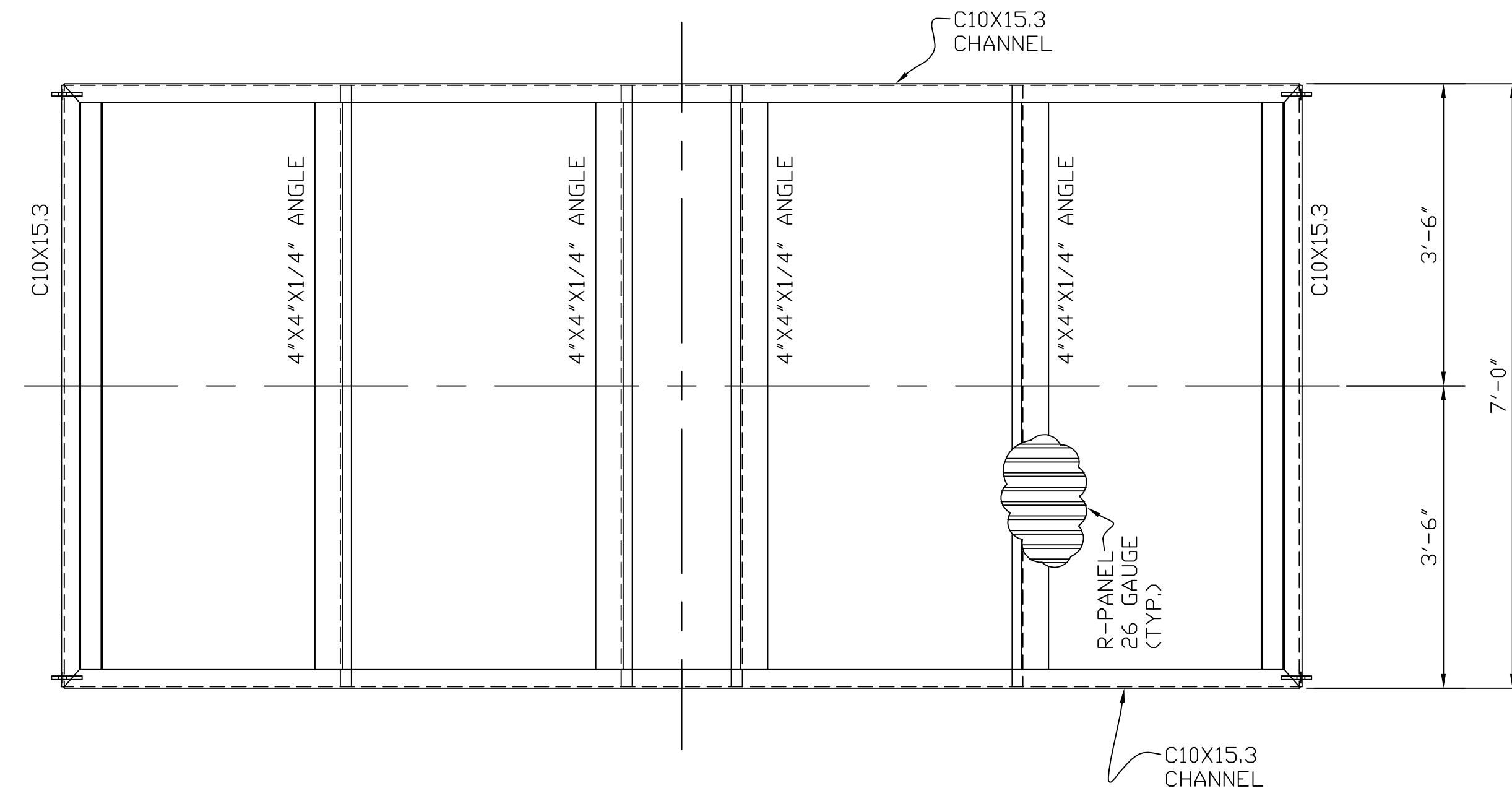
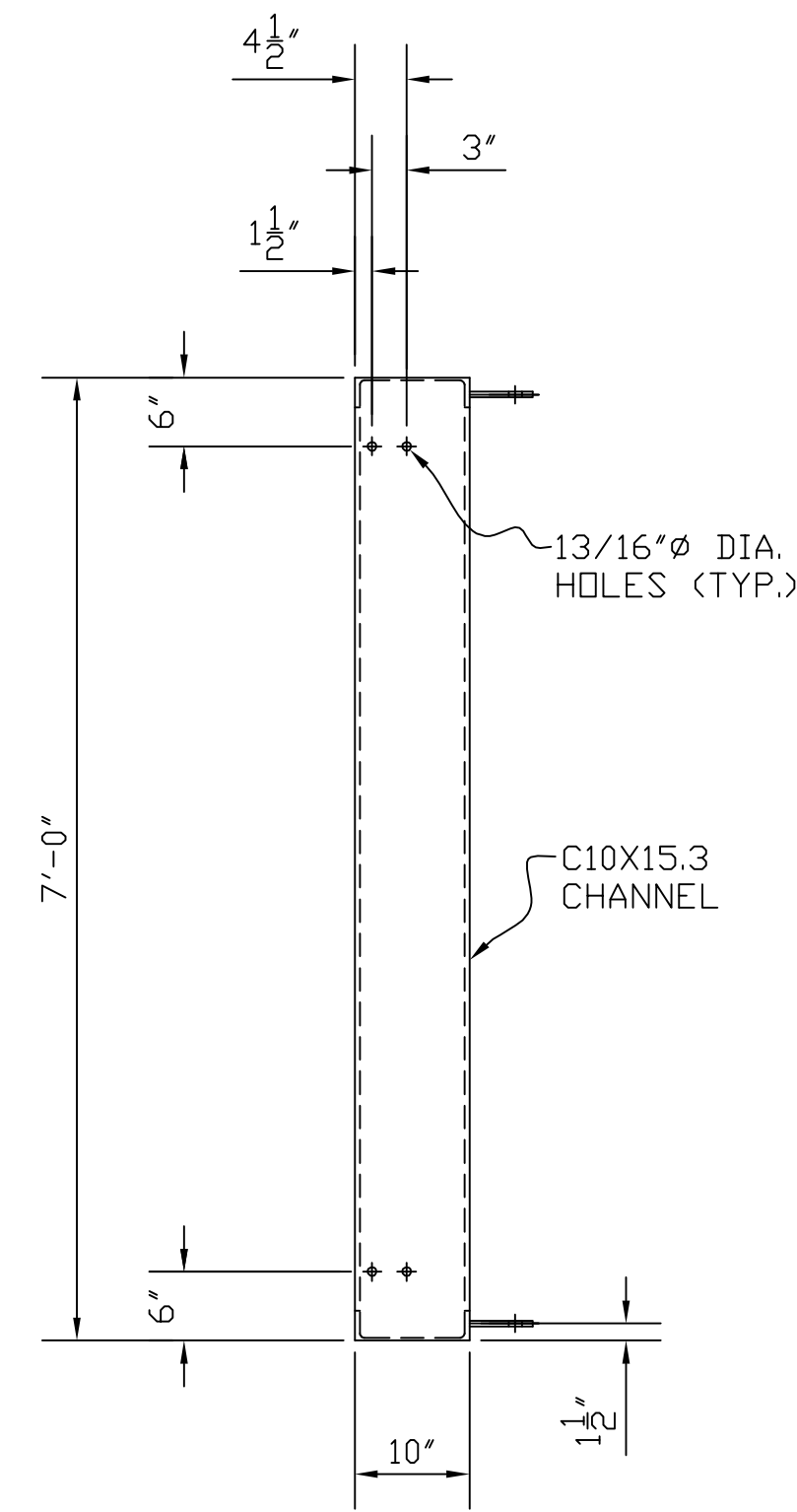
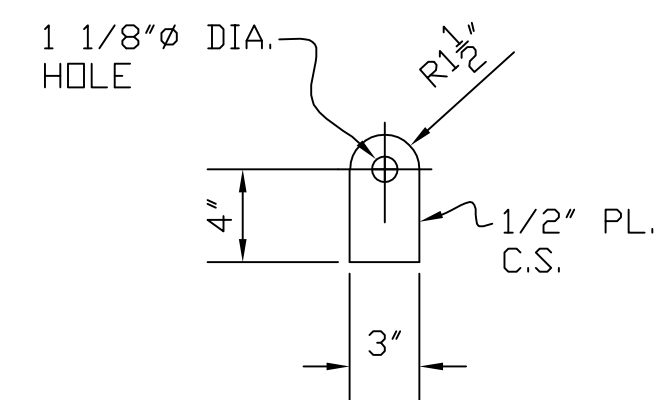


- NOTES:
- 1). ALL MATERIAL TO BE "HOT DIPPED GALVANIZED."
  - 2). VERIFY MANUFACTURER'S REQUIRED ROUGH OPENING.
  - 3). ALL ROOFING & WALLS WILL BE R-RANEL 26 GAUGE WITH TRIM COMPONENTS.
  - 4). NO GUTTERS REQUIRED.
  - 5). SEE DRAWING #PF-3555-1 FOR ELEVATION DETAILS.
  - 6). SEE DRAWING #PF-3555-3 FOR REMOVABLE HATCH (H1) DETAIL.
  - 7). DOORS & LOUVERS WILL BE PURCHASED SEPARATE.
  - 8). FIELD FIT ALL (3) DOORS.

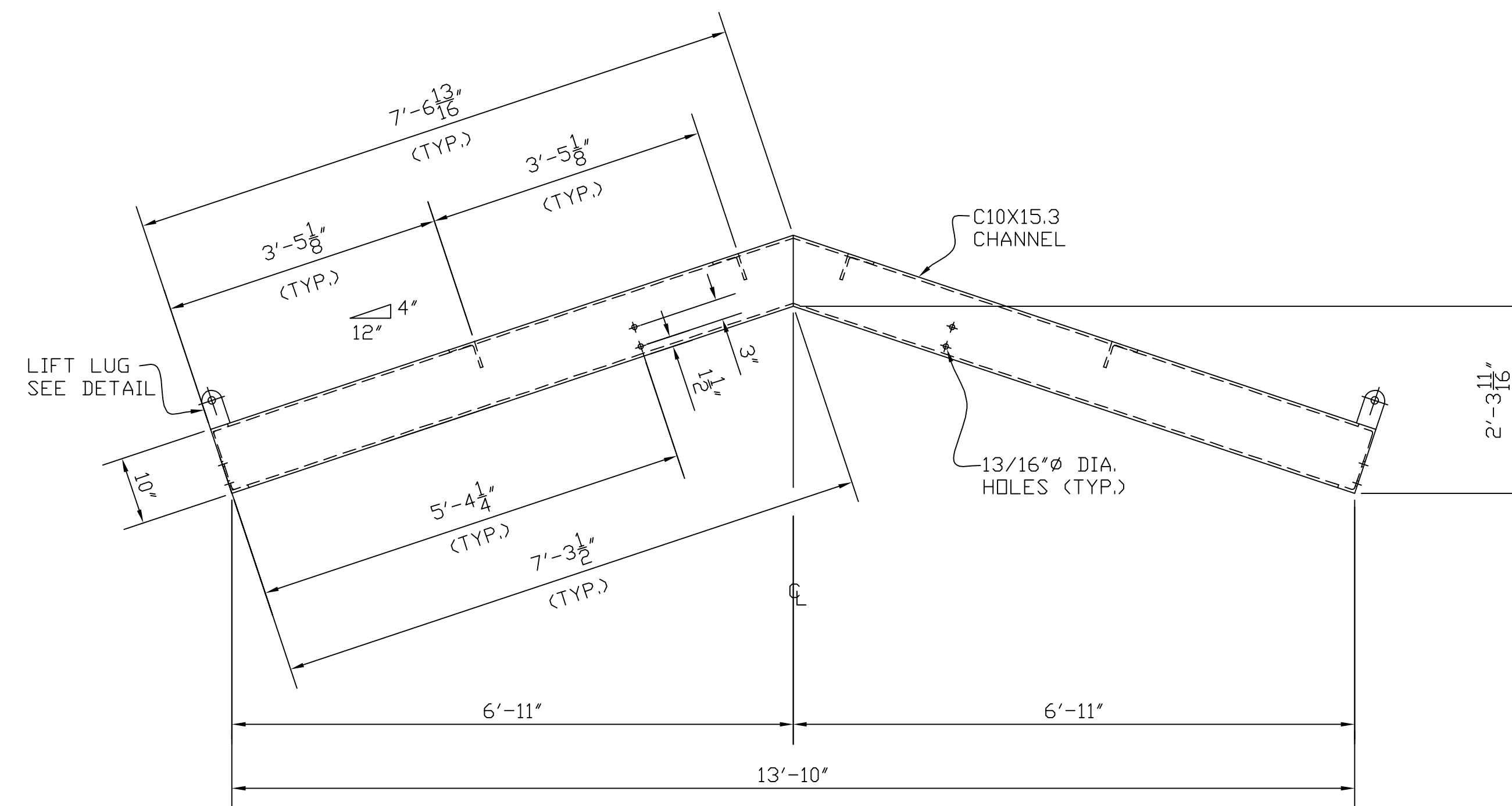


PLAN VIEW  
SCALE: 3/4"=1'-0"

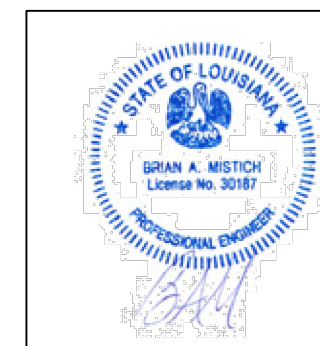
DESIGN LOADS PER ASCE 7, LATEST EDITION AS NOTED BELOW.  
 \* ROOF LIVE LOAD 20 PSF (MINIMUM)  
 \* WIND SPEED, V=158 MPH  
 \* RISK CATEGORY III  
 \* EXPOSURE C



LIFT LUG DETAIL  
SCALE: 1 1/2"=1'-0"



REMOVABLE HATCH #H2 DETAIL  
SCALE: 3/4"=1'-0"  
(1 REQ'D.)



PICOU-FRADELLA  
CONSTRUCTION, CO.

CHALMETTE, LA.



SCALE: NOTED	APPROVED BY:	DRAWN BY: P.M.B.
DATE: 6/24/25	JOB#: PF-3555	SHEET 4 OF 4
FIREWATER PUMP BUILDING		
CHEVRON	DWG#	PF-3555-4