

Ordering Information

Accessories/hardware:		
Soap dish	K-8880	recommended*
Rough-plated wash sink faucet	K-8892	recommended*
* Dimensions illustrated.		

Product Information

Fixture*:		basin area	water depth
Lavatory		813 x 356mm	178mm
Outlet	Ø54mm		
Faucet holes	Ø38mm		

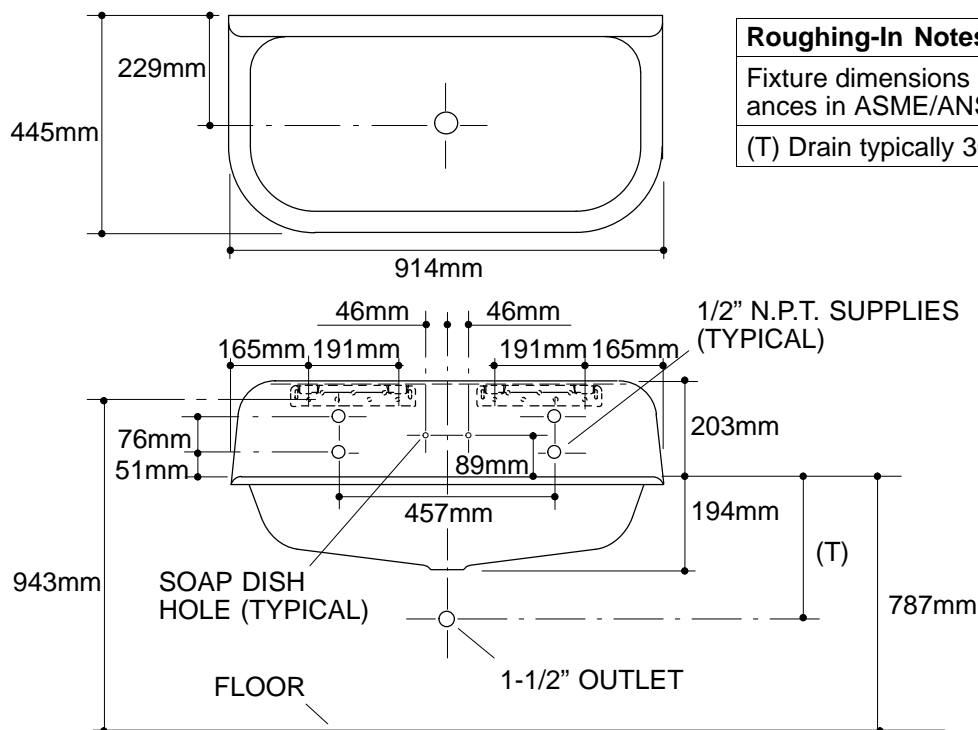
Number of faucets	2	
Soap dish holes	Ø8mm	
Number of soap dishes	1	

* Approximate measurements for comparison only.

Included Components:	
Hangers	64508

Installation Notes

Refer to installation instructions included with fixture before beginning installation.



Roughing-In Notes

Fixture dimensions are nominal and conform to tolerances in ASME/ANSI Standard A112.19.1M.

(T) Drain typically 302mm.

116