

Ordering Information

Accessories/hardware:		
Brackets	K-1808	optional
Trap	K-8998	recommended*
Drain	K-7715	recommended*
Gooseneck spout	K-13760	recommended*
Lavatory supply	K-13707	recommended*
Knee control fitting	K-13715	recommended*
* Dimensions illustrated.		

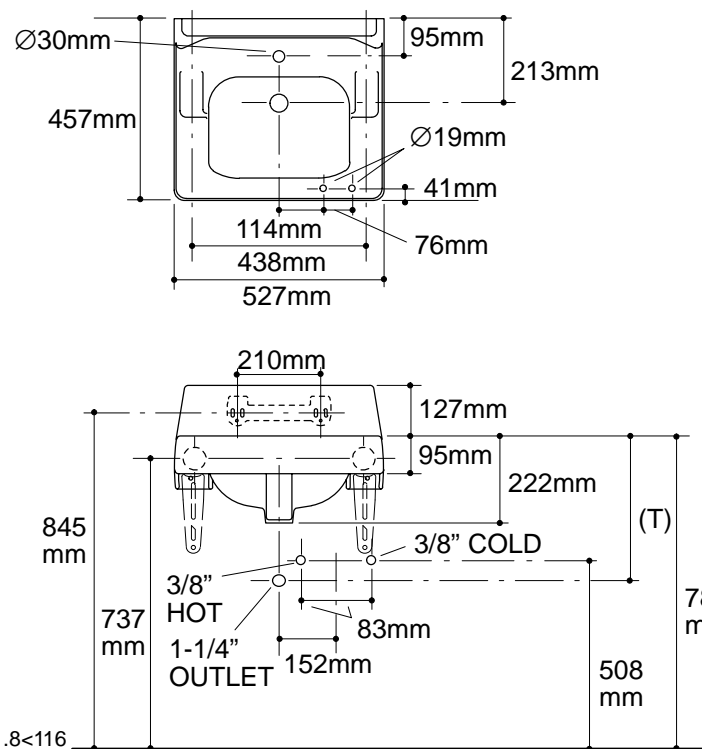
Product Information

Fixture*:		basin area	water depth
Lavatory		356 x 254mm	146mm
Outlet	Ø44mm		
Spout hole	Ø30mm		
Knee control fitting holes	Ø19mm		
* Approximate measurements for comparison only.			

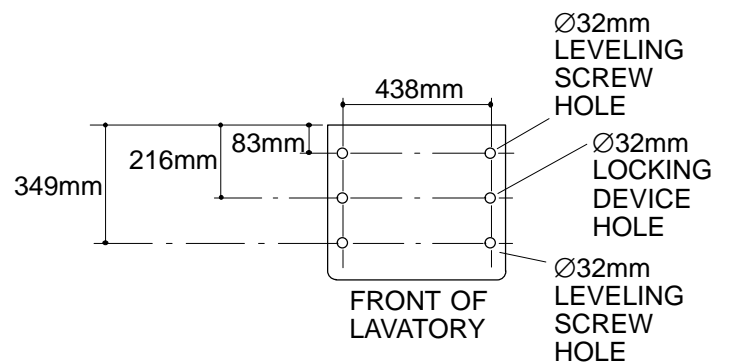
Included Components:	
Hanger (1)	64839

Installation Notes

Refer to installation instructions included with fixture before beginning installation.



CONCEALED ARM HOLE LOCATIONS



Roughing-In Notes

Fixture dimensions are nominal and conform to tolerances in ASME Standard A112.19.2M.

(T) Drain 337mm.

Supplied hanger or optional brackets not used with concealed arm carrier.