

KOHLER® SERVICE PARTS

LAVATORY FITTINGS

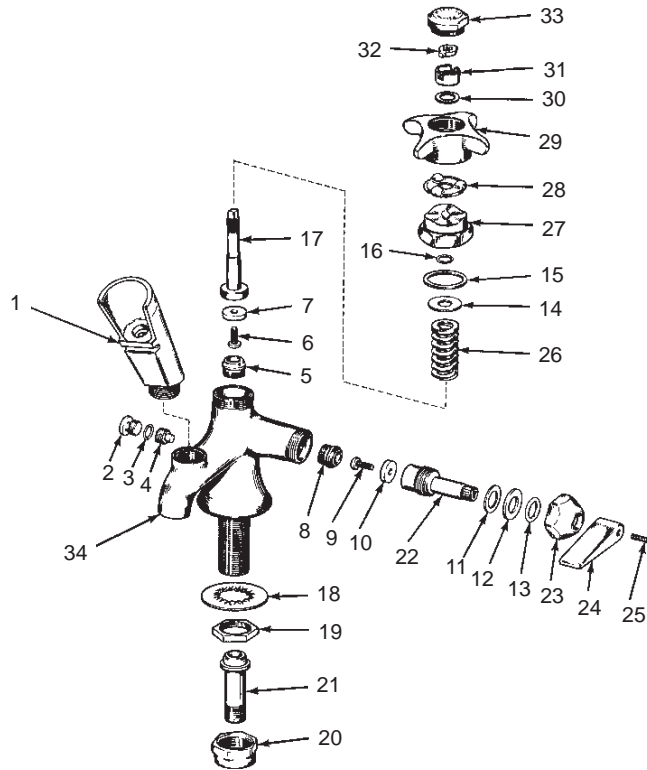
K-7520
K-8194

STATION LAVATORY FITTING
STATION LAVATORY FITTING

ORDER BY KIT NUMBER OR PART NUMBER, NOT ITEM NUMBER OR KIT LETTER.

Ordering Options

Item	Part No. or Kit
1	49414‡
2, 3, 4	B
5, 6, 7, 8, 9, 10,	A
11, 12, 13, 14,	A
15, 16	A
17	32573
18, 19, 20	C
21	32753
22	31872
23	32459‡
24	E
25	D
26	35563
27	34223‡
28	31537
29	33237‡
30, 31, 32	F
33	33236‡
34	*



Kit Ordering Information

Kit	Kit Part No.	Kit Name
A	30298	Valve Rebuilding
B	30297	Flow Control Screw
C	30228	Attachment S.A.
D	30105	Screw
E	30025‡	Lever Handle
F	30243	Washer/Nut

Kit Contents

1 ea., Items 5 thru 16
1 ea., Items 2, 3, and 4
2 ea., Items 18, 19, and 20
2 ea., Item 25
1 ea. Hot, 1 ea. Cold; Item 24
1 ea., Items 30, 31, and 32

KITS MAY INCLUDE EXTRA PARTS

NOTES:

* Not available as a service part.

LEGEND:

‡ Specify Finish.