

Ordering Information

Applicable product:		
Two-hole sink	K-5921-2	shown
Accessories/hardware:		
Bottom basin rack	K-6001	optional
Cutting board	K-6515	optional
Wire rinse basket	K-6522	optional

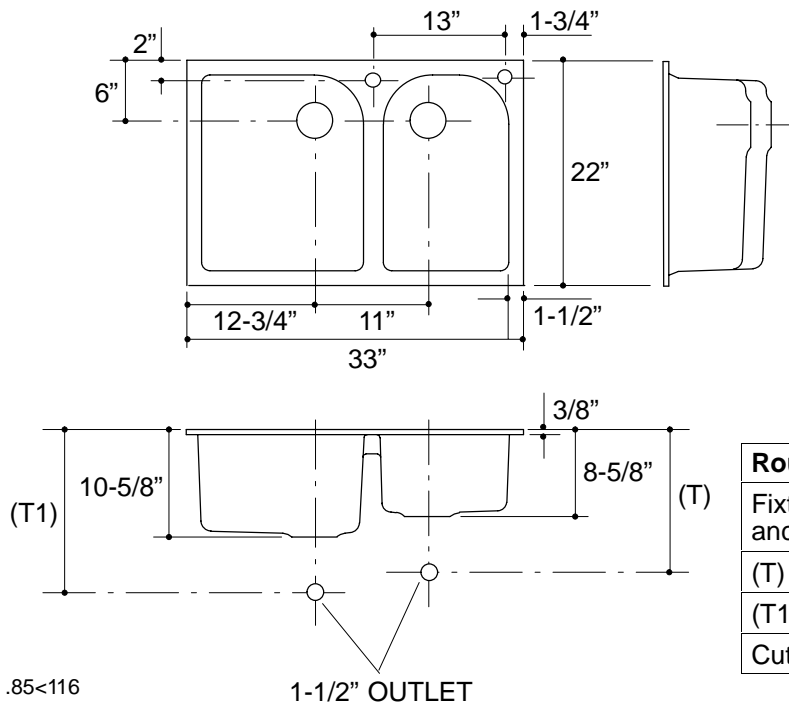
Product Information

Fixture*:		basin area	water depth
Sink, small		12" x 19"	7-3/4"
Sink, large		16" x 19"	9-3/4"
Outlet	3-5/8" D.		
Faucet holes	1-3/8" D.		

* Approximate measurements for comparison only.

Installation Notes

Refer to installation instructions included with fixture before beginning installation.



Roughing-In Notes

Fixture dimensions are nominal and conform to tolerances in ASME/ANSI Standard A112.19.1M.

(T) Drain typically 14".

(T1) Drain typically 16".

Cutout	31-3/4" x 20-3/4" with 1" radius corners.
--------	---