

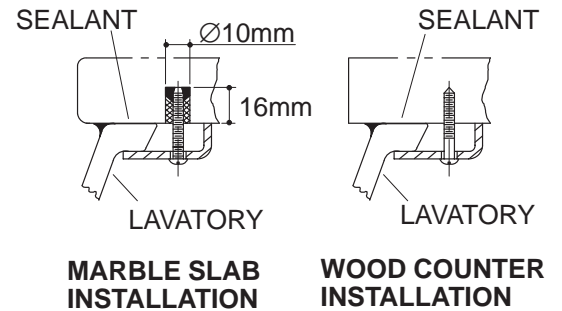
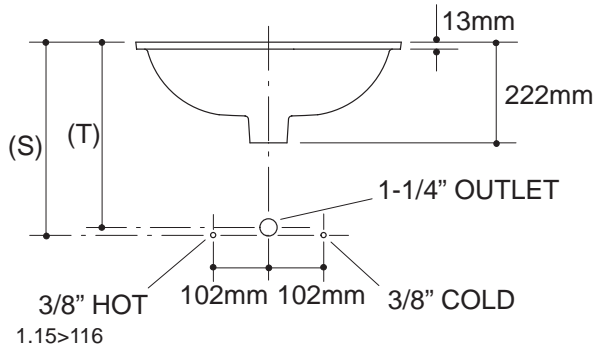
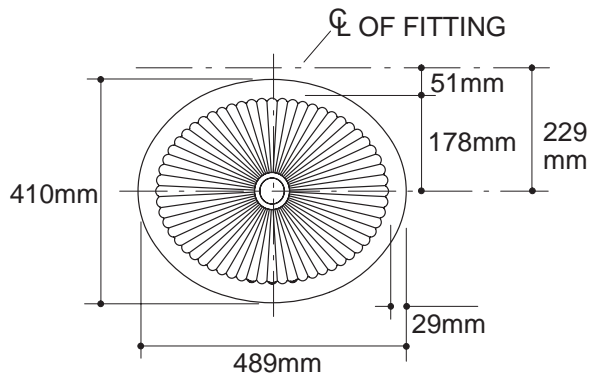
**Ordering Information**

Applicable product:		
432 x 356mm lavatory	K-2219	shown
432 x 356mm glazed underside	K-2219-G	shown
Accessories/hardware:		
Trap	K-9018	recommended

**Product Information**

Fixture*:		basin area	water depth
Lavatory		432 x 356mm	162mm
Outlet	Ø44mm		
* Approximate measurements for comparison only.			

Included Components:	
Basin clamp assembly	52047
Adjustable linkage	40372
Cutout template	101085-7



NOTE: WATERPROOF UNPROTECTED OVERHANG AREA ON THE UNDERSIDE OF WOOD COUNTER.

**Roughing-In Notes**

Fixture dimensions are nominal and conform to tolerances in ASME Standard A112.19.2M.

(T) Pop-up drain 335mm, grid drain 313mm.

(S) 356mm (Based on 305mm riser which may require cutting).

Supplied basin clamp assemblies require 25mm minimum countertop thickness. Installer must supply anchors for thinner countertops.