

### Ordering Information

Applicable product:		
Left outlet	K-1533	shown
Right outlet	K-1532	not shown
Drain	K-11660	recommended
Focal™ shower door or Forum™ shower door or Helios™ shower door	K-701018 or K-703020 or K-704010	recommended

### Product Information

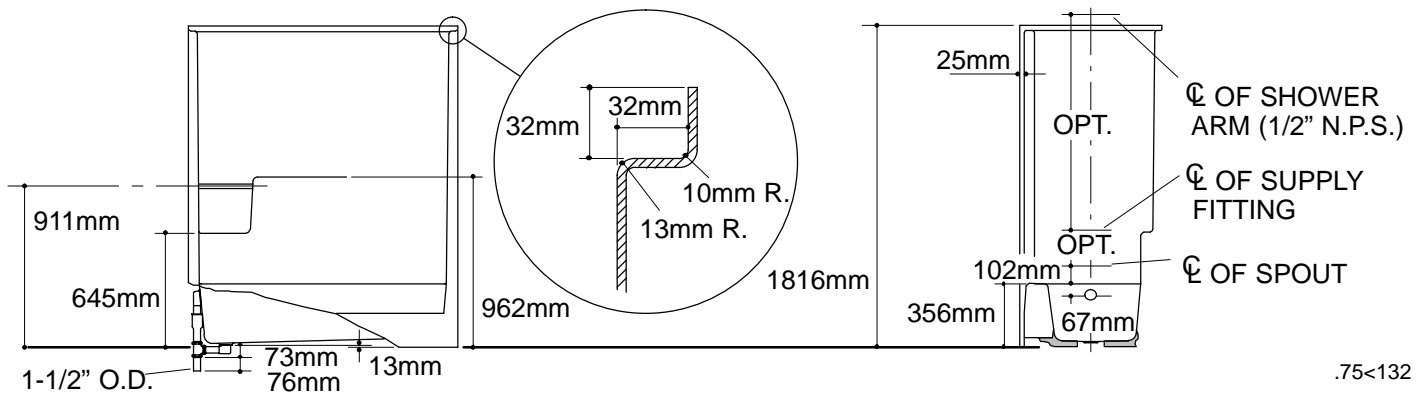
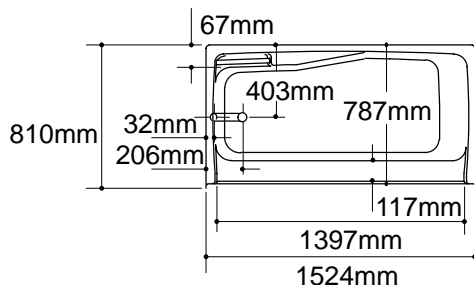
Fixture*:	basin area	top area	weight
Bathing well	1219 x 559mm	1422 x 610mm	43 Kg.
	water depth	capacity	
To overflow	229mm	132 litres	
Configuration			1-piece
* Approximate measurements for comparison only.			

### Installation Notes

Refer to installation instructions included with fixture before beginning installation.

Fixture not drilled for supply fittings.

Shimming may be required to level fixture.



Roughing-In Notes
Fixture conform to ANSI Standard Z124.2. All dimensions are nominal.
No change in measurements if connected with drain illustrated.
Stud opening tolerance (+ 6mm – 0mm). When fire rated wall is specified, dimensions are to the inside of the wall board. Some shimming between stud frame and fixture may be required.