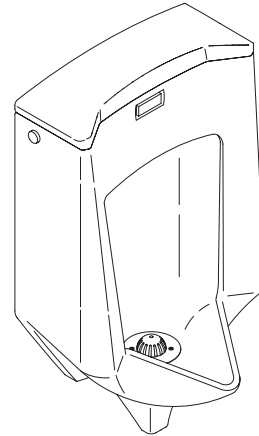


# K-4915

ADA



## FEATURES

- Vitreous china
- Washout
- 0.5 gallon flush
- Touchless™ electronic flush valve (battery operated)
- ADA compliant when rim is mounted no higher than 17" from finished floor
- Includes tank cover and tank cover locks

## CODES/STANDARDS APPLICABLE

Specified model meets or exceeds the following:

- ADA when rim is mounted no higher than 17" from finished floor
- ASME/ANSI A112.19.2M
- ASME/ANSI A112.19.6M
- CABO/ANSI A117.1
- Energy Policy Act of 1992 (EPACT)
- IAPMO/UPC
- States of Massachusetts, New York, & Texas

## COLORS/FINISHES

- 0 White
- Other Refer to Fixtures Price Book for additional colors

## SPECIFIED MODEL:

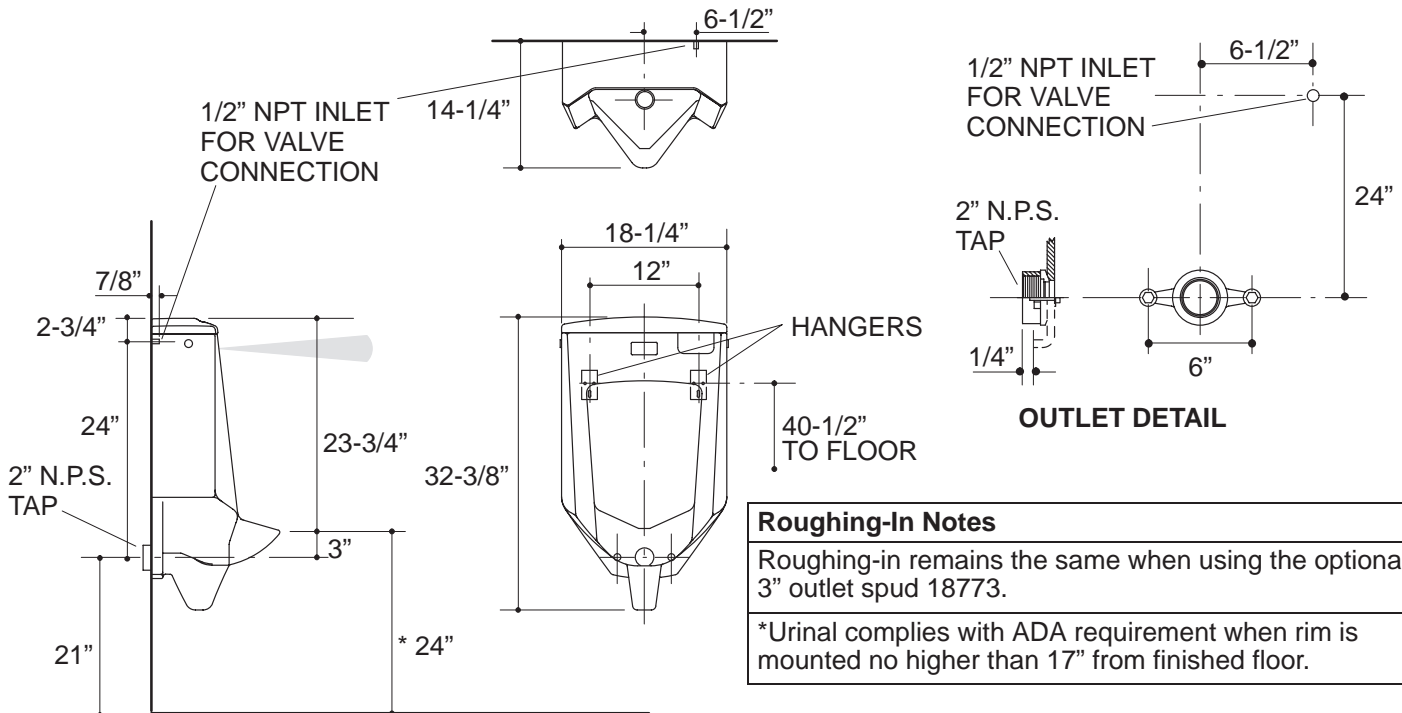
Model	Description	Colors/Finishes	
K-4915	Touchless urinal	<input type="checkbox"/> 0 White	<input type="checkbox"/> Other_____

## PRODUCT SPECIFICATION:

The washout urinal shall be made of vitreous china. Urinal shall be 0.5 gallon flush. Urinal shall have integral Touchless™ electronic flushing valve (battery operated). Urinal shall be ADA compliant when rim is mounted no higher than 17" from finished floor. Urinal shall include K-4916 tank cover and tank cover locks. Urinal shall be Kohler Model K-4915-\_\_\_\_\_.

## PRODUCT INFORMATION

ADA compliant.	
Fixture:	
Configuration	Rear spud
Gallons per flush	1/2 gallon
Inlet size	1/2" N.P.T.
Included Components:	
Stop Valve Assembly	74105
2" outlet spud	18766
Strainer	85062
Hanger (2 required)	64512
Flush valve	74110
Tank cover locks (pr.)	82372
4 alkaline "C" cell batteries	



**Roughing-In Notes**

Roughing-in remains the same when using the optional 3" outlet spud 18773.

\*Urinal complies with ADA requirement when rim is mounted no higher than 17" from finished floor.

.75<116

## PRODUCT DIAGRAM