

Ordering Information

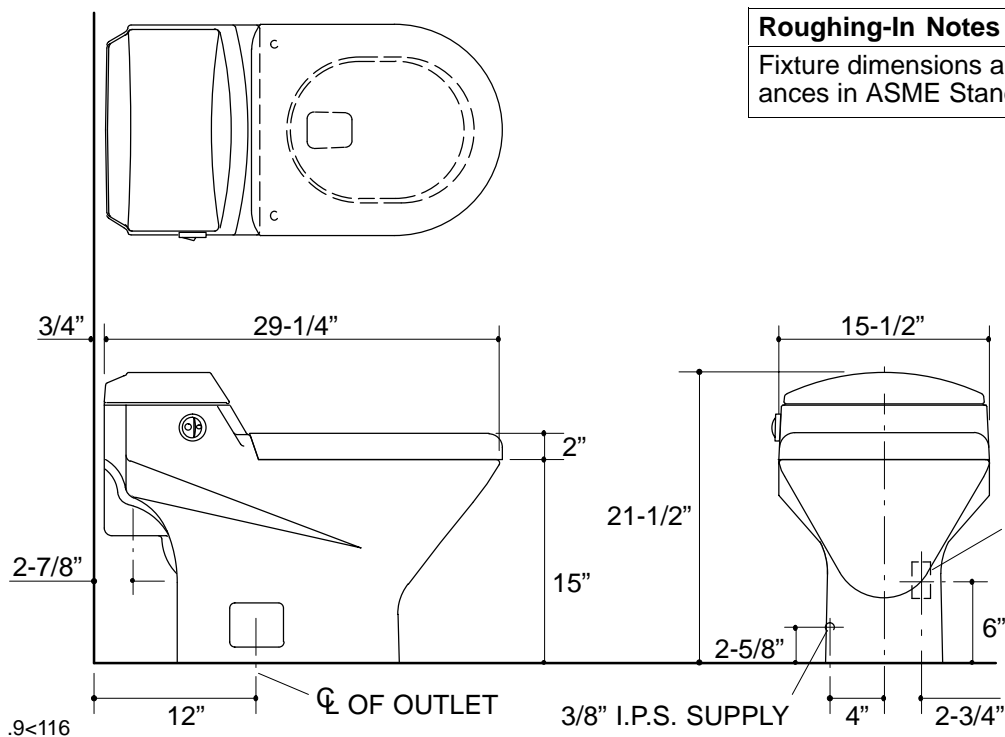
Accessories/hardware:		
Floor bolts (pr.)	21401	recommended
3/8" I.P.S. supply, 3/8" riser tube	K-7637	recommended

Requirements Electrical Service

Dedicated circuit required, protected with Class A Ground-Fault Circuit-Interrupter (GFCI):	
Receptacle	120 V., 15 A, 60 Hz

Product Information

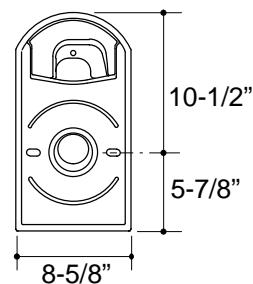
Fixture:				
Configuration	1-piece, elongated			
Gallons per flush	1.1/1.6 gallons			
Passageway	2-1/4"			
Water depth from rim	5-1/2"			
Seat post hole centers	12-5/8"			
Minimum running pressure required	15 p.s.i.			
Included Components:				
Seat	82923			
Tank cover	82383			
Twin Touch™ actuator	K-9433			
Bolt cap accessory pack	42764			
Tank accessory pack	52265			
Pump	HP	V	Hz	A
60 Hz	1/5	120	60	8.5



Roughing-In Notes

Fixture dimensions are nominal and conform to tolerances in ASME Standard A112.19.2M.

FRONT OF BOWL



ELECTRICAL SERVICE REQUIREMENTS, 120 V., 15 A., 60 Hz, RECEPTACLE PROTECTED BY CLASS A GFCI