

Ordering Information

Accessories/hardware:		
Jet trim kit	K-9694	included
Drain	K-7161-AF	recommended
Apron	K-1279	optional
Vinyl tiling-in bead*	K-1177	optional
*Use K-1177 vinyl bead when wall material contacts any top surface of bath.		

Required Electrical Service

Dedicated circuit required, protected with Class A Ground-Fault Circuit-Interrupter (GFCI):	
Pump/control	120 V., 15 A, 60 Hz

Product Information

Fixture*:	basin area	top area	weight
Bathing well	42" x 17"	55" x 25"	93 lbs.
	water depth	capacity	
To overflow	12-1/8"	50 gal.	

* Approximate measurements for comparison only.

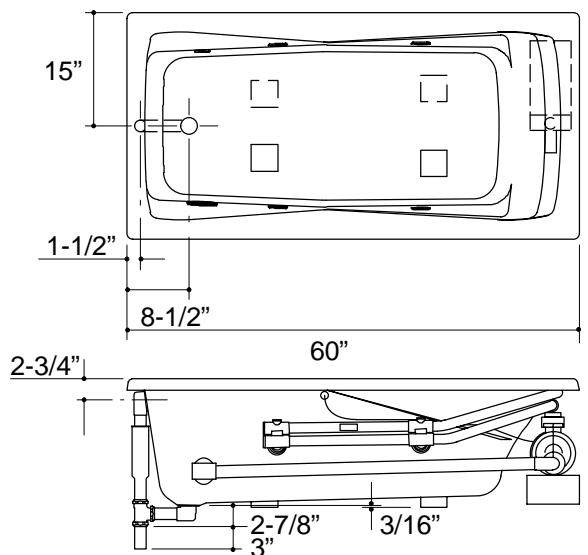
Pump:	HP	V	Hz	A
1-speed	3/4	120	60	10.5

Installation Notes

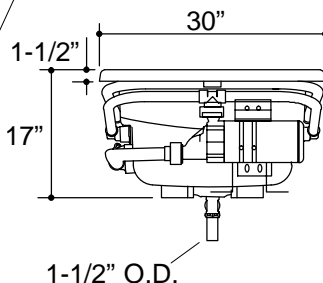
Refer to installation instructions included with fixture before beginning installation.

Each pump is supplied with a grounding-type plug-in cord. Locate the outlet behind the whirlpool, and within 24" of the pump.

The apron must be installed before the finish floor and wall materials are installed.



PUMP/CONTROL ACCESS (IF APRON IS NOT USED)



Roughing-In Notes

Fixture conforms to ANSI Standard Z124.1. All dimensions are nominal.

No change in measurements if connected with drain illustrated.

Cut-out 58-1/2" x 28-1/2"

Minimum access panel:

Pump/control 20" W x 15" H required

1.25>132