

Ordering Information

Accessories/hardware:		
Alcove footbath, LH	K-1015	required
Alcove footbath, RH	K-1016	
Corner footbath	K-1005	
Alcove enclosure	K-5161	required
Corner enclosure	K-5162	
*Custom tower pump kit	K-1001	required
*Custom drain	K-7179	recommended
*For custom component installation.		

Product Information

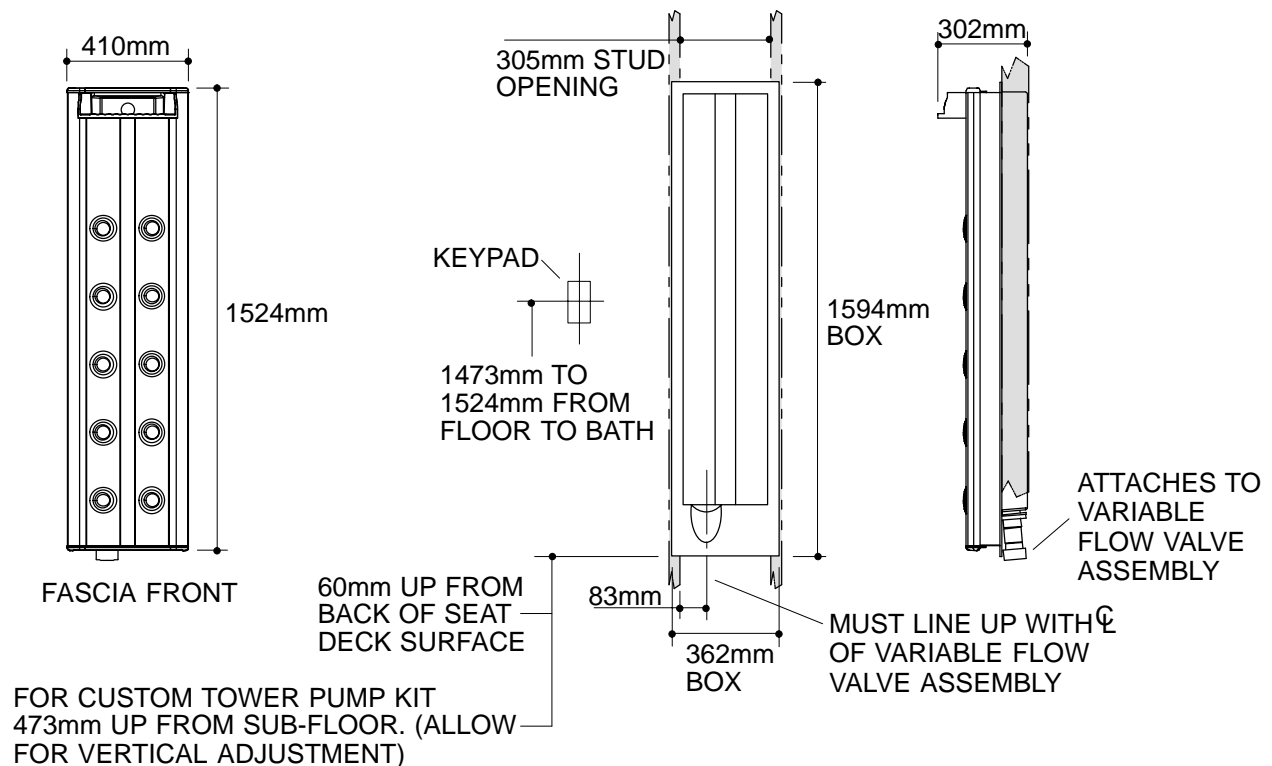
Fixture:	
Weight	23 Kg.

Installation Notes

Refer to installation instructions included with fixture or custom tower pump kit before beginning installation.

Locate keypad within the boundaries of the enclosure. 3048mm cable is included.

The BodySpa with K-5161/K-5162 is not designed for steam applications, and may not perform satisfactorily as a steam unit.



1.25>132