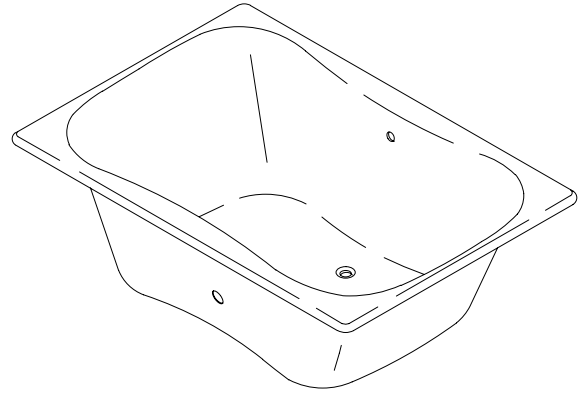


FEATURES

- 60" x 42" x 21"
- Acrylic
- 1 hp variable flow pump, integral heater and suction housing
- Pump at left or right
- Outlet at center
- Recirculating pump delivers flows up to 60 gallons per minute of powerful hydro-massage
- Order one Tower, Bath/Footbath, and Enclosure for each complete BodySpa installation

K-1479, K-1481



CODES/STANDARDS APPLICABLE

Specified model meets or exceeds the following:

- ANSI Z124.1
- ASME/ANSI A112.19.7M
- IAPMO/UPC
- Underwriters Laboratories (UL)

COLORS/FINISHES

- 0 White
- Other Refer to Fixtures Price Book for additional colors

Accessories:

- CP Polished Chrome
- PB Polished Brass
- SH Bright Silver
- BH Bright Brass
- Other Refer to Faucets Price Book for additional finishes

SPECIFIED MODEL:

Model	Description	Colors/Finishes	
K-1479	5' bath with pump at left	<input type="checkbox"/> 0 White	<input type="checkbox"/> Other_____
K-1481	5' bath with pump at right	<input type="checkbox"/> 0 White	<input type="checkbox"/> Other_____

Required Accessories			
K-1040-CP	BodySpa 6-Jet Tower (Polished Chrome trim) OR	<input type="checkbox"/> 0 White <input type="checkbox"/> Other_____	
K-1040-PB		BodySpa 6-Jet Tower (Polished Brass trim) <input type="checkbox"/> 0 White <input type="checkbox"/> Other_____	
K-9759-L	Bypass door	<input type="checkbox"/> SH	<input type="checkbox"/> BH
Recommended Accessories			
K-7160-TF	Drain	<input type="checkbox"/> CP	<input type="checkbox"/> PB
K-1097	Coralais Rite-Temp OR	<input type="checkbox"/> CP	<input type="checkbox"/> PB
K-1096		Coralais Two-handle	<input type="checkbox"/> CP

PRODUCT SPECIFICATION:

The bath shall be 60" in length, 42" in width, and 21" in height. Bath shall be made of acrylic. Bath shall have 1 hp variable flow pump, integral heater, and suction housing. Bath shall have a pump at left or right. Bath shall outlet at center. Bath recirculating pump shall deliver flows up to 60 gallons per minute of powerful hydro-massage. Bath shall be configured with BodySpa 6-Jet Tower, and BodySpa Bypass Door. Bath shall be Kohler Model K-_____-_____.

