

Ordering Information

Accessories/hardware:		
Bottom basin rack	K-3191	optional
Wire basket	K-3279	optional
Cutting board/colander	K-3292	optional
Duostrainer® sink strainer	K-8801	optional
Stainless steel sink strainer	K-8813	optional
Stainless steel sink strainer	K-8814	optional

Product Information

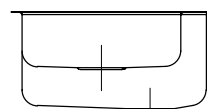
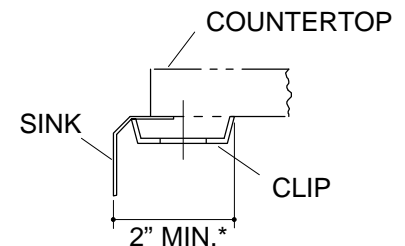
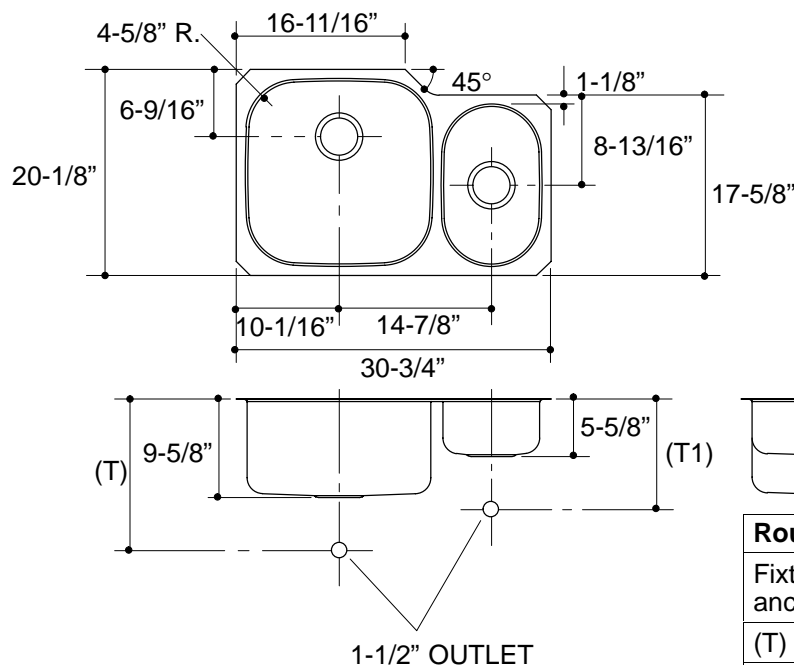
Fixture*:		basin area	water depth
Sink, left		18" x 18"	9-1/2"
Sink, right		9" x 15"	5-1/2"
Outlet	3-5/8" D.		

* Approximate measurements for comparison only.

Included Components:	
Hardware kit	91915
Cutout template	114539-7

Installation Notes

Refer to installation instructions included with fixture before beginning installation.



Roughing-In Notes

Fixture dimensions are nominal and conform to tolerances in ASME/ANSI Standard A112.19.3M.

(T) Drain typically 15".

(T1) Drain typically 11".

* Allow clearance around sink rim for clip attachment.

.85<116