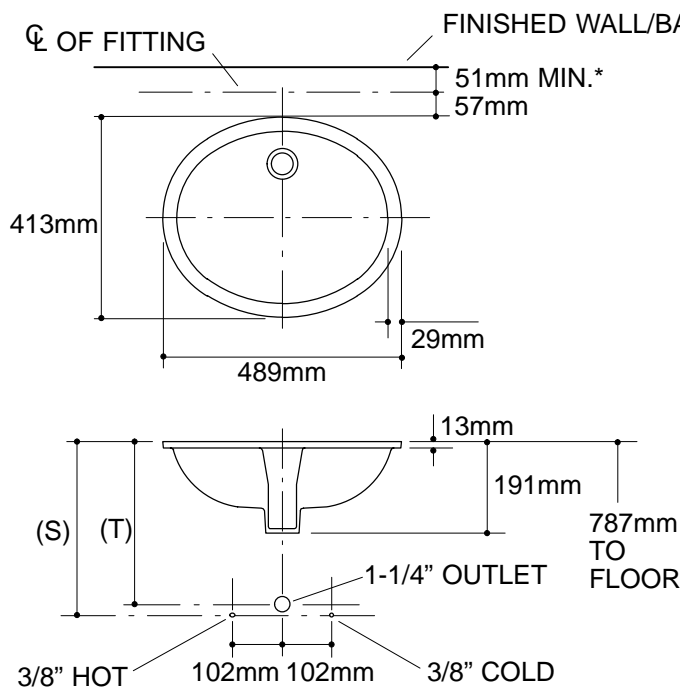


Ordering Information

Trap	K-8998	recommended
------	--------	-------------

Product Information

Fixture*:		basin area	water depth
Lavatory		432 x 356mm	102mm
Outlet	Ø44mm		
* Approximate measurements for comparison only.			
Included Components:			
Cutout template			114752-7



Roughing-In Notes
Fixture dimensions are nominal and conform to tolerances in ASME Standard A112.19.2M.
(T) Pop-up drain 333mm, grid drain 311mm.
(S) 356mm (Based on 305mm riser which may require cutting).
*For Bravura™ widespread faucet: 64mm MIN.

116